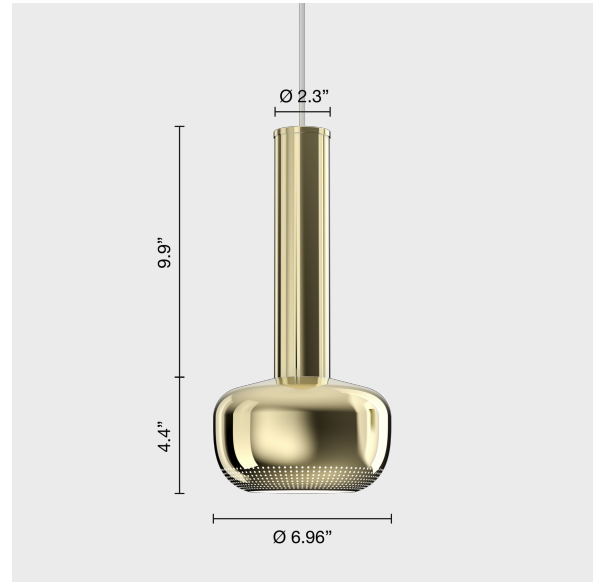


VL 56 PENDANT

Project name:

Project type:

Notes:



Design

Vilhelm Lauritzen

Variant options

Color

- High lustre chrome plated
- Polished brass

Light source

E26

Weight

Min: 3.307 lbs Max: 3.527 lbs

Finish

High lustre chrome plated, Polished brass

Light distribution diagrams

For the full data set on all variants, see louis Poulsen.com.

Cartesian|solux|Polar



□ □ □

Information

Please note that the brass surfaces are untreated. This means that the surface will change over time and develop a patina.

Variant options

Color

-  Polished brass
-  High lustre chrome plated

Light source

- E26
- E26

Variant number

- 5741939927
- 5741939972