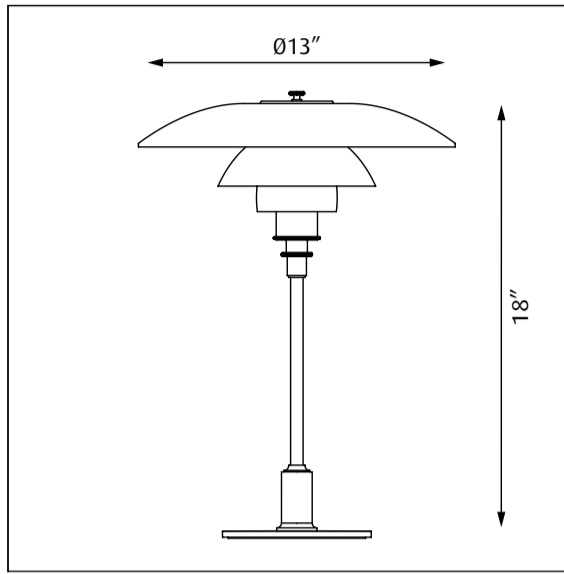



PH 3½-2½ Glass Table

Design Poul Henningsen



27362-11

Light source	Voltage	Weight	Electric shock protection	Ingress protection
1/10W LED/G16.5/ candelabra 	120V	7.2 Lbs	Cl. I	IP20

Recommended cleaning substances:

Wipe off dust with a dry, soft cloth. Remove greasy spots etc. with a soft cloth dampened in lukewarm water (<122° F/ 50° C) with a mild detergent. Never use detergents containing abrasives and solvents.

Mouth-blown glass in specific: Must be cleaned in cold condition. All water must be evaporated before the lamp is lit again. The glassware in this luminaire is handcrafted. To ensure the intended lighting comfort, our glassware is blown. The process may generate air bubbles in the glass, just as its thickness may vary.

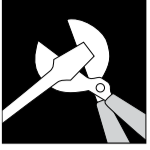
Regarding black metallised: Black metallised is a porous surface coating, which becomes matt in time. The surface can be polished with caution using normal thin sealing wax for metal or lacquered surfaces, or similar products. Do not use thick polish products. Follow the instructions given by the manufacturer.

Warning: Scouring powder and similar substances will scratch surfaces.

All installation is subject to local code and jurisdiction.



Louis Poulsen A/S disclaims any liability if a half mirror light bulb is used. This type of light source reflects the heat and may damage/melt parts of the fixture.



! ID NUMBER: _____
Please register IDnumber at
www.louispoulsen.com

