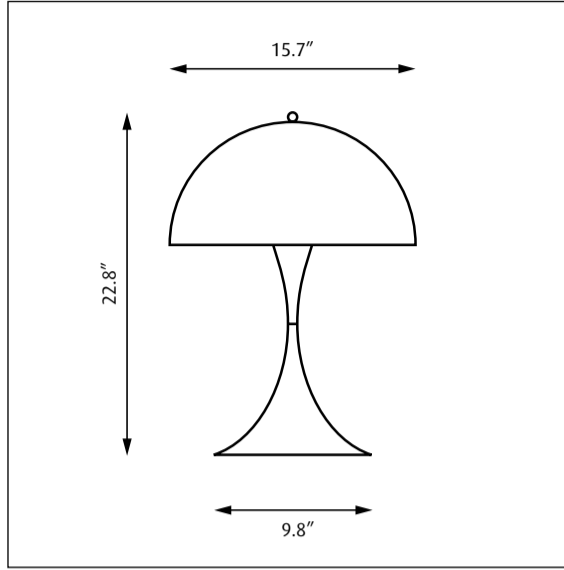



Panthea Table

Design Verner Panton



24090-11

Light source	Voltage	Weight	Electric shock protection	Ingress protection
1/15W LED/A-19/medium 	Max 120V	7,7 Lbs	Cl. I	IP 20, dry location

Recommended cleaning substances:

Wipe off dust with a dry, soft cloth. Remove greasy spots etc. with a soft cloth dampened in lukewarm water (<122° F/ 50° C) with a mild detergent. Never use detergents containing abrasives and solvents.

Warning: Scouring powder and similar substances will scratch surfaces.

All installation is subject to local code and jurisdiction.



Louis Poulsen A/S disclaims any liability if a half mirror light bulb is used. This type of light source reflects the heat and may damage/melt parts of the fixture.



8mm Nut Driver

24090-11

