

LITTLE PEOPLE RECTANGULAR HANGING LAMP

Installation Instructions



IMPORTANT SAFETY INSTRUCTIONS

When installing or using lamps and /or other lighting accessories, basic safety precautions must be followed, including the following:

1. Read all instructions before attempting any part of the installation. If you do not understand the instructions, do not attempt any installation. Save these instructions.
2. Install and mount lamps only on structurally sound surfaces.
3. Do not install any lamp closer than 6" from any curtains, exotic veneer or similar combustible materials.
4. To reduce the risk of fire, electric shock and potential damage to the lamp, do not attempt to connect motors, power tools, extension cords, appliances, and the like on the branch circuit serving the lamp.
5. Disconnect electrical power circuit before adding to or changing the configuration of the lamp.
6. A certified electrician should install this product to avoid any untoward incident.

CARE AND MAINTENANCE

- LITTLE PEOPLE shades should be regularly dusted using a soft bristled brush.
- Work in sections from the top to the bottom of the shade, use long sweeping movements to remove the dust..
- Do not brush too vigorously to avoid snagging and damaging the weaving.
- Never use water to clean the outer surface of a paper shade.
- If the little people product has a paper shade use a soft cloth to wipe the inner surface of the shade.

Parts Included:

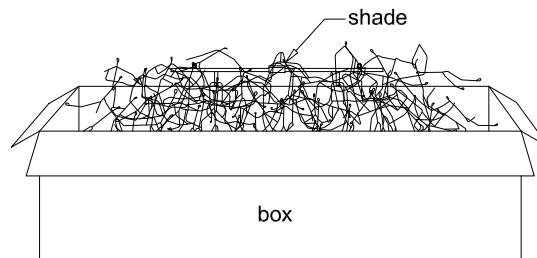
- 1 pc. Little people rectangular hanging lamp
- 2 pcs. bolt
- 2 pcs. hex. nut
- 2 pcs. cap nut
- 2 pcs. screw

NOTE:

- *Observe extra caution in handling and moving the lamp.
- *Lamp may require two or more persons to mount and assemble.

Steps in Installation:

- 1.1 Take out the item from the box & remove the ehwa foam.



- 2.1 Unscrew the cap nut and remove the metal ceiling bracket. See blow-up detail A.

- 2.2 With screws, mount the metal ceiling bracket on the ceiling.

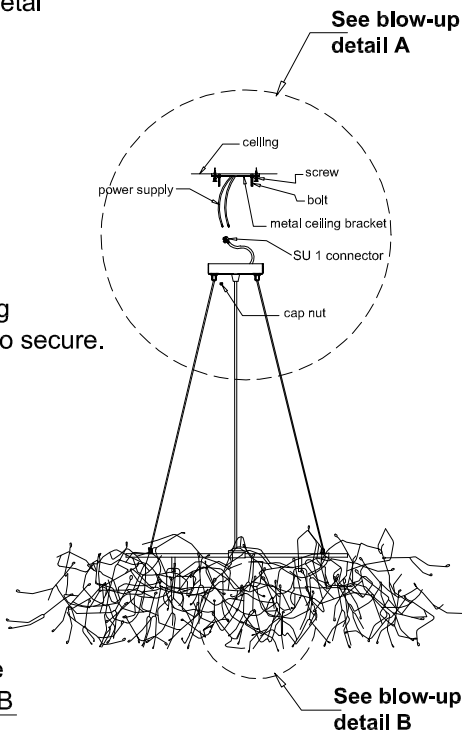
- 2.3 Connect the royal cord to the power supply w/ the SU1 connector. Make sure wire is firmly connected & locked w/ the SU1 screws.

- 2.4 Adjust metal cable length by unscrewing lock found at the tip of the cable. Lock to secure.

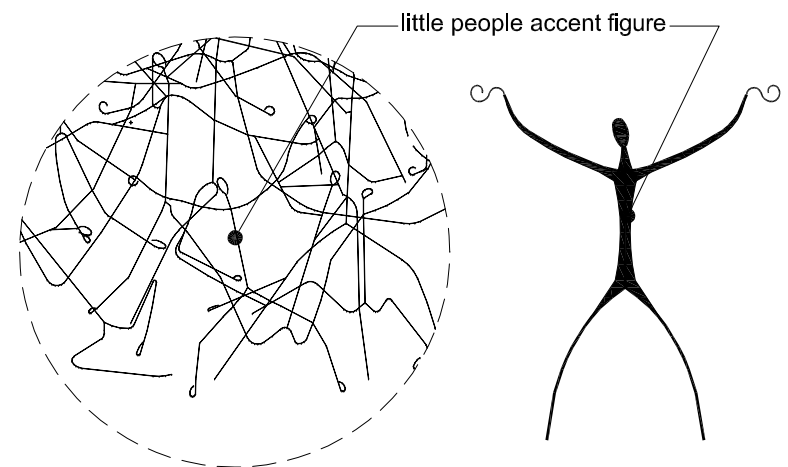
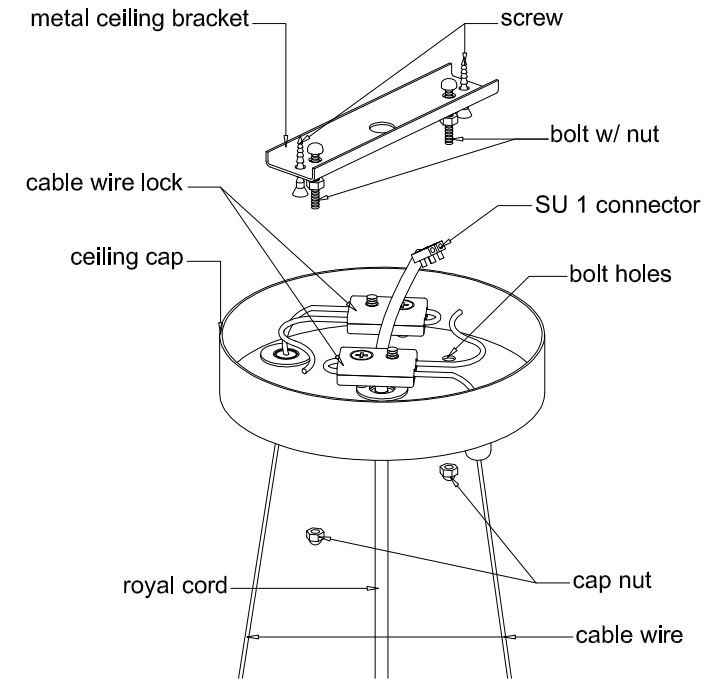
- 2.5 Mount the metal ceiling cap flat on the ceiling. The bolt holes on the ceiling cap should align to the corresponding bolts from the metal ceiling bracket.

- 2.6 Tighten each cap nut.

- 3.0 Reshape little people accent figure and tie to assemble. Shape and location are client's preference. See blow-up detail B



BLOW-UP DETAIL A



BLOW-UP DETAIL B

NOTE:

- UL Connection = white wire to neutral / black wire to live.
- CE Connection = blue wire to neutral / brown wire to live.