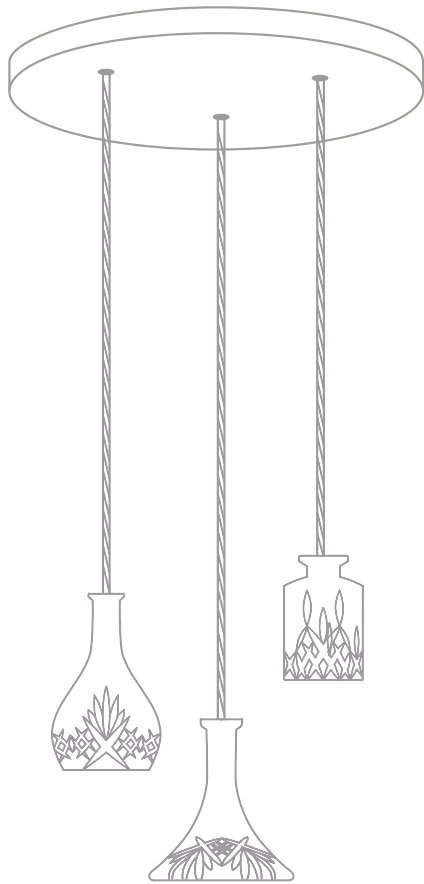


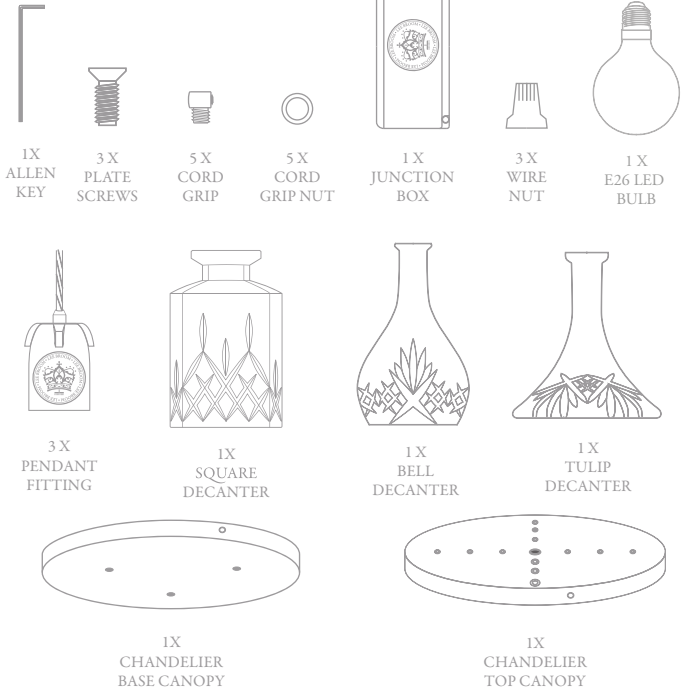


# LEE BROOM



## DECANTER CHANDELIER

### CONTENTS



### ATTENTION

- THE DECANTER CHANDELIER MUST BE INSTALLED BY A PROFESSIONAL, QUALIFIED ELECTRICIAN.
- MINIMUM OF TWO PEOPLE REQUIRED FOR INSTALLATION.
- ENSURE POWER SUPPLY IS DISCONNECTED PRIOR TO INSTALLATION.
- THIS PRODUCT IS FOR INTERIOR USE ONLY AND SHOULD BE INSTALLED IN A DRY ENVIRONMENT.
- PLEASE USE A TRAILING EDGE DIMMER SWITCH WHICH IS SUITABLE FOR THE WATTAGE OUTPUT.
- WHEN SWITCHED ON THE CRYSTAL MAY BECOME HOT.
- CAUTION HEAVY PRODUCT APPROX. WEIGHT 22LBS.
- BULBS ARE SUPPLIED. LEE BROOM RECOMMEND A 2W E26 2700K DIMMING BULB.



120W TOTAL  
MAXIMUM  
WATTAGE  
(3 X 40W)

THIS  
PRODUCT  
MUST BE  
EARTHED

110/130V  
50 - 60HZ

E26  
LAMP  
HOLDER

### CARE AND CLEANING

- ONLY ATTEMPT TO CLEAN WHEN THE DECANTER CHANDELIER IS SWITCHED OFF.
- PLEASE ALLOW A SUITABLE COOLING PERIOD BEFORE ATTEMPTING TO CLEAN THE DECANTER CHANDELIER OR REPLACING THE LIGHT BULB.
- ONLY USE A NON-ABRASIVE, SOFT, DRY CLOTH WHEN CLEANING THE CRYSTAL.

# LEE BROOM

LONDON · NEW YORK

93 RIVINGTON STREET, LONDON, EC2A 3AY +44 (0)20 7820 0742  
34 GREENE STREET, NEW YORK, NY10013 +1 212 804 8477

WWW.LEEBROOM.COM INFO@LEEBROOM.COM

ASSEMBLY - MUST BE INSTALLED BY A PROFESSIONAL, QUALIFIED ELECTRICIAN

1. UNSCREW THE X3 SCREWS FROM THE SIDE OF THE CEILING CANOPY USING THE PROVIDED ALLEN KEY.
2. SEPARATE THE CHANDELIER BASE CANOPY FROM THE TOP CANOPY.
3. SCREW CORD GRIPS INTO THE THREE HOLES ON THE INSIDE OF THE BASE CANOPY. FIX INTO POSITION BY SCREWING THE CORD GRIP NUTS TO THE UNDERSIDE OF THE BASE CANOPY.
4. FEED PENDANT CABLES THROUGH DECANTER SHADES.
5. SET PENDANT LENGTHS BY THREADING CABLE THROUGH CORD GRIPS ON BASE CANOPY.
6. SECURE PENDANT LENGTHS BY LOCKING THE CABLE GRIPS.
7. TERMINATE MAINS CONNECTION WIRES AT SUITABLE JUNCTION BOX OR BESA BOX.
8. CONNECT ALL DECANTER PENDANTS HOT, NEUTRAL AND EARTH WIRES INTO THE SUITABLE POINTS IN THE WIRE NUTS PROVIDED.
9. FEED MAINS WIRE THROUGH THE CENTRAL HOLE OF THE TOP CANOPY.
10. FIT TOP CANOPY TO CEILING. IT IS RECOMMENDED THAT THE CANOPY IS FITTED DIRECTLY INTO A CEILING JOIST. DIFFERENT CEILINGS REQUIRE DIFFERENT TYPES OF FITTINGS ALWAYS CHOOSE SCREWS AND RAWL PLUGS THAT ARE APPROPRIATE FOR THE SURFACE MATERIAL.
11. LIFT THE BASE CANOPY WITH THE DECANTER PENDANTS ATTACHED UP TO THE TOP CANOPY. (THIS REQUIRES X2 PEOPLE)
12. CONNECT THE TERMINATED MAINS WIRES TO WIRE NUTS. ONCE ALL WIRES ARE CONNECTED FIT WIRE NUTS INSIDE THE JUNCTION BOX.
13. A) ALIGN THE SCREW HOLES ON THE SIDE OF THE BOTTOM CANOPY WITH THE SIDE HOLES ON THE TOP CANOPY.  
B) ONCE IN POSITION USE ALLEN KEY SCREWS TO FIX.
14. FIT BULB INTO LAMPHOLDER (40W MAX). FOR REPLACEMENT LEDS GO TO WWW.LEEBROOM.COM.
15. TO CHANGE THE LIGHT BULBS ENSURE THE POWER TO THE DECANTER CHANDELIER IS SWITCHED OFF. SLIDE THE DECANTER SHADE UP THE WIRE TO ACCESS THE LAMP HOLDER (THIS REQUIRES TWO PEOPLE).
16. LEE BROOM RECOMMEND THE FOLLOWING DROP HEIGHTS IN INCHES.

