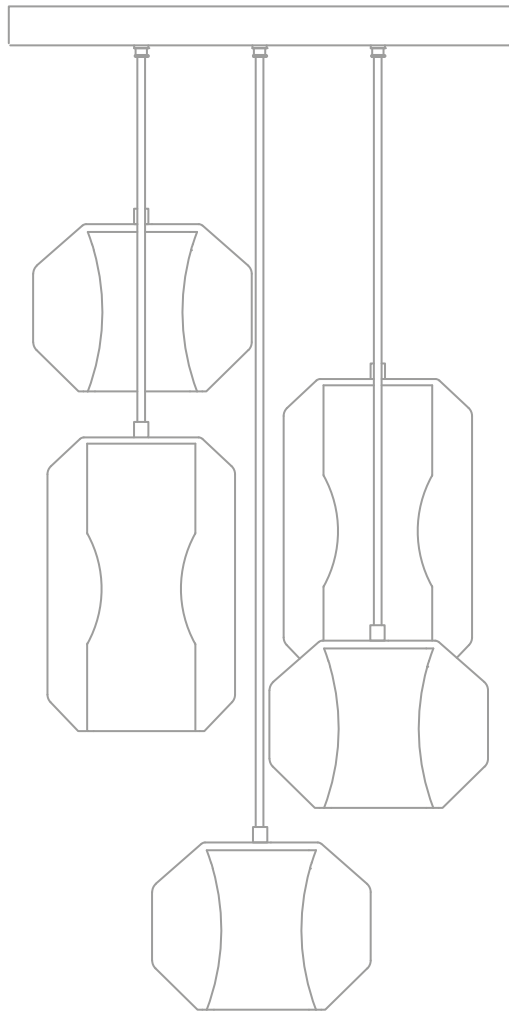


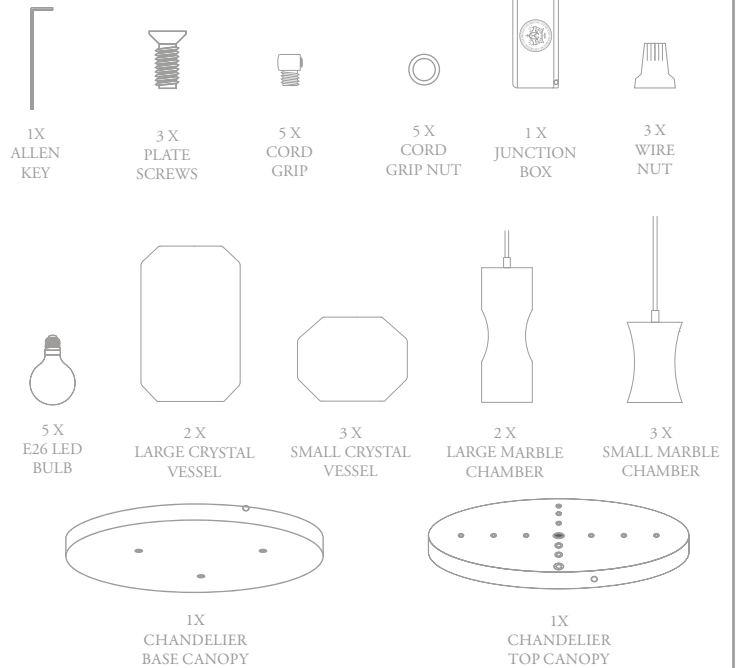


LEE BROOM



CHAMBER LIGHT CHANDELIER

CONTENTS



ATTENTION

- THE CHAMBER CHANDELIER MUST BE INSTALLED BY A PROFESSIONAL, QUALIFIED ELECTRICIAN.
- MINIMUM OF TWO PEOPLE REQUIRED FOR INSTALLATION.
- ENSURE POWER SUPPLY IS DISCONNECTED PRIOR TO INSTALLATION.
- THIS PRODUCT IS FOR INTERIOR USE ONLY AND SHOULD BE INSTALLED IN A DRY ENVIRONMENT.
- PLEASE USE A UNIVERSAL LEADING EDGE DIMMER SWITCH WHICH IS SUITABLE FOR THE WATTAGE OUTPUT.
- WHEN SWITCHED ON THE UNIT MAY BECOME HOT.
- CAUTION HEAVY PRODUCT APPROX. WEIGHT 38 LBS.
- BULBS ARE NOT SUPPLIED.

	200W TOTAL MAXIMUM WATTAGE (5 X 40W)	THIS PRODUCT MUST BE EARTHED	110/130V 50-60 HZ	E26 LAMP HOLDER
--	---	---------------------------------------	----------------------	-----------------------

CARE AND CLEANING

- ONLY ATTEMPT TO CLEAN WHEN CHAMBER CHANDELIER IS SWITCHED OFF.
- PLEASE ALLOW A SUITABLE COOLING PERIOD BEFORE ATTEMPTING TO CLEAN THE CHAMBER LIGHT OR REPLACING THE LIGHT BULB.
- ONLY USE A NON-ABRASIVE, SOFT, DRY, CLOTH WHEN CLEANING THE CHAMBER CHANDELIER.

LEE BROOM

LONDON · NEW YORK

93 RIVINGTON STREET, LONDON, EC2A 3AY +44 (0)20 7820 0742
34 GREENE STREET, NEW YORK, NY10013 +1 212 804 8477

WWW.LEEBROOM.COM INFO@LEEBROOM.COM

ASSEMBLY - MUST BE INSTALLED BY A PROFESSIONAL, QUALIFIED ELECTRICIAN

1. UNSCREW THE X3 SCREWS FROM THE SIDE OF THE CEILING CANOPY USING THE PROVIDED ALLEN KEY.
2. SEPARATE THE CHANDELIER BASE CANOPY FROM THE TOP CANOPY.
3. SCREW CORD GRIPS INTO THE FIVE HOLES ON THE INSIDE OF THE BASE CANOPY. FIX INTO POSITION BY SCREWING THE CORD GRIP NUTS TO THE UNDERSIDE OF THE BASE CANOPY.
4. FEED PENDANT CABLES THROUGH THE CRYSTAL VESSEL.
5. SET PENDANT LENGTHS BY THREADING CABLE THROUGH CORD GRIPS ON BASE CANOPY.
6. SECURE PENDANT LENGTHS BY LOCKING THE CABLE GRIPS.
7. TERMINATE MAINS CONNECTION WIRES AT SUITABLE JUNCTION BOX OR BESA BOX.
8. CONNECT ALL CHAMBER PENDANTS HOT, NEUTRAL AND EARTH WIRES INTO THE SUITABLE POINTS IN THE WIRE NUTS.
9. FEED MAINS WIRE THROUGH THE CENTRAL HOLE OF THE TOP CANOPY.
10. FIT TOP CANOPY TO CEILING. IT IS RECOMMENDED THAT THE CANOPY IS FITTED DIRECTLY INTO A CEILING JOIST. DIFFERENT CEILINGS REQUIRE DIFFERENT TYPES OF FITTINGS ALWAYS CHOOSE SCREWS AND RAWL PLUGS THAT ARE APPROPRIATE FOR THE SURFACE MATERIAL.
11. LIFT THE BASE PLATE WITH THE CHAMBER LIGHTS ATTACHED UP TO THE TOP PLATE. (THIS REQUIRES X2 PEOPLE)
12. CONNECT THE TERMINATED MAINS WIRES TO WIRE NUTS. ONCE ALL WIRES ARE CONNECTED FIT WIRE NUTS INSIDE THE JUNCTION BOX.
13. A) ALIGN THE SCREW HOLES ON THE SIDE OF THE BOTTOM CANOPY WITH THE SIDE HOLES ON THE TOP CANOPY.
B) ONCE IN POSITION USE ALLEN KEY SCREWS TO FIX.
14. FIT AN E26 BULB IN LAMP HOLDER (40W MAX).
15. TO CHANGE THE LIGHT BULBS ENSURE THE POWER TO THE CHANDELIER IS SWITCHED OFF. LEE BROOM RECOMMEND AN E26 2700K LED DIMMABLE BULB.
16. LEE BROOM RECOMMEND THE FOLLOWING DROP HEIGHTS IN INCHES.

