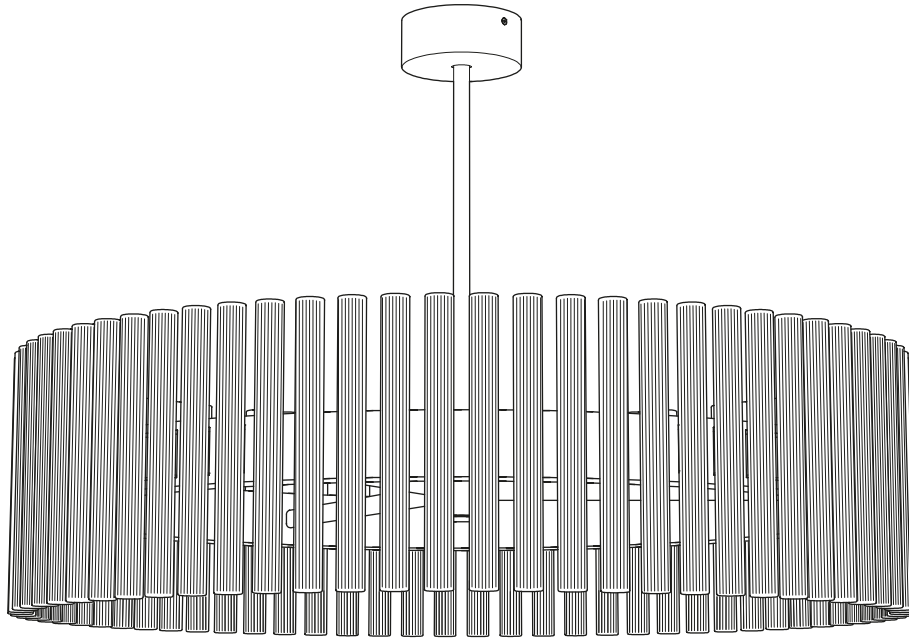


# LEE BROOM

## AURORA

AUR0120/ AUR0132/ AUR0145/ AUR0160/ AUR0172

---



### TECHNICAL

---

110-130V ~ 60Hz; Dimmable 20% - 100% with selected dimmers

Your Aurora Chandelier will include one or a combination of the following:

AURORA RING 1 (AUR0120): GUI8 MAX 20 x 4W LED  
AURORA RING 2 (AUR0132): GUI8 MAX 32 x 4W LED  
AURORA RING 3 (AUR0145): GUI8 MAX 45 x 4W LED  
AURORA RING 4 (AUR0160): GUI8 MAX 60 x 4W LED  
AURORA RING 5 (AUR0172): GUI8 MAX 72 x 4W LED



For more information, please contact:

---

US & Canada Inquiries: +1 212 804 8477 - [sales@leebroom.com](mailto:sales@leebroom.com)

UK & Global Inquiries: +44 207 820 0742 - [info@leebroom.com](mailto:info@leebroom.com)

### CARE AND CLEANING

---

- Only clean when Aurora is switched off.
- Please allow a suitable cooling period before cleaning.
- Only use a non-abrasive, soft, dry cloth when cleaning Aurora.



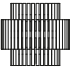

ATTENTION! BEFORE YOU START

FOR SAFETY PLEASE READ THESE INSTRUCTIONS CAREFULLY BEFORE YOU COMMENCE INSTALL AND RETAIN THEM FOR FUTURE REFERENCE.

- This product has been designed with the highest concern for safety. However, like any product, if not installed correctly, has the potential for accidents. To prevent accidents, be sure to follow these guidelines.
- Aurora must be installed by a qualified electrician.
- Install according to latest NEC wiring regulations.
- Minimum of 3 people required for installation.
- Ensure all mains power supply wires are disconnected prior to installation.
- This product is for interior use only and should be installed in a dry environment only.
- To prevent damaging the Aurora finish, wear the provided cotton gloves at all times when handling all parts.
- Depending on the Aurora configuration, this product potentially can be large and heavy. To avoid muscle strain or injury, use proper lifting techniques when moving this product.
- Heavy! - We recommend locating this product where it can be fitted to a timber joist or reinforced ceiling. If ceiling is plaster or concrete, suitable specialist fixings must be used.
- We recommend installing this product with a dimmer. Please see Wattages chart below to ensure dimmer and electrical system are sufficient for your specific Aurora Chandelier.
- When switched on Aurora may become hot.



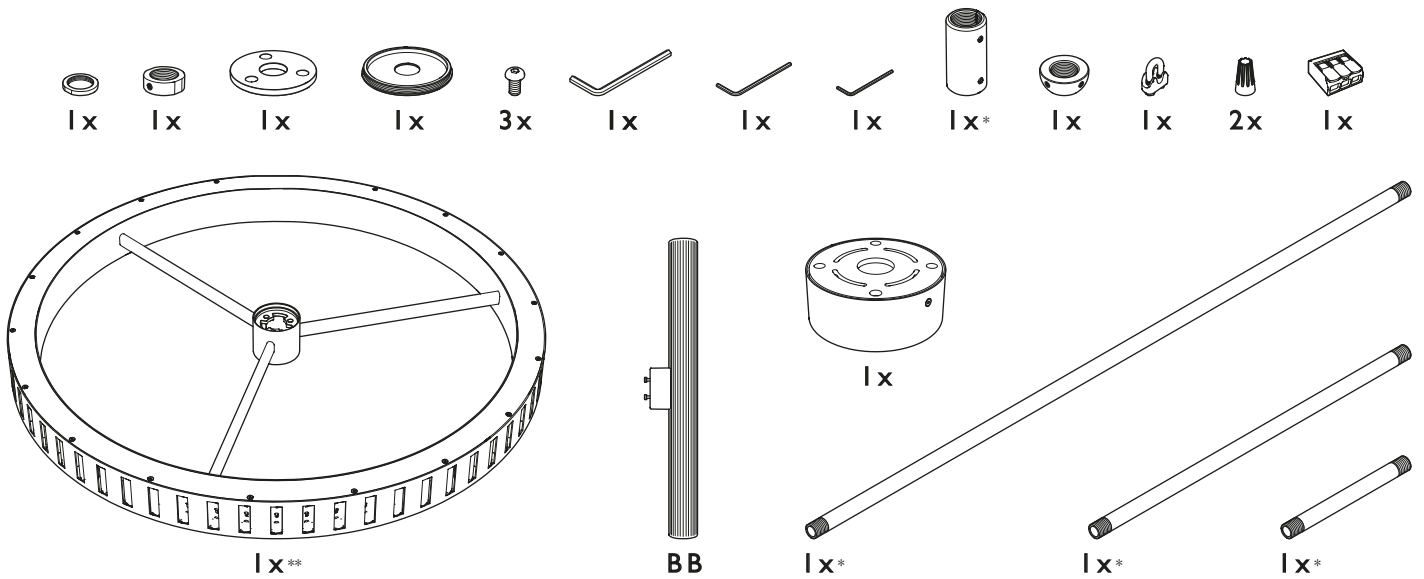
WATTAGES

	AURORA RING 1 (R1)	AURORA RING 2 (R2)	AURORA RING 3 (R3)	AURORA RING 4 (R4)	AURORA RING 5 (R5)	TOTAL WATTAGE (W)
<b>SINGLE TIER CHANDELIERS</b>						
	✓					80
		✓				128
			✓			180
				✓		240
					✓	288
<b>2 TIER CHANDELIERS</b>						
				✓	✓	528
			✓	✓		420
		✓	✓			308
	✓	✓				208
<b>3 TIER CHANDELIERS</b>						
			✓ ✓	✓		600
		✓ ✓	✓			436
	✓ ✓	✓				288
<b>4 TIER CHANDELIERS</b>						
	✓	✓ ✓	✓			516

# AURORA

## CONTENTS

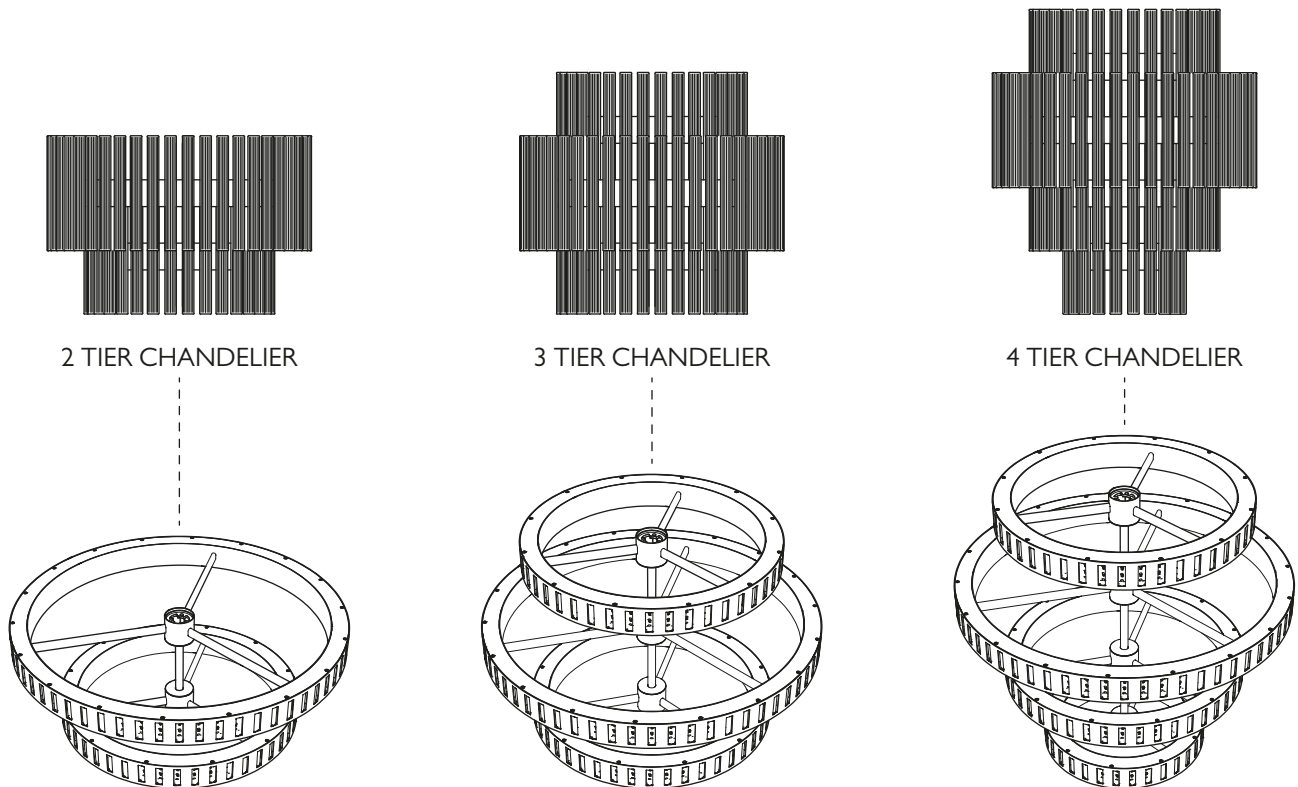
Carefully unpack Auror:



Quantity of Aurora Bulbs (BB) is dependent on Aurora Ring type e.g. 20x bulbs with Aurora Ring 1, 72x bulbs with Aurora Ring 5

\* part only included with specific drop height lengths - quantity of part supplied may vary depending on drop height specified at point of order.

## \*\*AURORA RING TIER OPTIONS\*\*

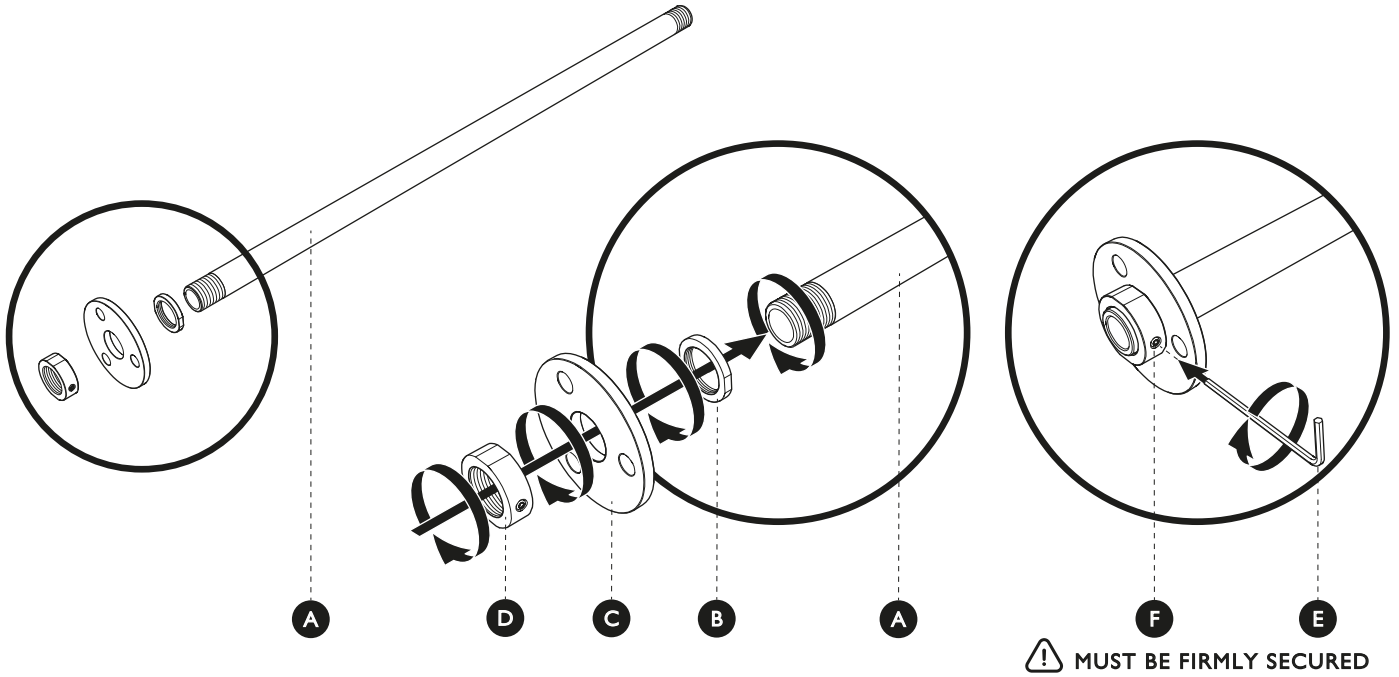


INSTALLATION

1

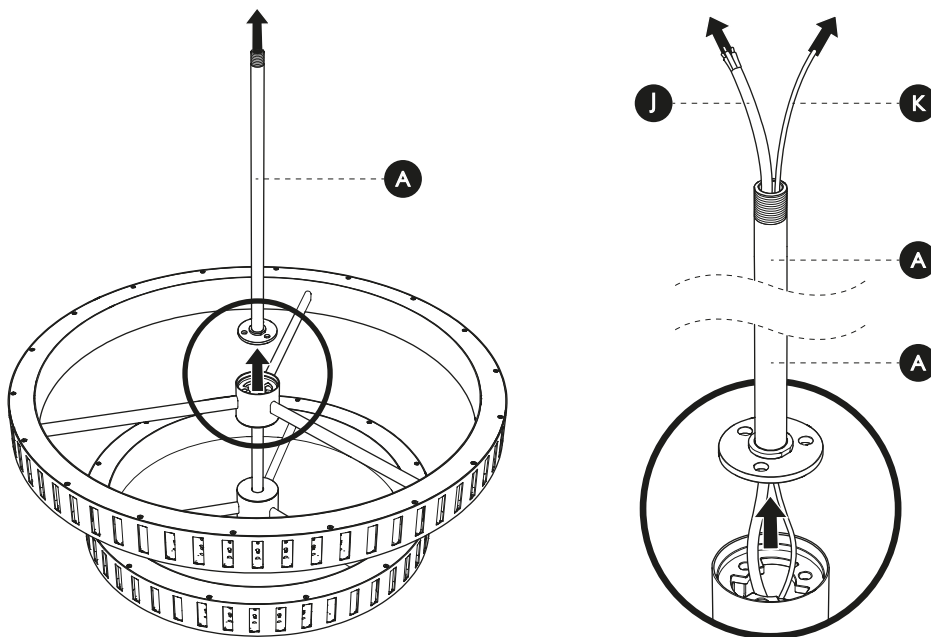
Tightly screw 3 x parts (B, C, D) onto one end of the drop rod (A):

First fit the ring nut (B), followed by the end plate (C) and then the lock nut (D). Using the hex key provided (E), tighten the grub screw (F) in the side of the lock nut.



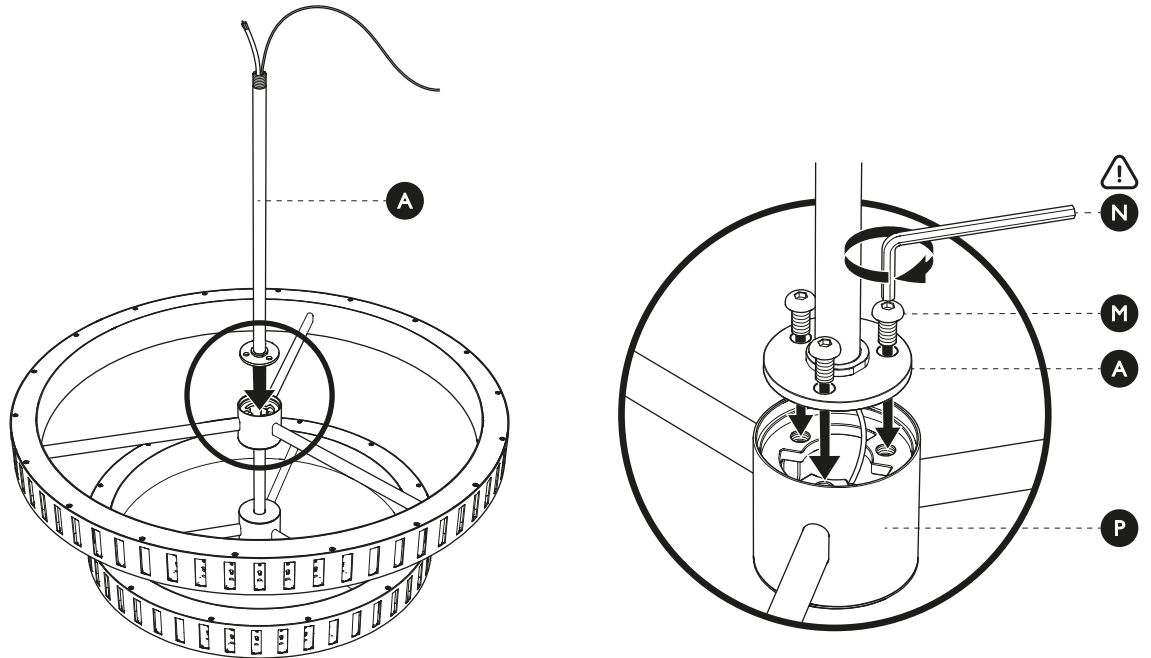
2

Feed electrical cord (J) and suspension wire (K) completely through drop rod (A).



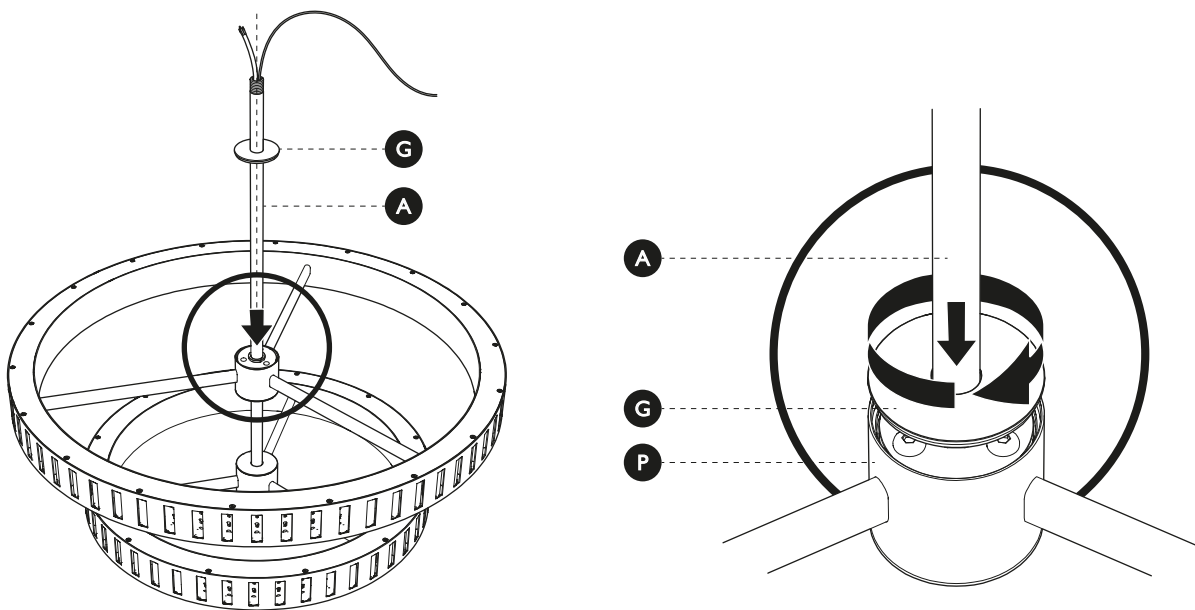
3

Attach drop rod (A) to the top of the hub (P) using the three screws (M) and hex key (N) provided. Ensure all three screws are tightened firmly.



4

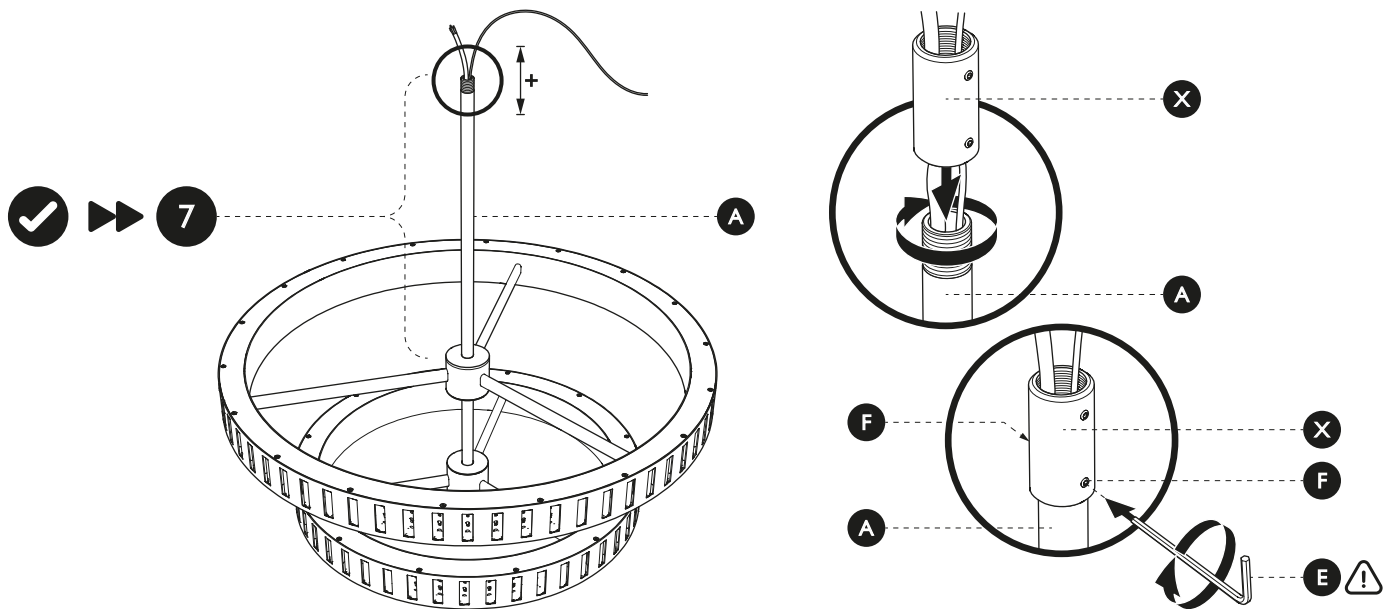
Slide hub cover cap (G) over the drop rod (A) and screw into the top of the hub (P).



5

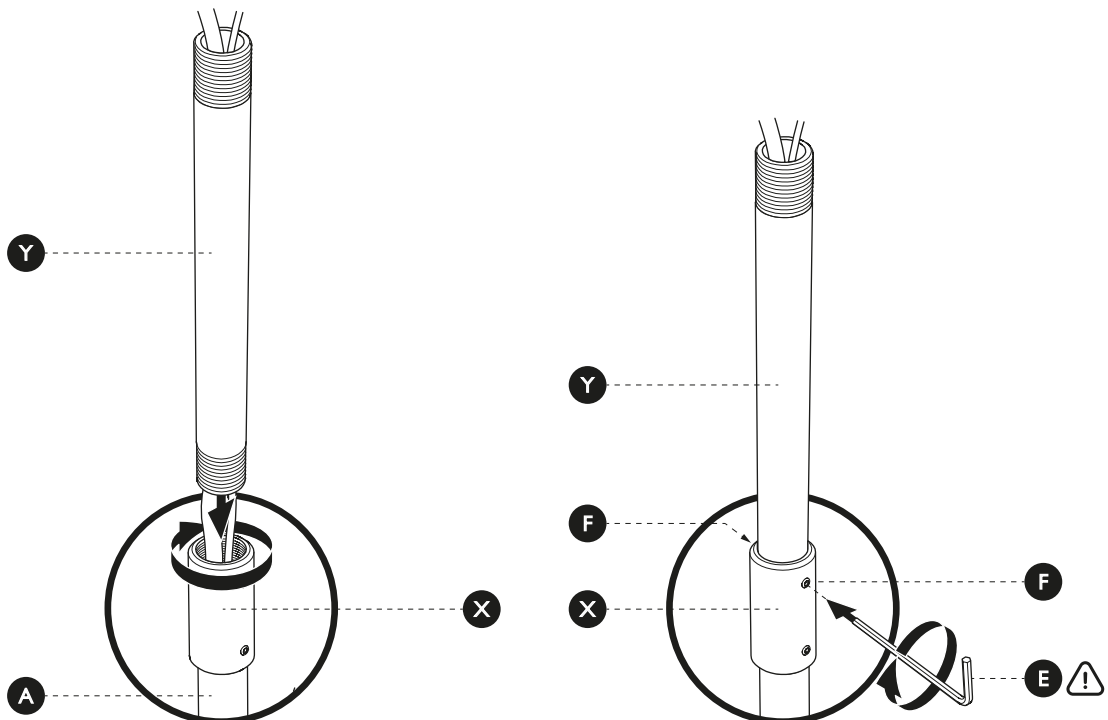
If length of drop rod (A) is as desired, skip to step 7.

To increase length (+), first screw the drop rod coupler (X) onto the end of the drop rod (A) and tighten the two grub screws (F) using the provided hex key (E).



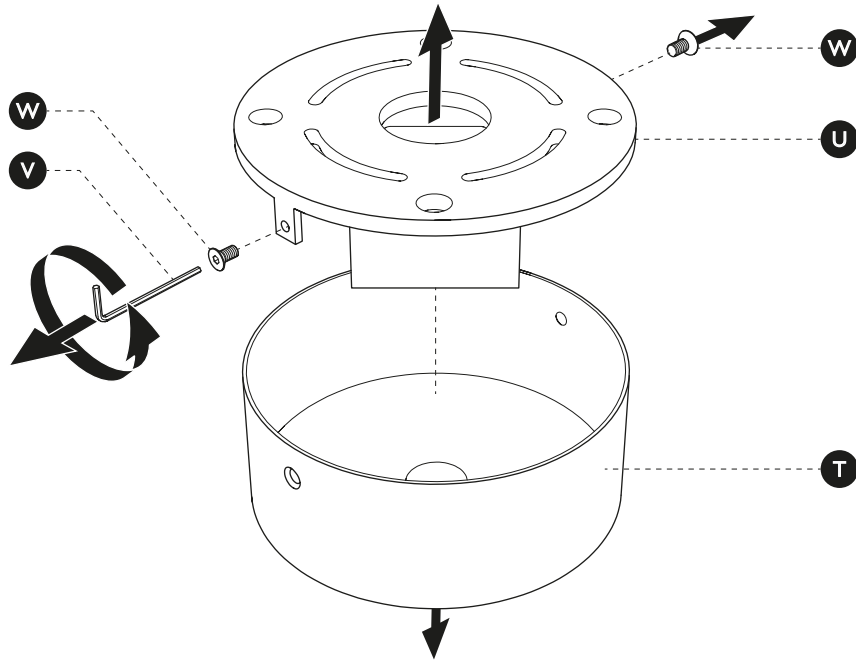
6

Screw the additional length of drop rod (Y) into top of coupler (X) and tighten two grub screws (F) using the provided hex key (E).



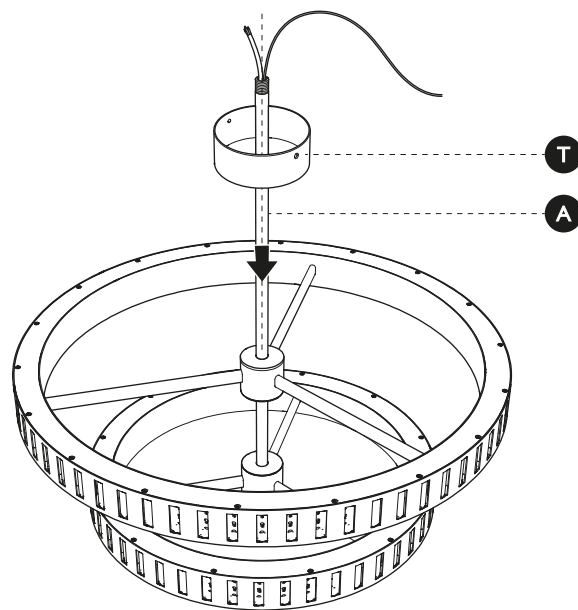
7

Separate the canopy cover (T) from the back plate (U) by using the supplied hex key (V) to unscrew the two screws (W) on the side. Ensure to keep the screws (W) safe for reassembly.



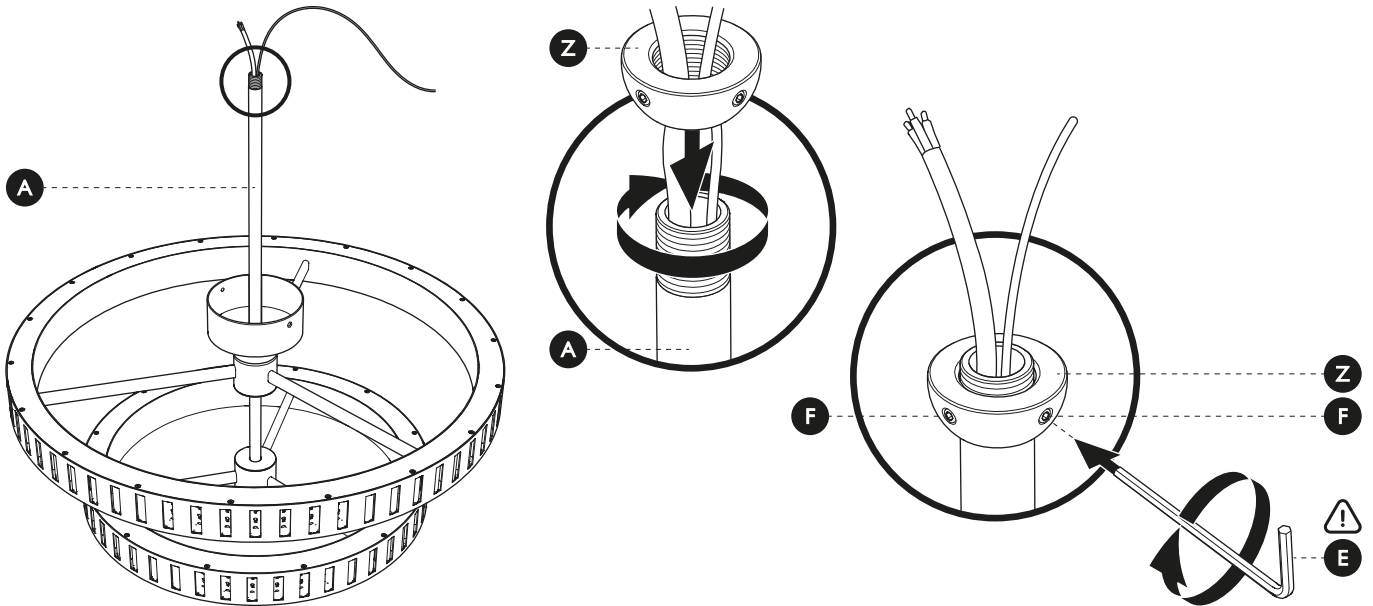
8

Slide the canopy cover (T) over the drop rod (A).



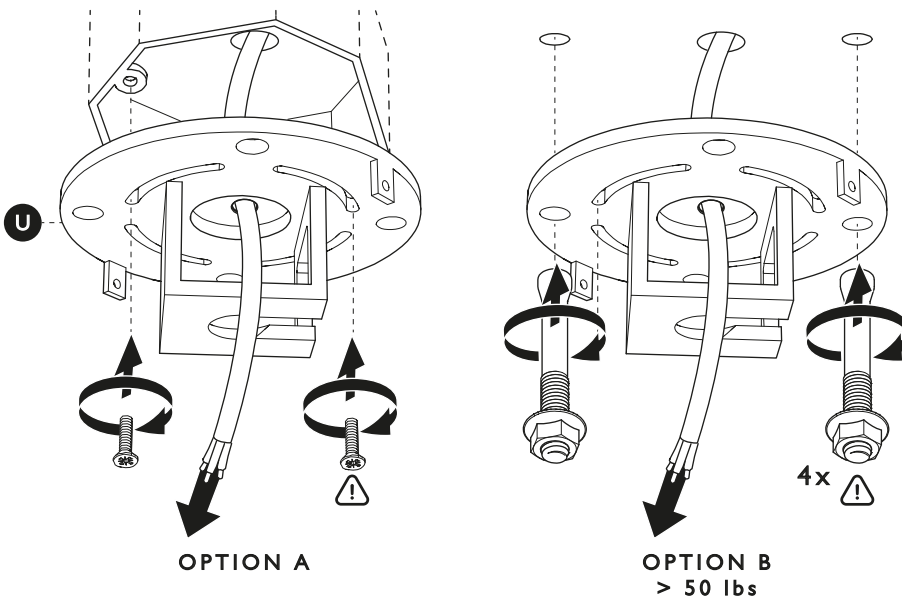
9

Tightly screw the half ball nut (Z) onto the top end of the drop rod (A). Using the hex key provided (E), tighten the two grub screws (F) in the side of the nut (Z). Ensure the connection is secure before continuing.



10

Thread the mains power supply cord through the entry hole of the canopy back plate (U) and mount the plate (U) in the required position. **OPTION A:** Single Aurora Ring 1, 2, 3 and 4 can be mounted to standard 4" octagonal junction box. If you do not have one in the desired position, get your electrician to install one. **OPTION B:** For single Aurora Ring 5 and all Tier Chandeliers, due to the **HEAVY** weight of the product (exceeds 50 lbs), we recommend fixing it directly to concrete ceiling using 4x M10 anchor bolts. Always use appropriate fixings for the ceiling material and weight of the product. Fixings not supplied.



AURORA WEIGHTS	
AURORA RING 1 (20)	6 kg / 13.3 lbs
AURORA RING 2 (32)	10 kg / 22 lbs
AURORA RING 3 (45)	14 kg / 31 lbs
AURORA RING 4 (60)	19 kg / 42 lbs
AURORA RING 5 (72)	24 kg / 53 lbs

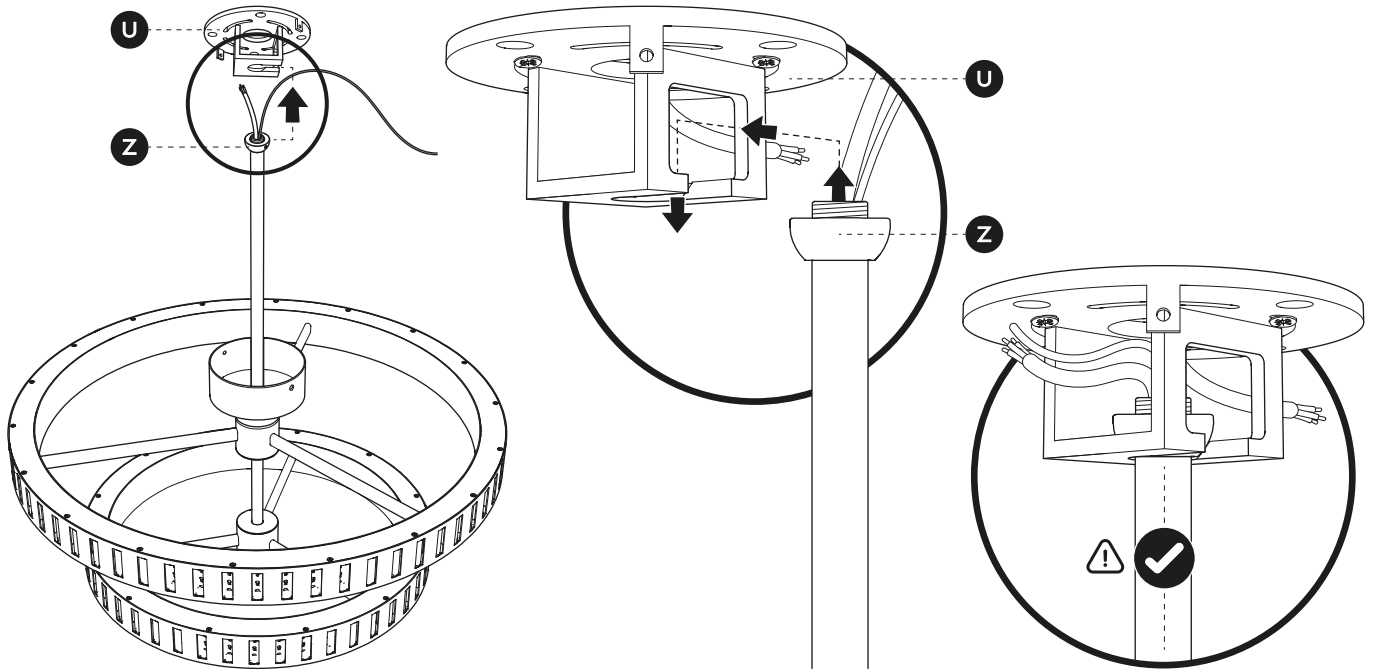
e.g.  
Aurora 3 Tier Chandelier, consisting of:  
2x Aurora Ring 3 (45) and 1x Aurora Ring 4 (60)  
Weight = 31 lbs + 42 lbs + 31 lbs = **104 lbs total**





11

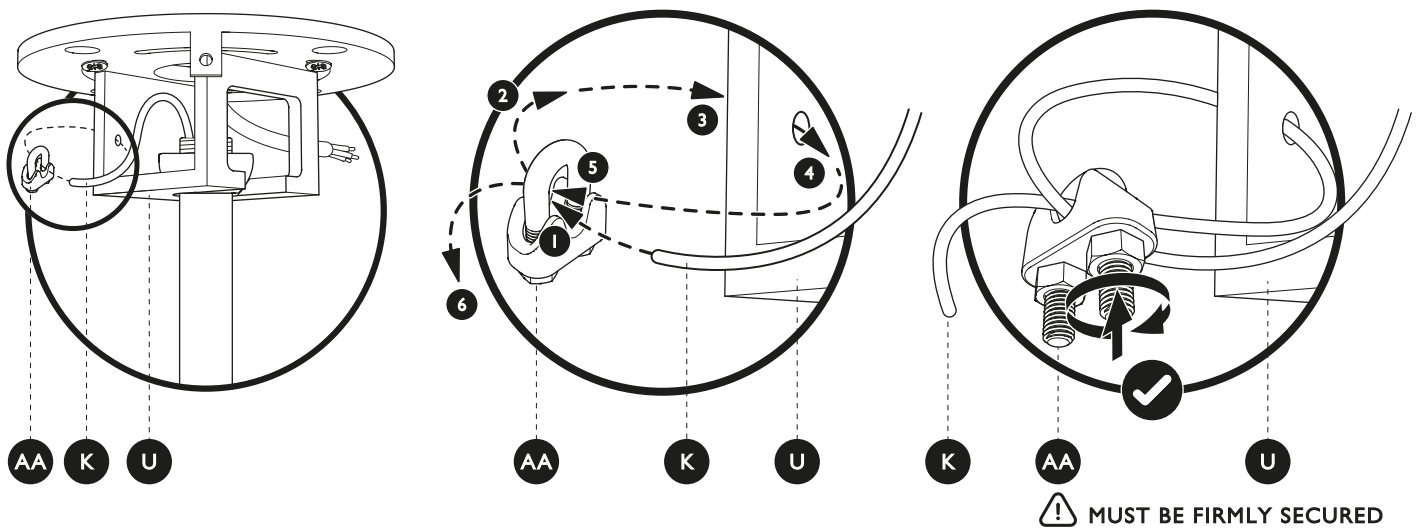
Whilst supporting the full weight of Aurora, guide the half ball nut (Z) through the side entry of the ceiling plate (U). The half ball nut (Z) should then sit within the centre of the ceiling plate (U). Ensure the connection is secure before continuing.



12



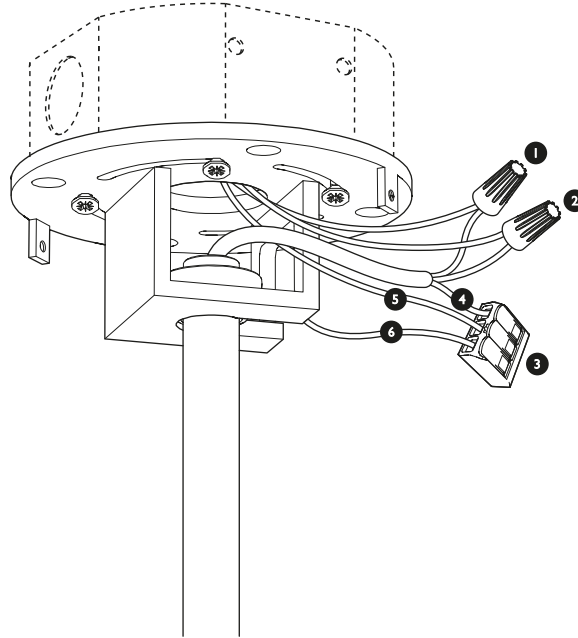
Attach the suspension wire (K) to the ceiling plate (U) by feeding the wire through the allocated hole in the side of the ceiling plate and secure as shown using the wire grip (AA) provided.



13

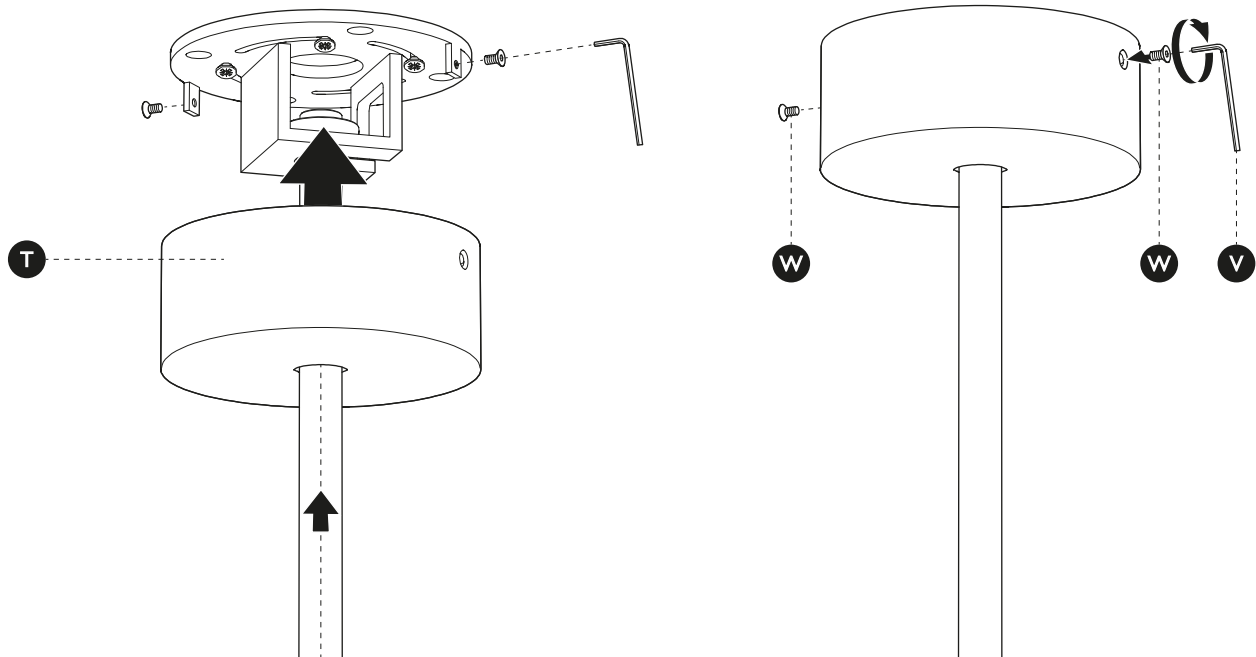
Make electrical connections to the correct mains power supply wires using UL rated wire nuts and 3-way WAGO connector. This product must be grounded. Check that there are no loose strands of electrical cable.

- 1 Wire Nut - black to black
- 2 Wire Nut - white to white
- 3 WAGO - green to ground
- 4 Ground from luminaire
- 5 Ground from supply
- 6 Ground from ceiling plate



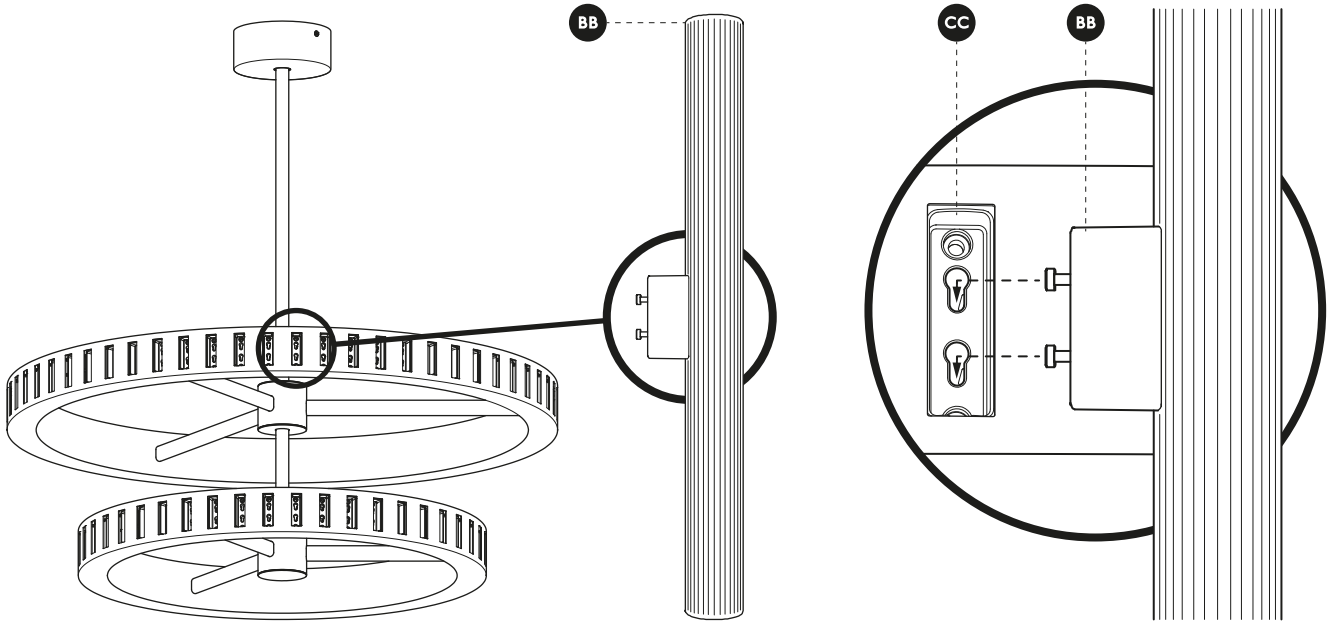
14

Slide the canopy cover (T) up to the ceiling and fix in place using the two screws (W) and hex key (V) provided.



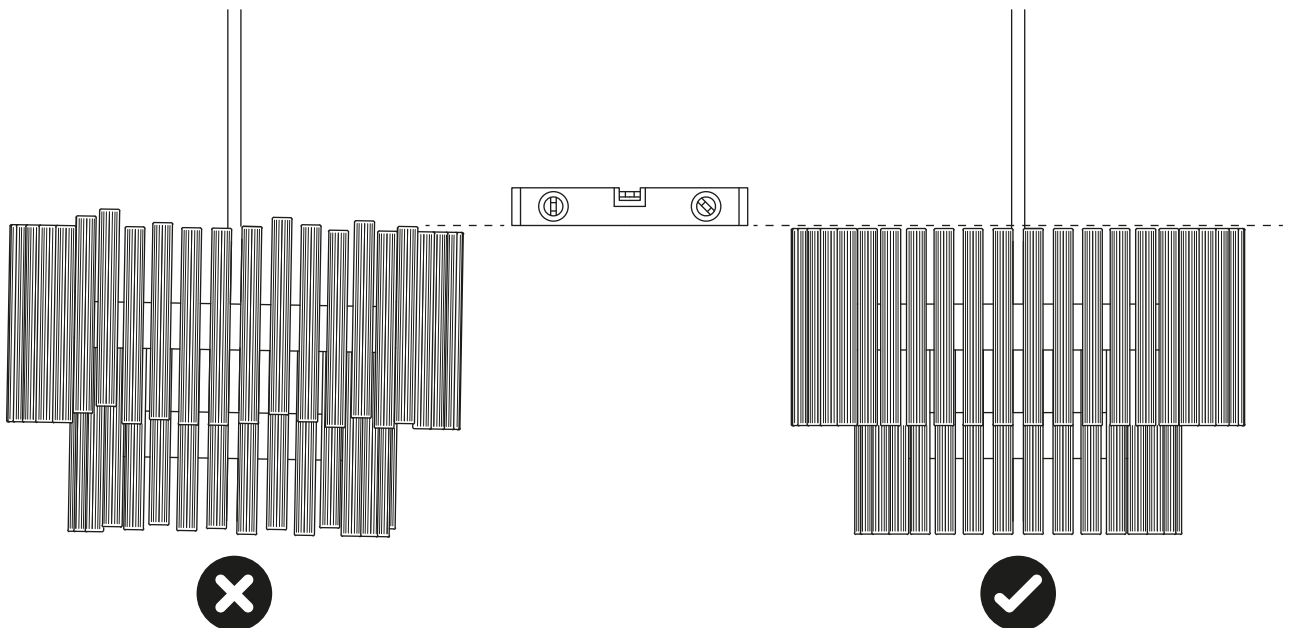
15

Finally fit each bulb (BB) by locating the two pins into the slots inside the lamp holder (CC) and gently slide the bulb down into position. Repeat for all bulbs making sure each bulb is inserted securely into each lamp holder.

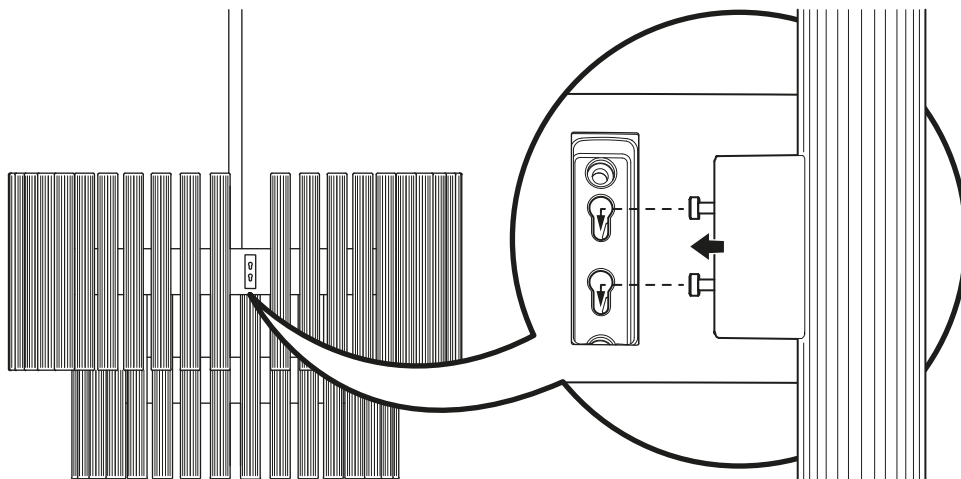
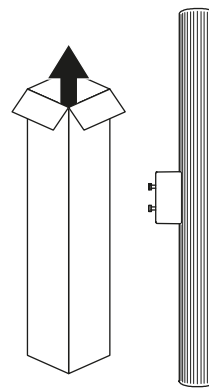
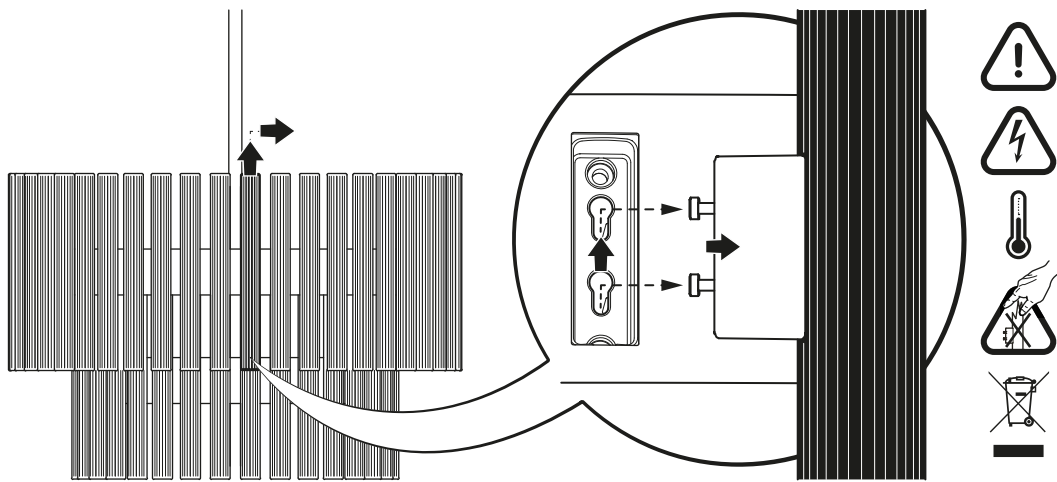


16


To complete installation, ensure all bulbs are fitted correctly and level.



BULB REPLACEMENT



RECYCLING ELECTRICAL PRODUCTS

Lee Broom encourages all customers to notice this symbol  and avoid putting any waste electrical goods in domestic waste bins or containers. Please ensure waste electrical goods are disposed of at a suitable facility.

# LEE BROOM

## LONDON

Electra House, 95 Rivington Street, London, EC2A 3AY + 44 (0)20 7820 0742

## NEW YORK

New Showroom Opening in 2020 +1 212 804 8477

## HEAD OFFICE

Electra House, 93 Rivington Street, London, EC2A 3AY +44 (0)20 7820 0742

## LB LOGISTICS

Unit 7 Portland Commercial Estate, Ripple Road, Barking, IG11 0TW +44 (0)20 7820 0742

## CONTACT

[info@leebroom.com](mailto:info@leebroom.com)

[www.leebroom.com](http://www.leebroom.com)

