

LADY 7

KONCEPT

Lumens	300
Energy Consumption:	6.5 watts
Number of LEDs:	6 LEDs
LED Rated Lifespan:	50,000 hours
Color Temperature	Variable from 2,700 K to 5,000 K
Color Rendering Index (CRI):	83
Dimmer:	Built-in touchstrip
Brightness Adjustability:	Continuous dimming
Standard Color Finish*:	Metallic Black, Silver, Matte Red, Matte White
Material:	Aluminum/Plastic
Cord Color:	Braided cord with matching color
Cord Length:	10'
Transformer (100–240 V; 50/60 Hz):	Included – C-UL-US Certified
Maximum Brightness (15" above desk):	100 fc

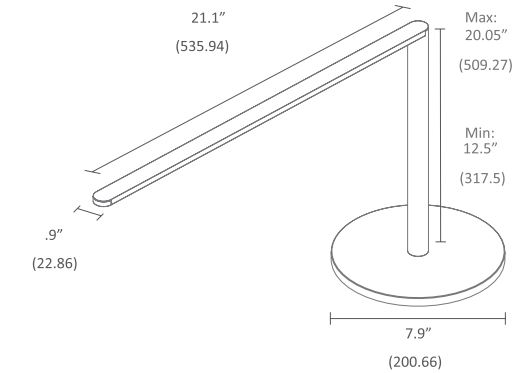
Built-in USB port: 5V 1A
Built-in 5-hour auto-shutoff timer

L7-___-DSK

- MBK = Metallic Black
- SIL = Silver
- MRD = Matte Red
- MWT = Matte White



*Custom colors are available at additional cost. Contact Koncept or your sales representative for a quote.



Potential LEED points:

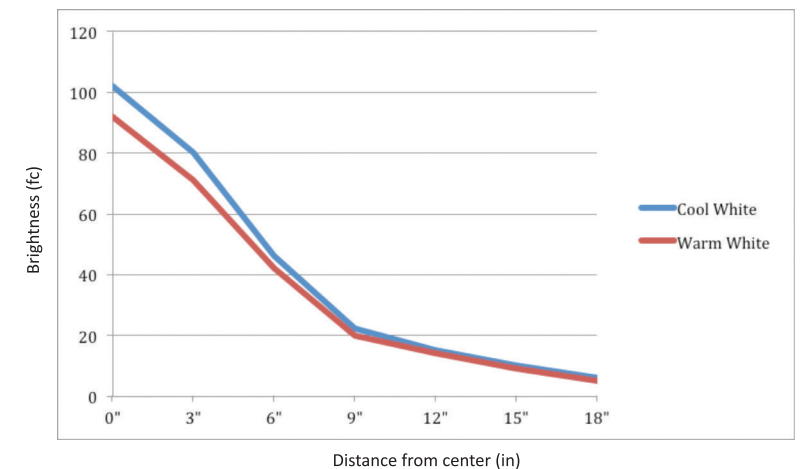
Energy & Atmosphere (EA)

Credit 1.1: Optimize Energy Performance
LED lighting to reduce energy consumption.
(Potential points: 3)

Innovation In Design (ID)

Credit 1.1- 1.4: Innovation in Design
Lady 7 features telescopic arm and 360 degree rotation around the base to help put the light at any height any angle. The lamp also features a built-in touchstrip for brightness adjustability, and the innovative tunable White function to suit different light color preferences, any time of the day. An USB port is subtly built-in to the base for charging any smart devices.
(Potential points: 4)

Aluminum housing is fully recyclable
All color finishes use water-based paint
LEDs do not contain mercury



2014 Japan Good Design Award
2014 Gold Spark Award
2014 Interiors & Sources Readers' Choice Award
2015 iF Design Award

Designer
Kenneth Ng & Edmund Ng

Designed with a wispy-thin silhouette, Lady7 provides a beautiful linear light source for your desk. Thanks to her cordless joint design and sleek, clean lines, Lady7 is perfect in any setting. Ultra efficient LEDs generate little heat and allow Lady7 to operate within safe temperatures & without the need for eyesore heat sink fins. All components are housed inside a simple right-angled shape, keeping a clean silhouette that is easy on the eyes.