

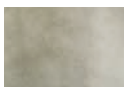
KIMONO suspension

Matteo Ugolini design

year 2012

TECHNICAL SHEET - SE635V-V11


STRUCTURE "A"

material	fiberglass	
colour	white	

CEILING CUP "E"

material	metal
colour	matt white

ELECTRICAL CABLE "C"

material	PCV	
colour	transparent	

SUSPENSION CABLE "F"

material	steel
----------	-------

ELECTRICAL SYSTEM

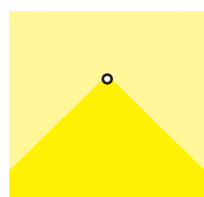
socket	E26
source	max 1x18w LED
energy class	from E to A++


PACKAGING

nr. of collis	1
net weight/kg	4,4
gross weight/kg	8
packaging/cm	63x63x67

EMISSION OF LIGHT

one-directional

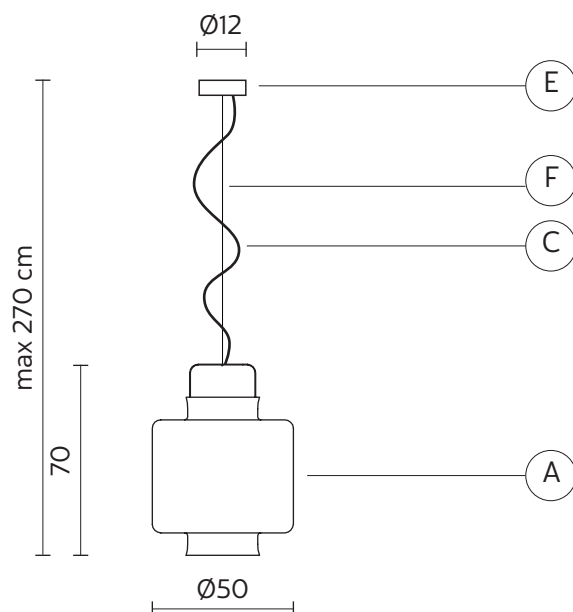


	direct
	filtered
	indirect
	none

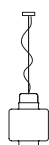
CERTIFICATION



bulb not provided



COLLECTION



SE635V-V1E



SE636V-V11



SE636V-V1E