

# GINGER

SE116 1A INT

SE116 2A INT

SE116 3A INT

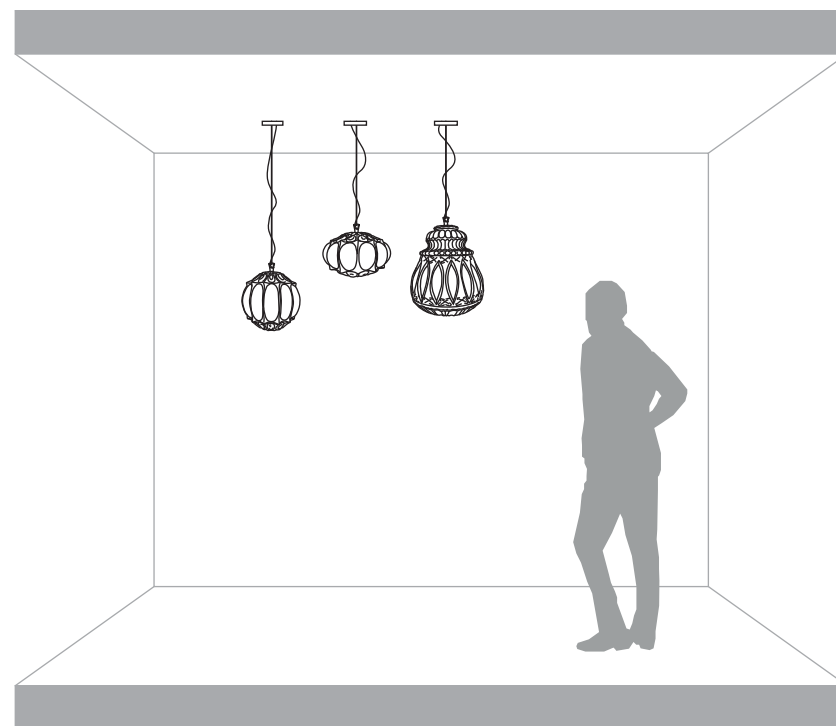
SE116 1F INT

SE116 2F INT

SE116 3F INT

**220-240 V.**

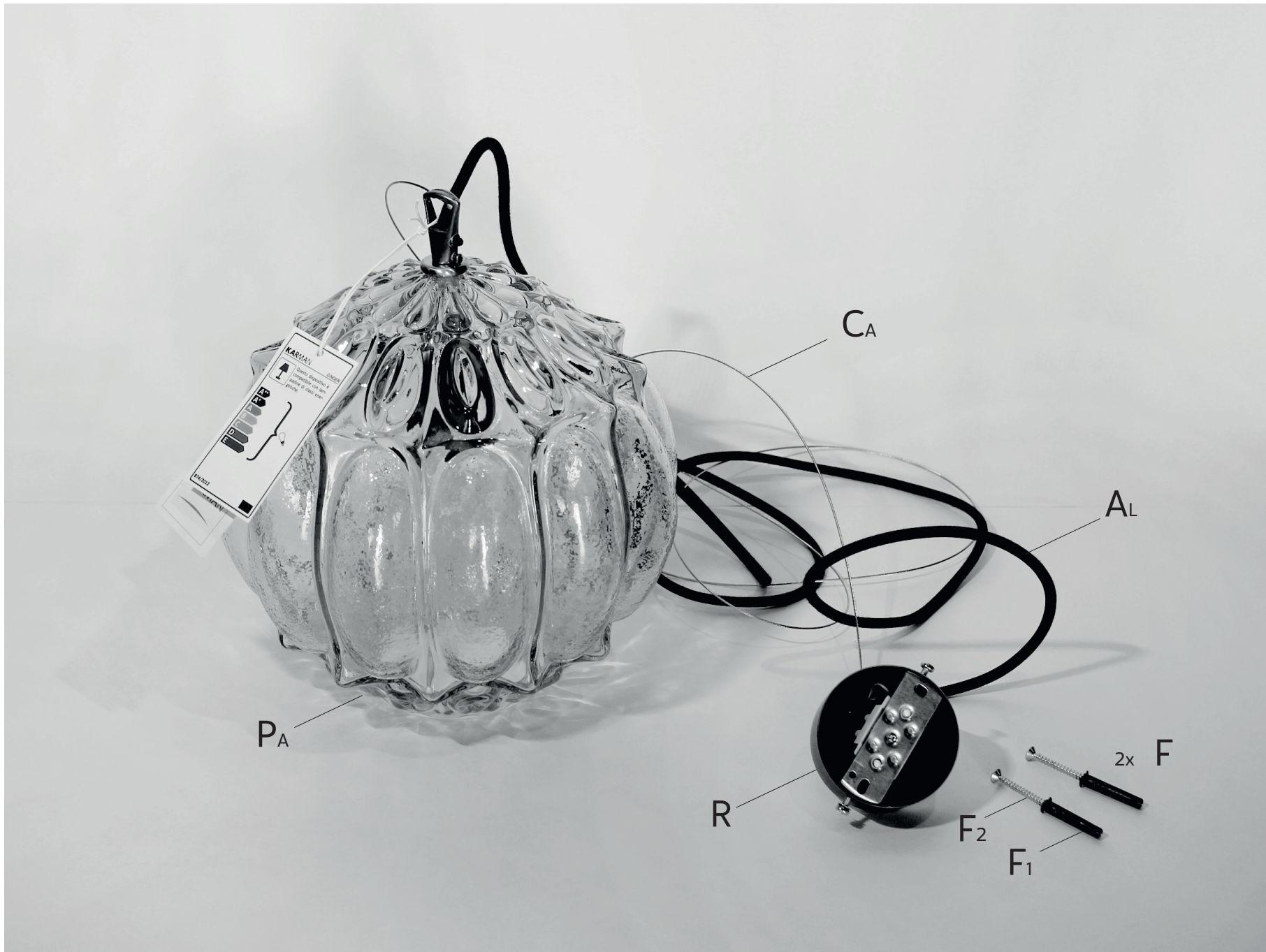
**max 1x77W - E27**

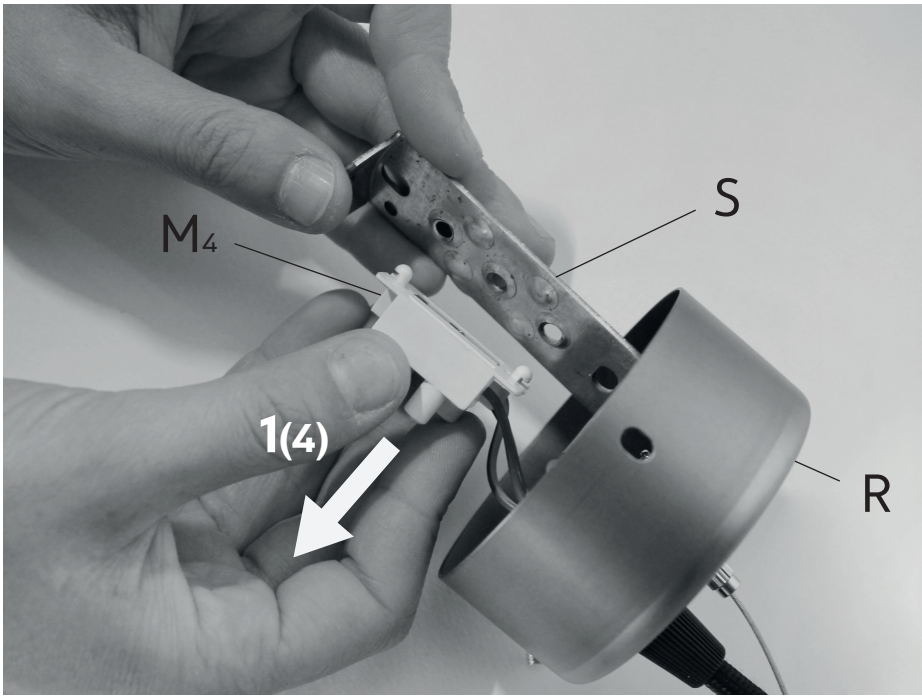
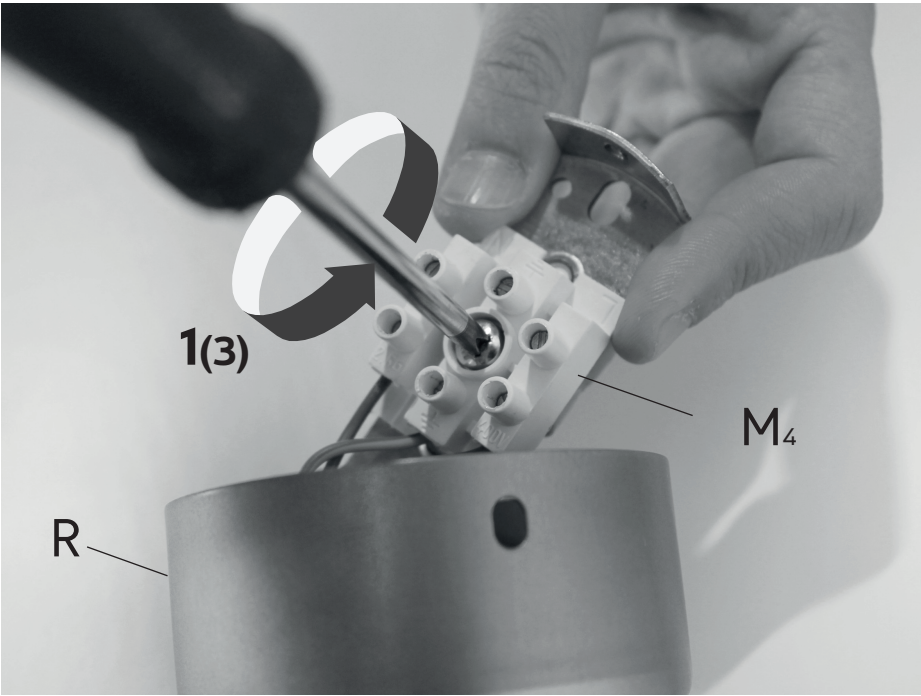
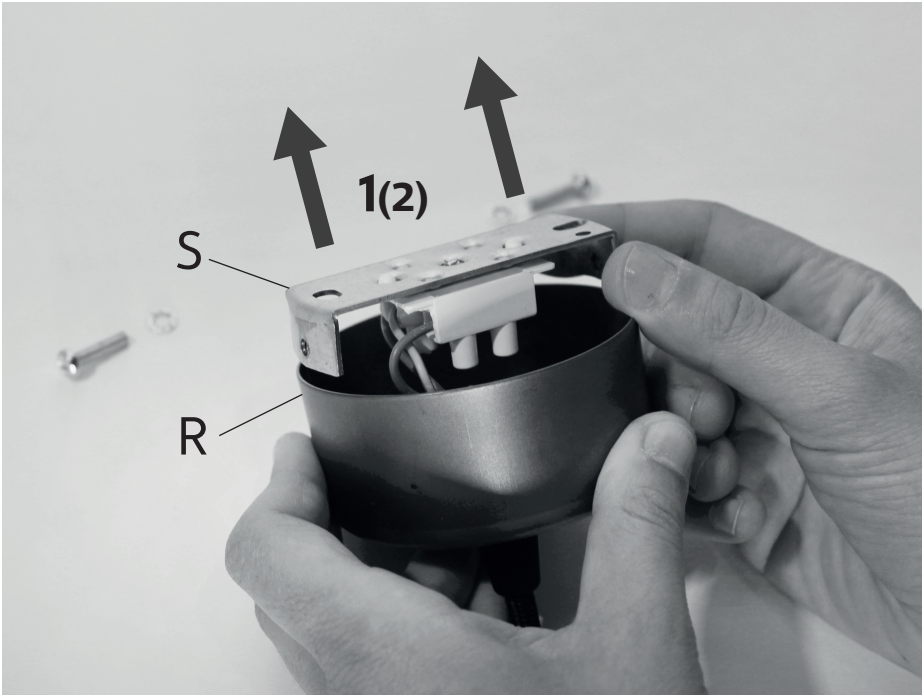
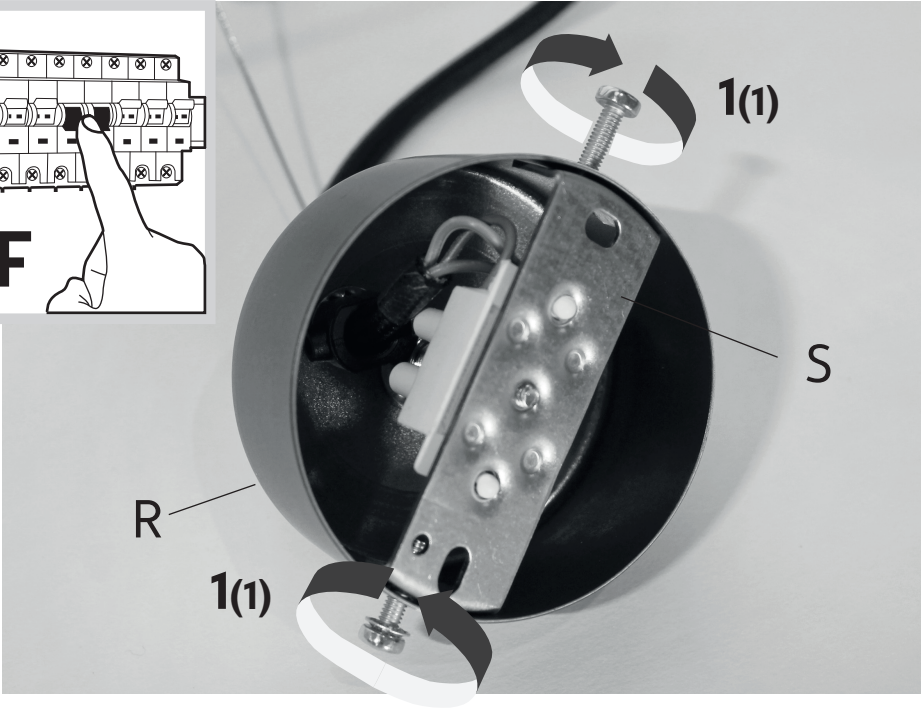
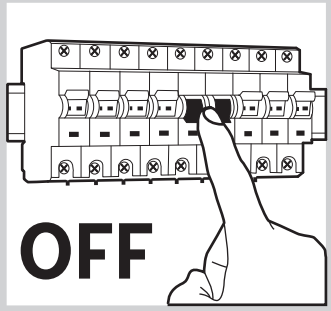


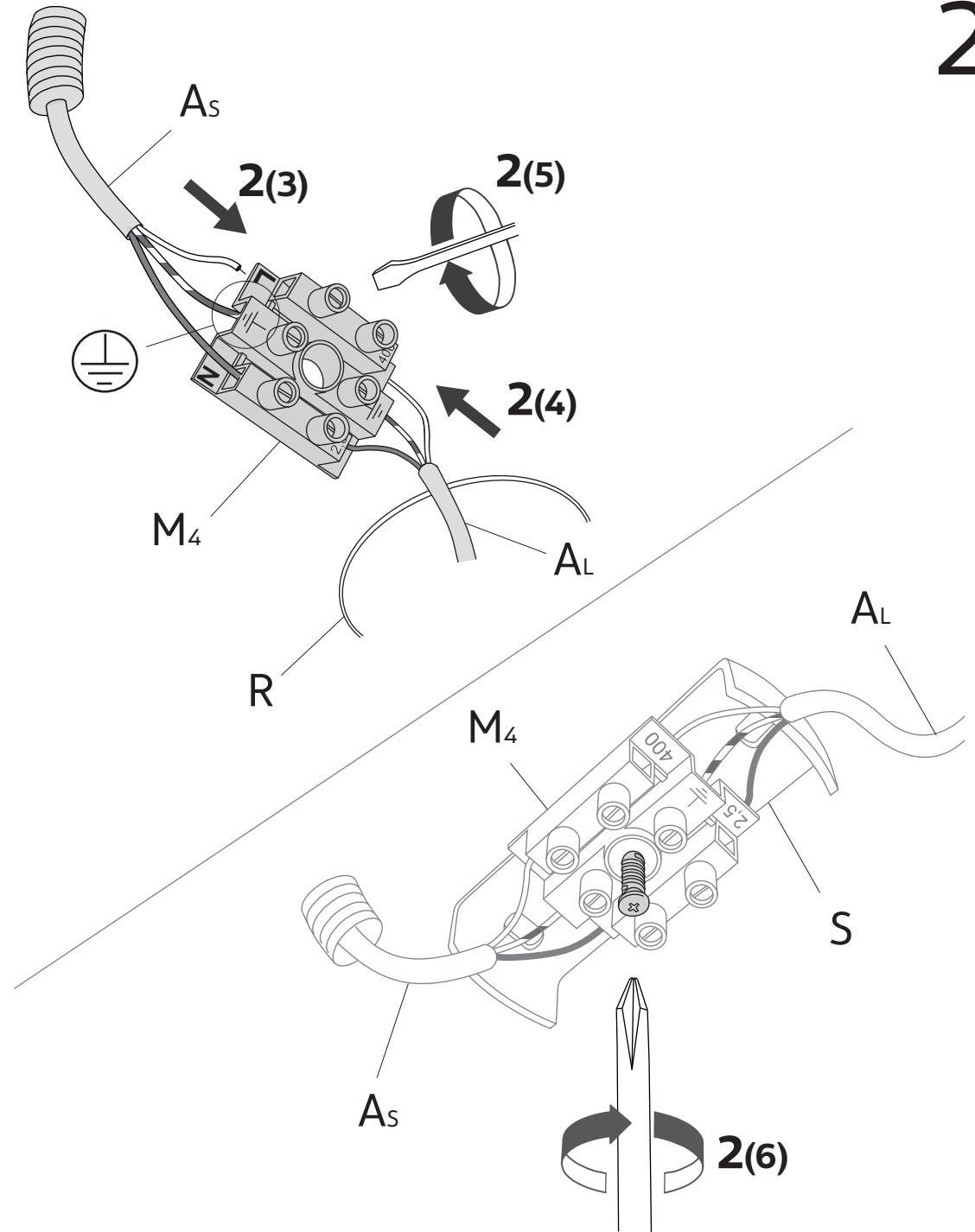
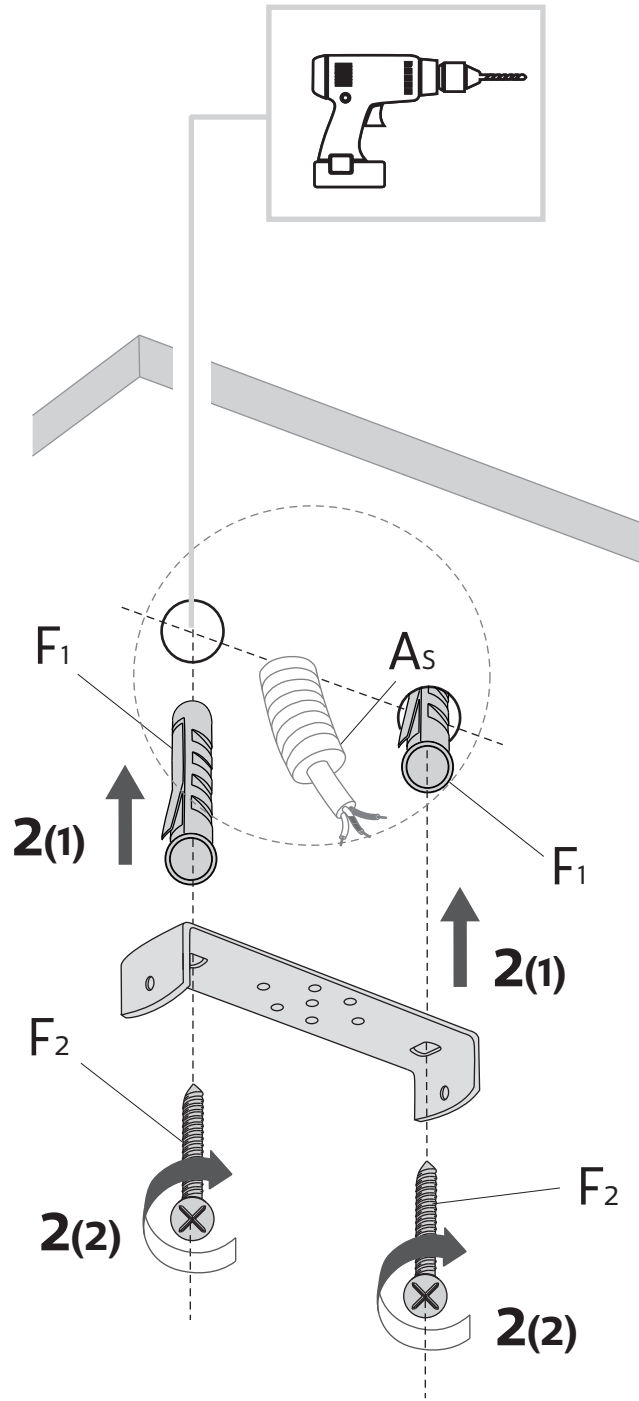
Karman srl

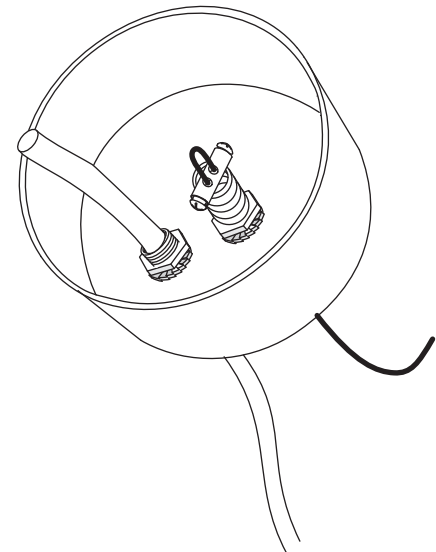
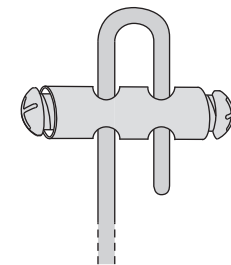
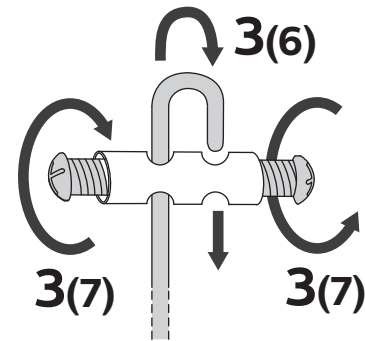
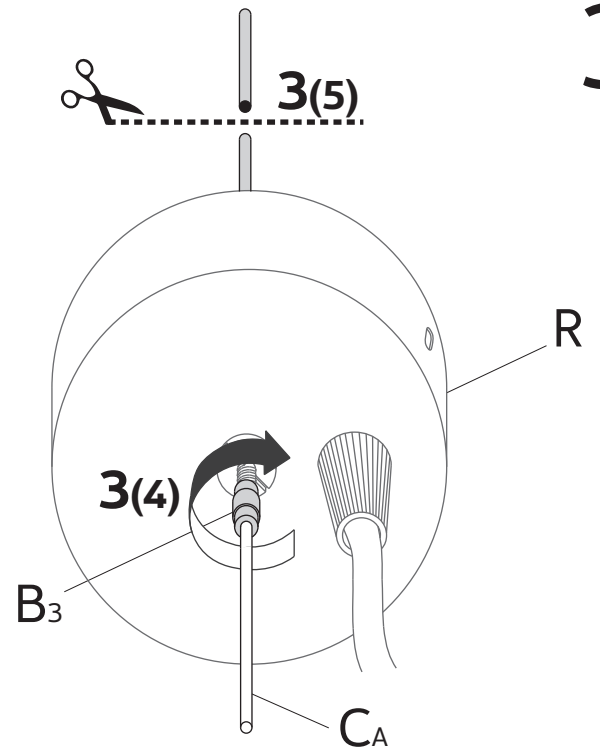
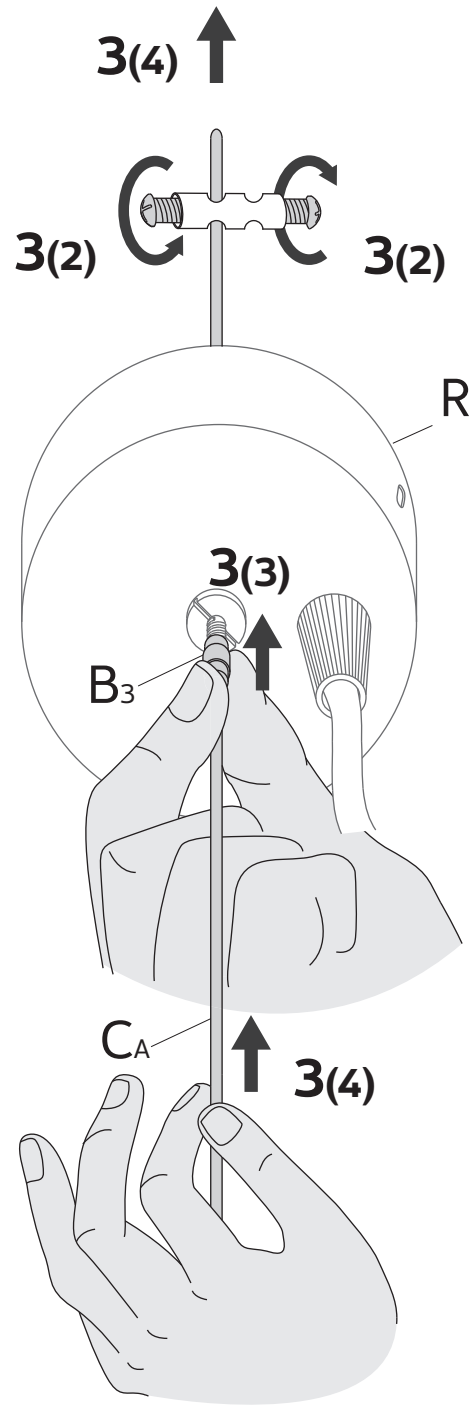
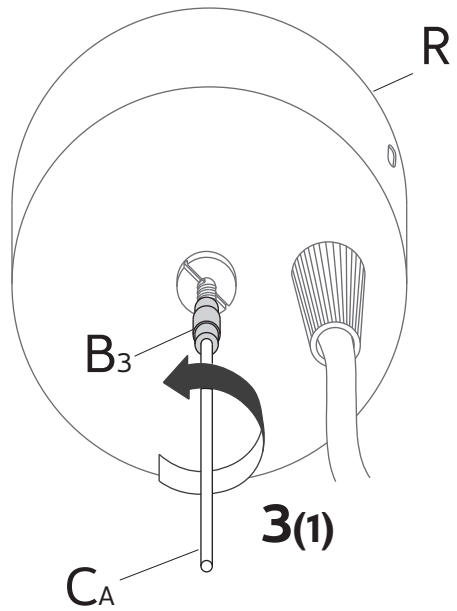
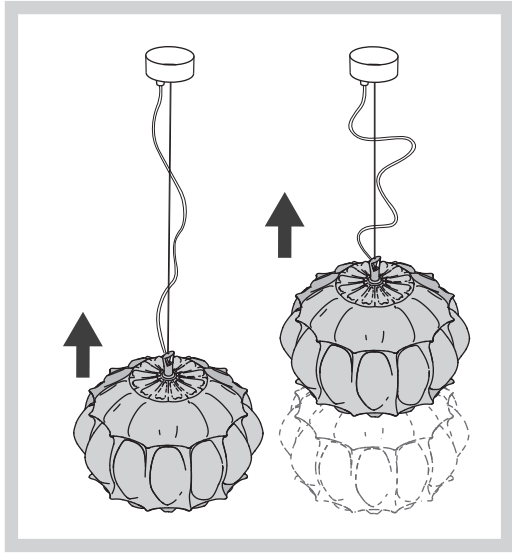
Via A. Grandi, San Martino del piano, 61034 Fossombrone (PU), Italy - p.iva 02175640412 tel +39 0721 71 5042 r.a fax +39 0721 716640 - [www.karmanitalia.it](http://www.karmanitalia.it)











3

