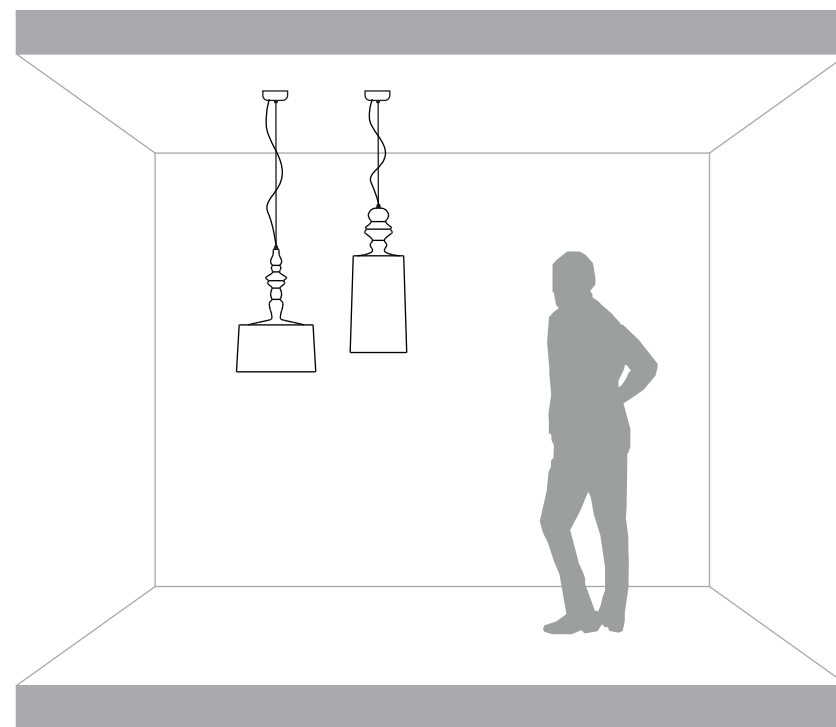


# ALIBABIG



SE616V-INT  
SE617V-INT

220-240 V.  
max 1x105W E27 (down)  
max 1x42W E27 (up)

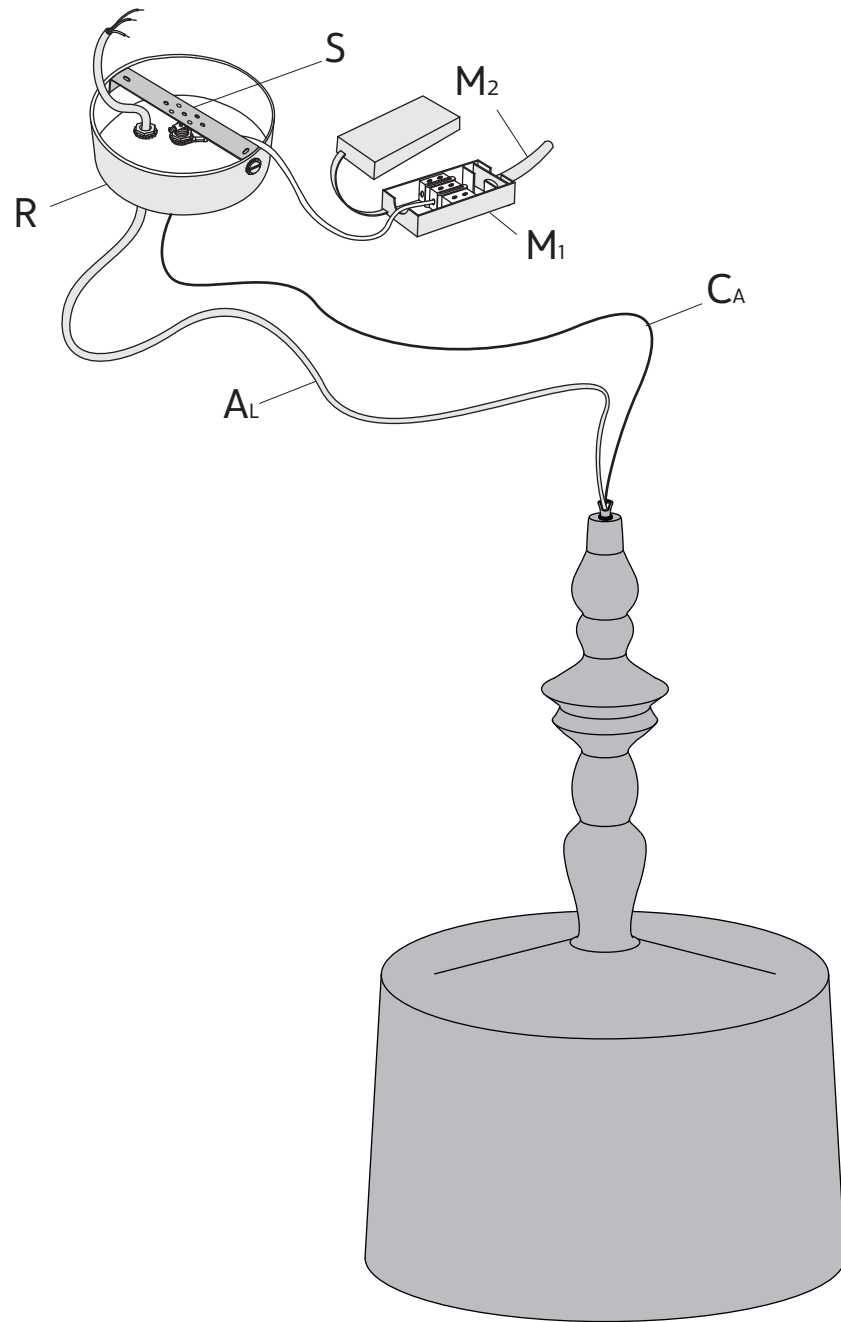


Karman srl

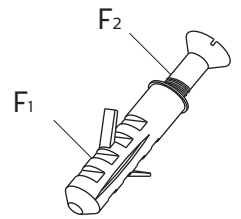
Via A. Grandi, San Martino del piano, 61034 Fossombrone (PU), Italy - p.iva 02175640412 tel +39 0721 71 5042 r.a fax +39 0721 716640 - [www.karmanitalia.it](http://www.karmanitalia.it)

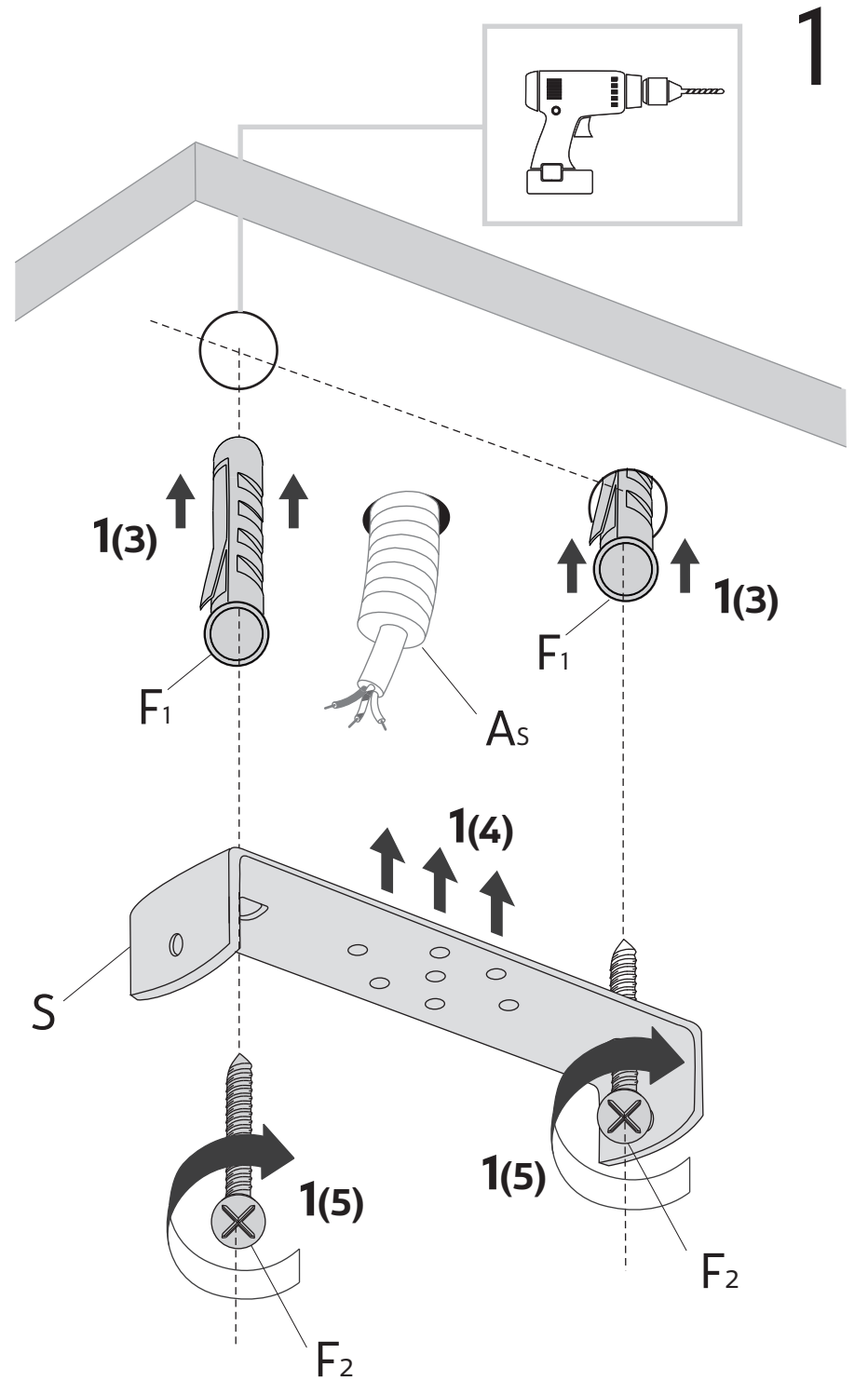
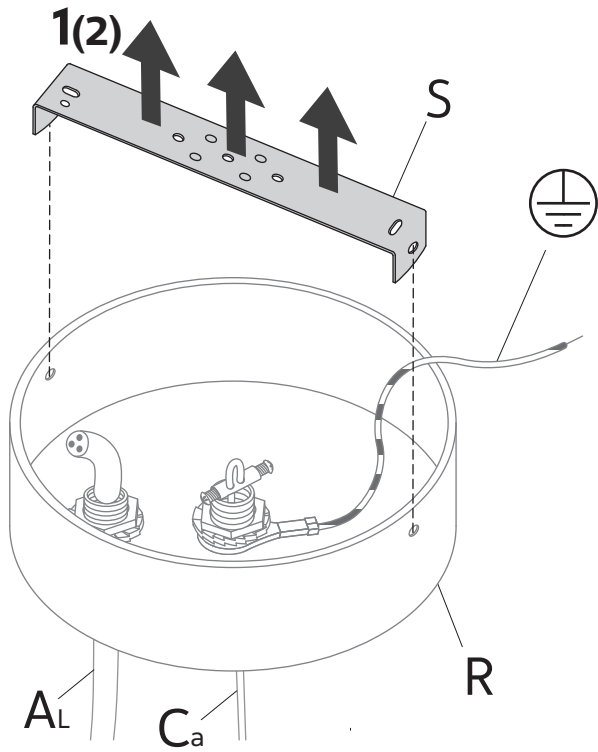
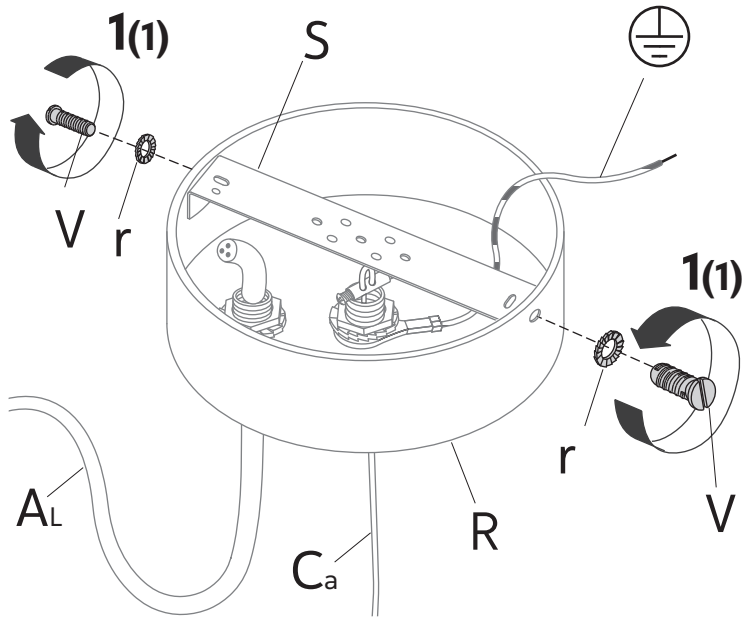
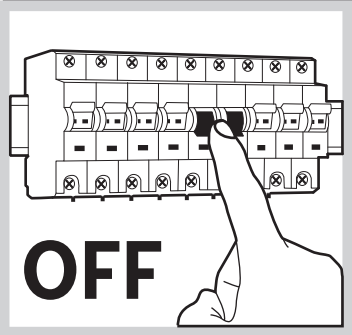


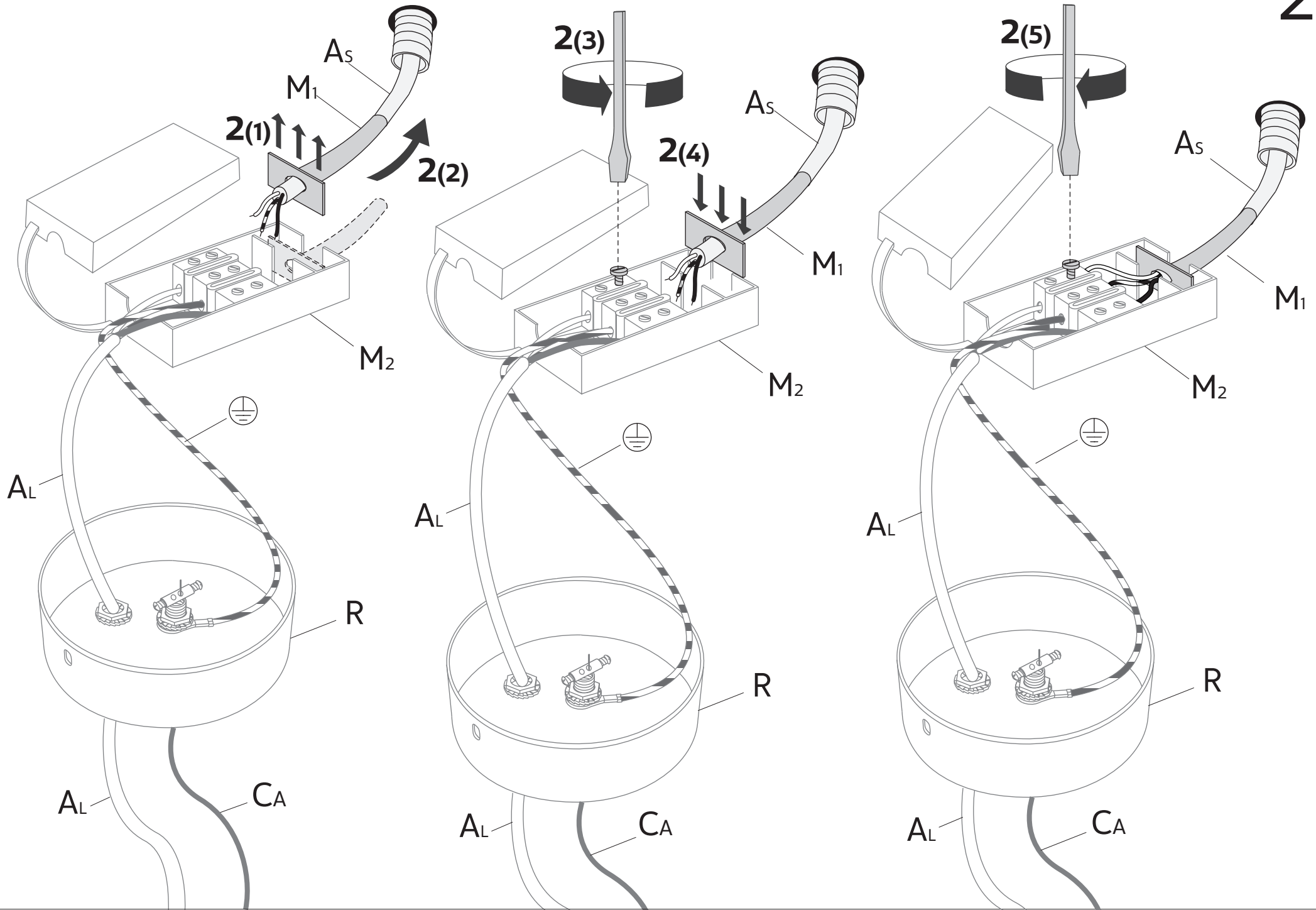
# C - 01

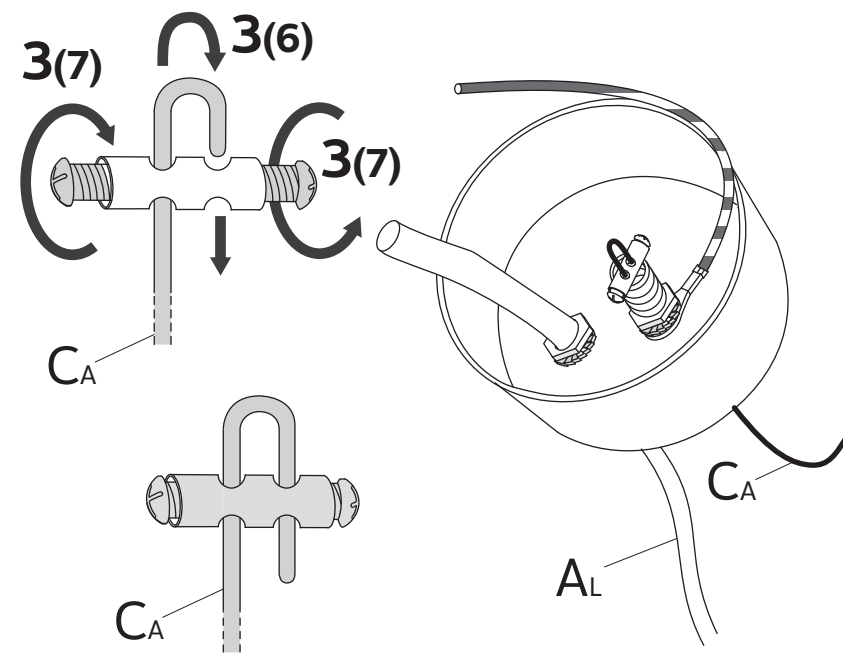
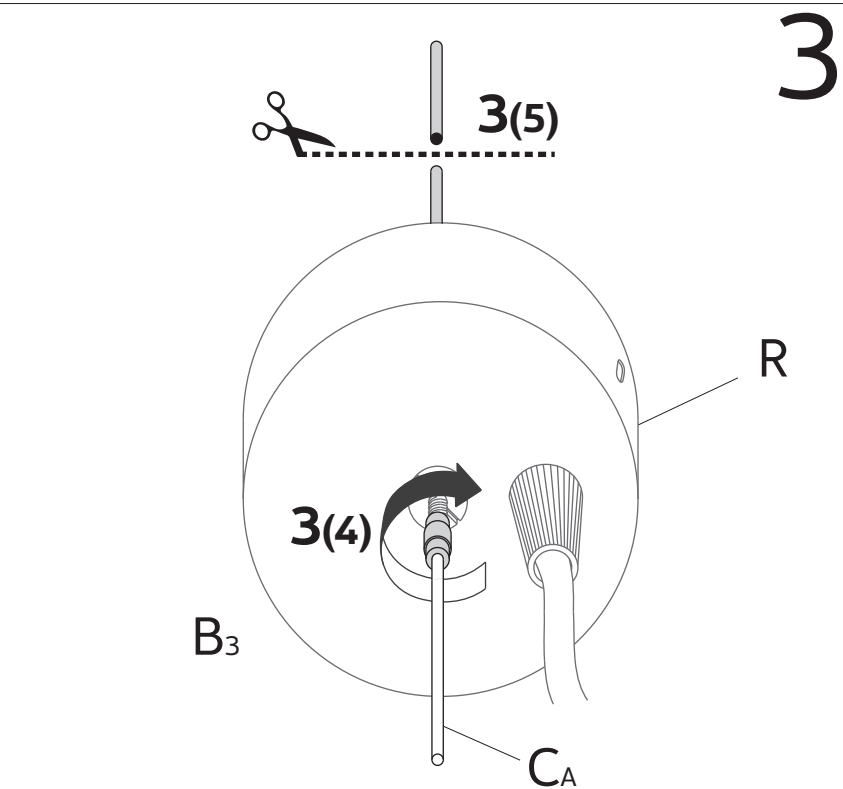
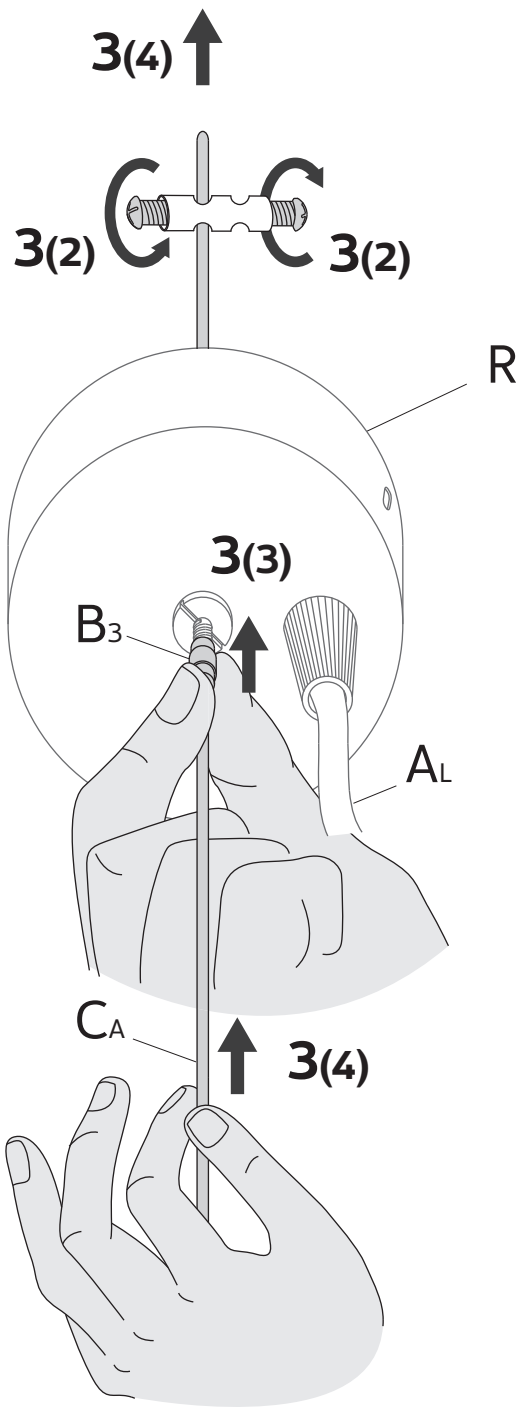
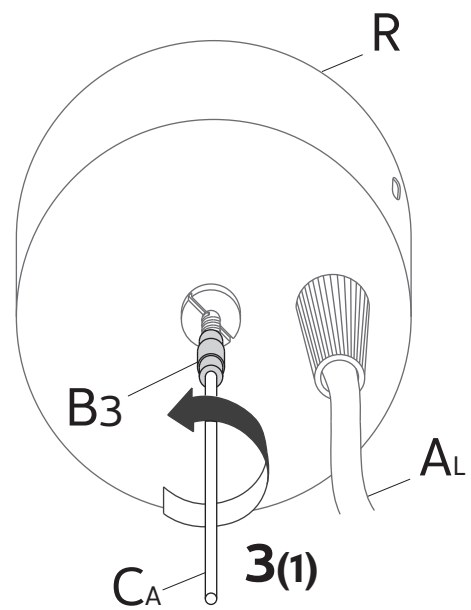
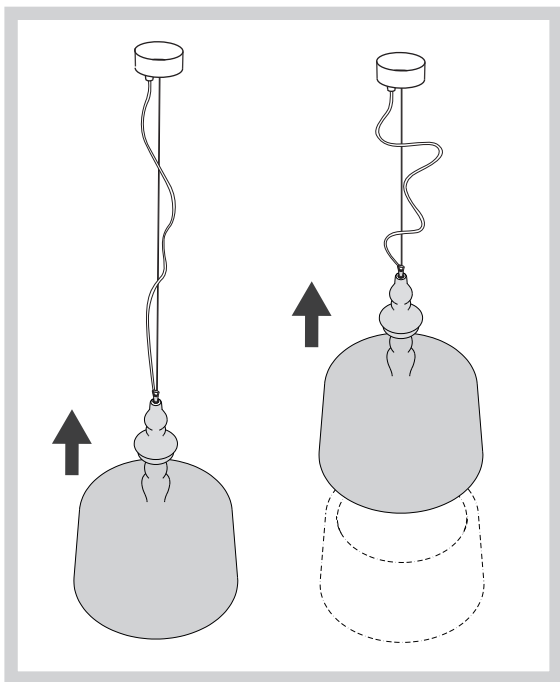


2x F









3

