


ALIBABIG floor lamp

Matteo Ugolini design


year 2012

TECHNICAL SHEET - H625V-V1E

STRUCTURE "A"

material	fiberglass	
colour	white	

ELECTRICAL CABLE "C"

material	neoprene	
colour	green	

ELECTRICAL SYSTEM

socket	E26
source	max 4x18w LED
energy class	from E to A++

PACKAGING

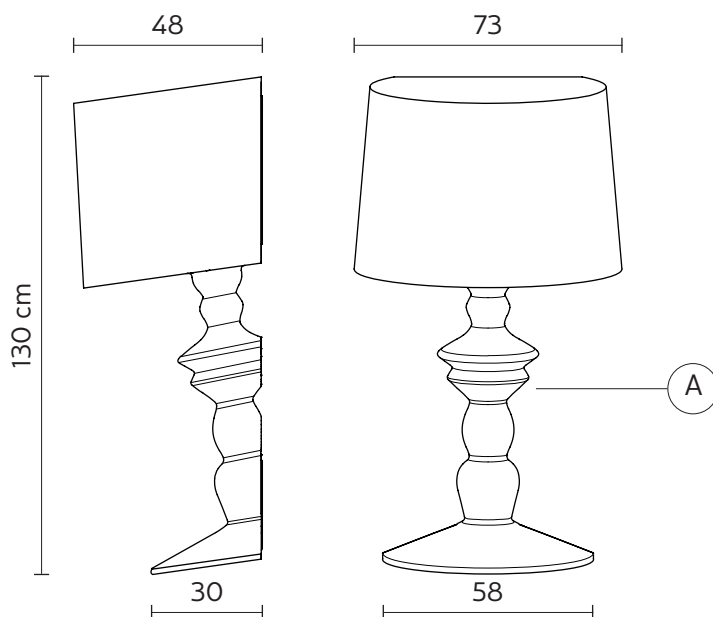
nr. of collis	1
net weight/kg	11
gross weight/kg	16,1
packaging/cm	62x75x139

EMISSION OF LIGHT

one-directional



bulb not provided



COLLECTION

available also as: tavolo, wall lamp and suspension

