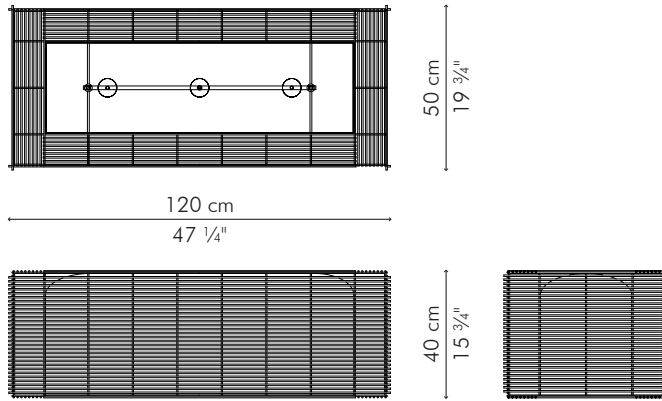





HANGING LAMP, rectangular



	INDOOR	OUTDOOR
	5 kg / 11 lbs	8 kg / 18 lbs
	8 kg / 18 lbs	11 kg / 24 lbs
	0.321 m ³	0.323 m ³
	3 x 60 watts	

Surface mounted pre-wired lamp
 E26 / E27
 100-240 V AC 50/60 Hz

INDOOR buri (palm leaf spines), powder coated metal frame, handmade paper laminated mylar diffuser

 **Brown** LKI-B-4715

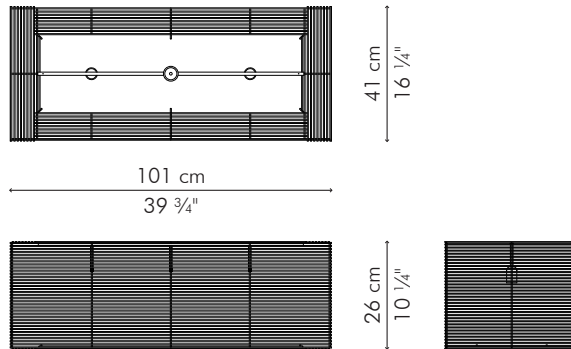
OUTDOOR polyethylene fiber, fiber reinforced polymer diffuser, powder coated metal frame




 **Brown** LKI-B-4715OD

 **Red** LKI-R-4715OD

 **White** LKI-W-4715OD

HANGING LAMP, rectangular slim



	INDOOR	OUTDOOR
 3.25 kg / 7 lbs	3.25 kg / 7 lbs	5 kg / 11 lbs
 5.60 kg / 12 lbs	5.60 kg / 12 lbs	7.35 kg / 16 lbs
 0.165 m ³	0.165 m ³	0.142 m ³
2 x 60 watts		

Surface mounted pre-wired lamp
 E26 / E27
 100-240 V AC 50/60 Hz

INDOOR buri (palm leaf spines), powder coated metal frame, handmade paper laminated mylar diffuser

 **Brown** LKI-B-3910

OUTDOOR polyethylene fiber, fiber reinforced polymer diffuser, powder coated metal frame

 **Brown** LKI-B-3910OD

 **Red** LKI-R-3910OD

 **White** LKI-W-3910OD