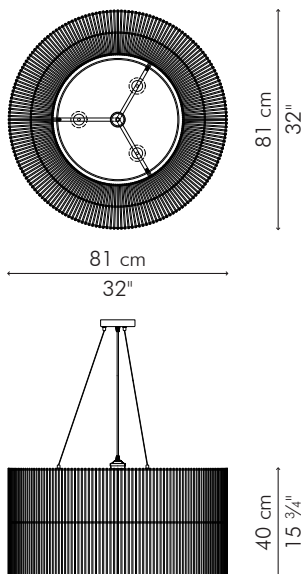


HANGING LAMP, large



INDOOR

 4 kg / 11 lbs

 7.20 kg / 18 lbs

 0.318 m³

3 x 75 watts

OUTDOOR

6 kg / 18 lbs

10 kg / 24 lbs

0.348 m³

3 x 60 watts

Surface mounted pre-wired lamp

E26 / E27

100-240 V AC 50/60 Hz

INDOOR buri (palm leaf spines), powder coated metal frame, handmade paper laminated mylar diffuser

Brown

LKIO-B-3115

OUTDOOR polyethylene fiber, fiber reinforced polymer diffuser, powder coated metal frame

Brown

LKIO-B-3115OD

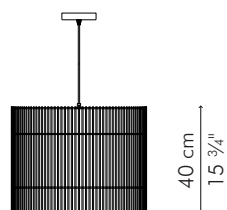
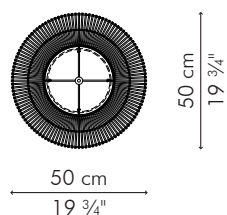
Red

LKIO-R-3115OD

White

LKIO-W-3115OD

HANGING LAMP, medium



INDOOR

OUTDOOR



1.05 kg / 11 lbs

3.10 kg / 18 lbs



2.35 kg / 18 lbs

5.10 kg / 24 lbs



0.126 m³

0.139 m³

1 x 100 watts

1 x 75 watts

Surface mounted pre-wired lamp

E26 / E27

100-240 V AC 50/60 Hz

INDOOR buri (palm leaf spines), powder coated metal frame, handmade paper laminated mylar diffuser

Brown

LKIO-B-1915

OUTDOOR polyethylene fiber, fiber reinforced polymer diffuser, powder coated metal frame

Brown

LKIO-B-1915OD

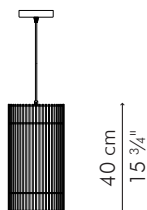
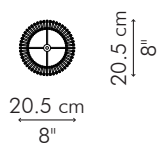
Red

LKIO-R-1915OD

White


LKIO-W-1915OD

HANGING LAMP, small



INDOOR

 0.85 kg / 11 lbs

 1.50 kg / 18 lbs

 0.024 m³

1 x 75 watts

OUTDOOR

2 kg / 18 lbs

2.2 kg / 24 lbs

0.044 m³

1 x 75 watts

Surface mounted pre-wired lamp

E26 / E27

100-240 V AC 50/60 Hz

INDOOR buri (palm leaf spines), powder coated metal frame, handmade paper laminated mylar diffuser

Brown

LKIO-B-0815

OUTDOOR polyethylene fiber, fiber reinforced polymer diffuser, powder coated metal frame

Brown

LKIO-B-0815OD

Red

LKIO-R-0815OD

White

LKIO-W-0815OD