

# KAI LANTERN

## Installation instructions



### IMPORTANT SAFETY INSTRUCTIONS

When installing or using lamps and /or other lightings accessories, basic safety precautions must be followed, including the following:

1. Read all instructions before attempting any part of the installation. If you do not understand the instructions, do not attempt any installation. Save these instructions.
2. Install and mount lamps only on structurally sound surfaces.
3. Do not install any lamps closer than 6" from any curtains, exotic veneer or similar combustible materials.
4. To reduce the risk of fire, electric shock and potential damage to the lamp, do not attempt to connect motors, power tools, extension cords, appliances, and the like on the branch circuit serving the lamp.
5. Disconnect electrical power circuit before adding to or changing the configuration of the lamp.
6. A certified electrician should install this product to avoid any untoward incident.

#### Parts Included:

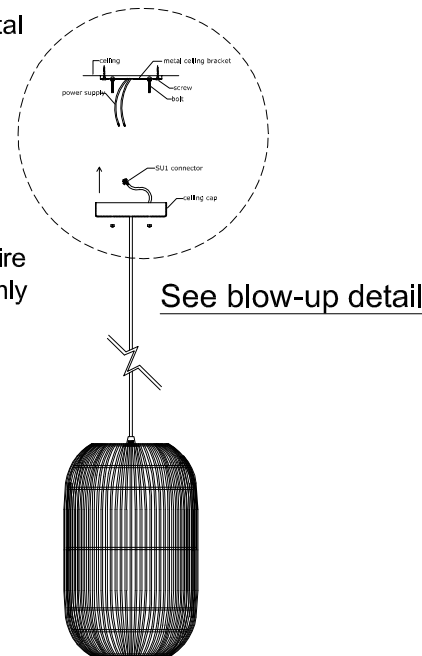
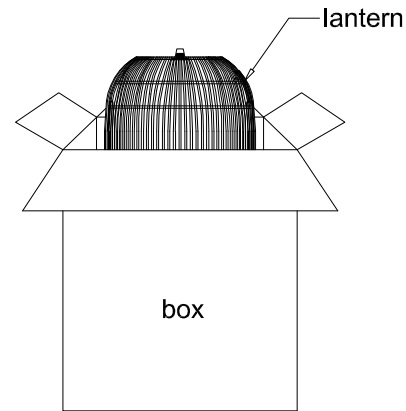
- 1 pc. KAI lantern
- 2 pcs. bolt
- 2 pcs. hex nut
- 2 pcs. cap nut
- 2 pcs. wood screw

### NOTE:

- \*Observe extra caution in handling and moving the lamp.
- \*Lamp may require two or more persons to mount and assemble.

### How to install:

- 1.1 Take out the item from the box & remove the ehwa foam.
- 2.1 Unscrew the cap nuts and remove the metal ceiling bracket. See blow-up detail.
- 2.2 With screws, mount the metal ceiling bracket on the ceiling.
- 2.3 Connect the royal cord to the power supply w/ the SU1 connector. Please make sure to connect live to live wire & neutral to neutral. Make sure wire is firmly connected & locked w/ the SU1 screws.
- 2.4 Mount the metal ceiling cap flat on the ceiling. The bolt holes on the ceiling cap should align to the corresponding bolts from the metal ceiling bracket.
- 2.5 Tighten each cap nut.



### NOTE:

- UL Connection = white wire to neutral / black wire to live.
- CE Connection = blue wire to neutral / brown wire to live.

## BLOW-UP DETAIL

