

J. Adams & Co.

Luna Pendant

Luna uses a stone discs to obscure a concealed LED light source, reflecting against a hand spun brass disc, to create an outward halo of warm and inviting indirect light.

LAMPING

Integrated LED light source
800 lumens / Dimmable
9.5W / 2700K colour temperature

VOLTAGE

120V AC

CERTIFICATIONS

UL on request

MATERIALS

Brass | Natural Italian Stone

WEIGHT

9 lbs (Small) / 11 lbs (Large)

FINISHES

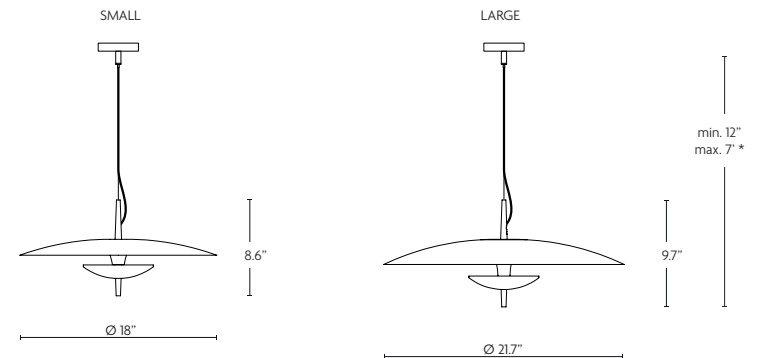


Antique Brass / Black Marble
Small: U.LUN.P.S.AB.BM
Large: U.LUN.P.L.AB.BM



Antique Brass / Travertine
Small: U.LUN.P.S.AB.TV
Large: U.LUN.P.L.AB.TV

DIMENSIONS



*Longer drop available on request