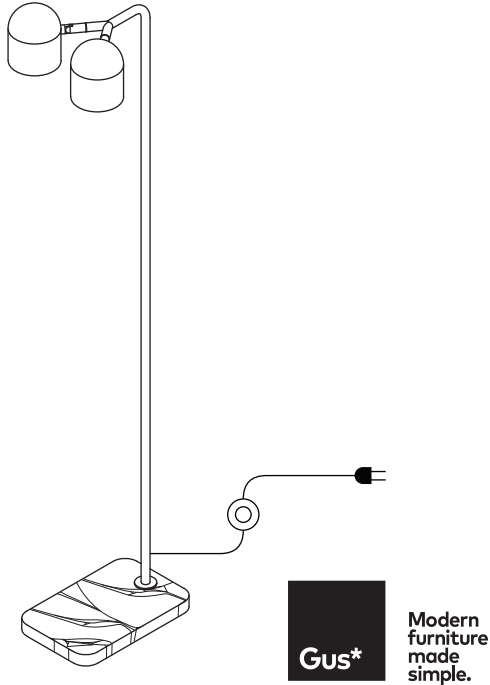


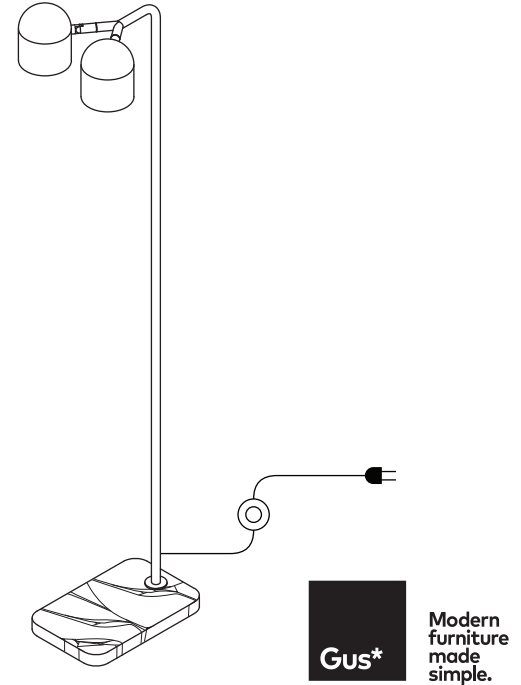
Tandem Floor Lamp

The Tandem Floor Lamp consists of steel lampshades and a natural marble base, which has variances in colour and vein patterns. When replacing lightbulb, we recommend using a **GU10** bulb with a warm glow. Bulb wattage should not exceed **60W** or the equivalent in LED. For indoor use only. To clean, use a non-bristle, soft dusting brush or microfiber cloth. **Do not use abrasive cleaning products.**



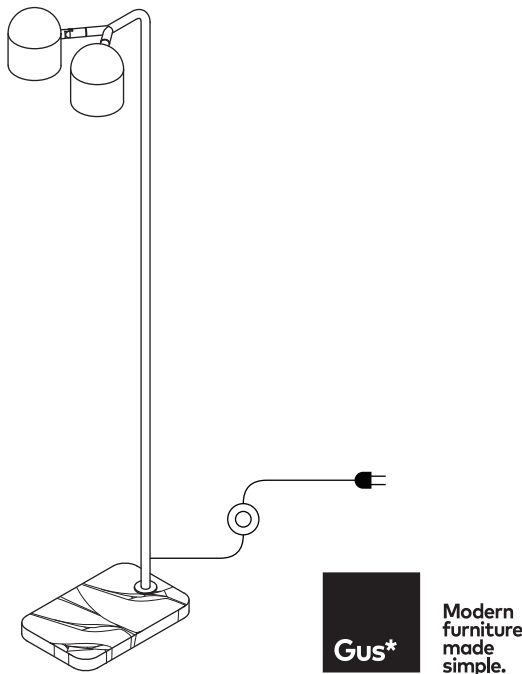
Tandem Floor Lamp

The Tandem Floor Lamp consists of steel lampshades and a natural marble base, which has variances in colour and vein patterns. When replacing lightbulb, we recommend using a **GU10** bulb with a warm glow. Bulb wattage should not exceed **60W** or the equivalent in LED. For indoor use only. To clean, use a non-bristle, soft dusting brush or microfiber cloth. **Do not use abrasive cleaning products.**



Tandem Floor Lamp

The Tandem Floor Lamp consists of steel lampshades and a natural marble base, which has variances in colour and vein patterns. When replacing lightbulb, we recommend using a **GU10** bulb with a warm glow. Bulb wattage should not exceed **60W** or the equivalent in LED. For indoor use only. To clean, use a non-bristle, soft dusting brush or microfiber cloth. **Do not use abrasive cleaning products.**



Tandem Floor Lamp

The Tandem Floor Lamp consists of steel lampshades and a natural marble base, which has variances in colour and vein patterns. When replacing lightbulb, we recommend using a **GU10** bulb with a warm glow. Bulb wattage should not exceed **60W** or the equivalent in LED. For indoor use only. To clean, use a non-bristle, soft dusting brush or microfiber cloth. **Do not use abrasive cleaning products.**

