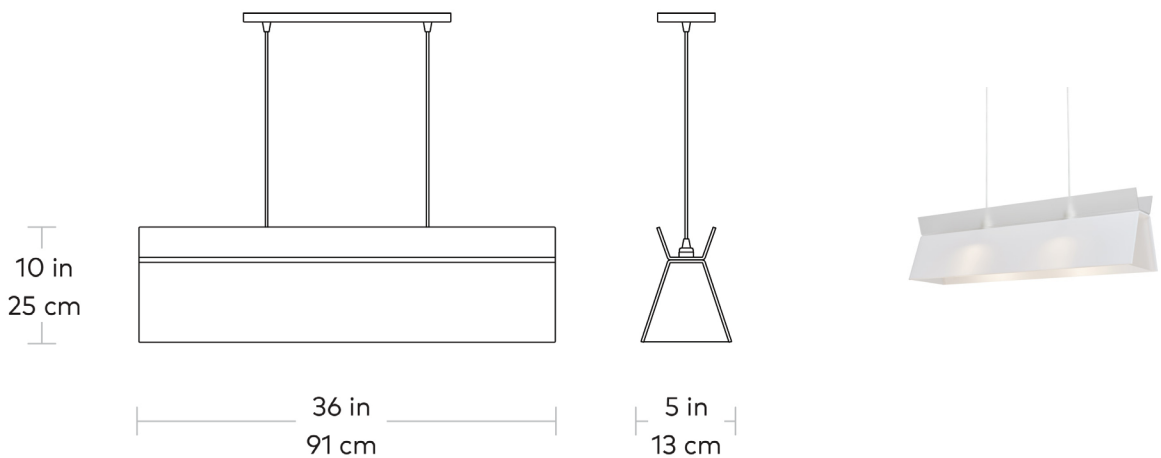


Lido Pendant

Gus*



MATERIALS > Acrylic/Powder-coated Steel

The Lido Pendant transforms the classic linear pendant light into a sculptural design that illuminates and captivates. The long, streamlined form is constructed from two acrylic channels, one of which is inverted, creating a subtle effect of reflection and balance. Two colour options - translucent Smoke Acrylic or the more opaque White/Frosted Acrylic combination - create unique plays of light that are particularly striking over a dining table.

To see all finish options visit gusmodern.com