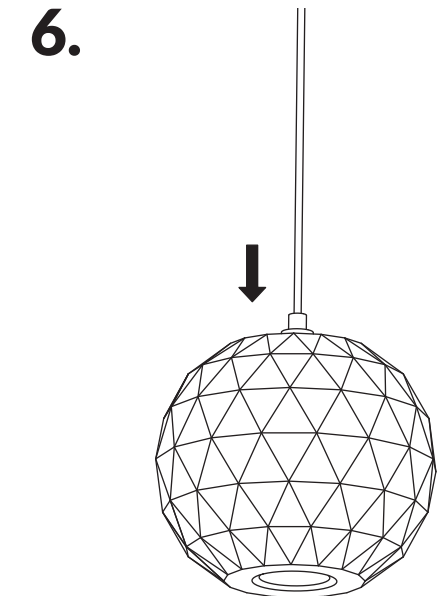
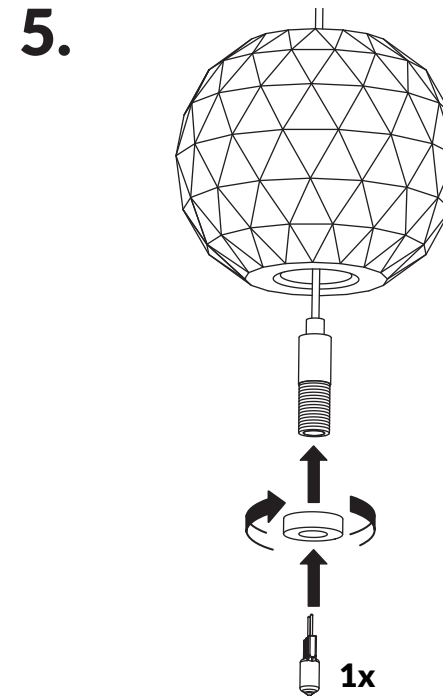
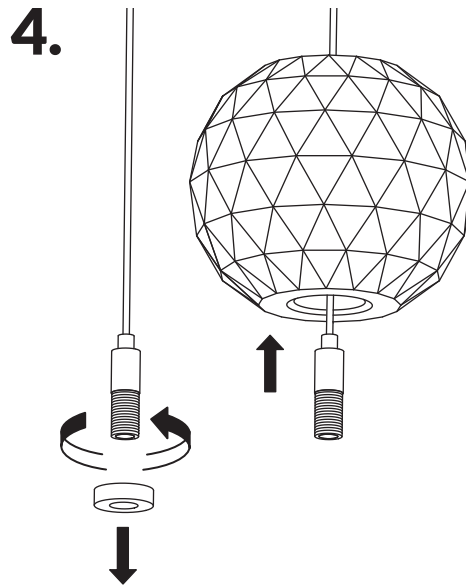
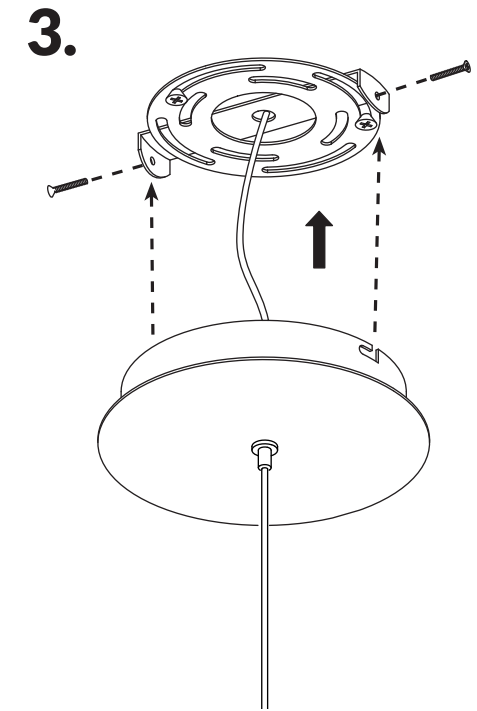
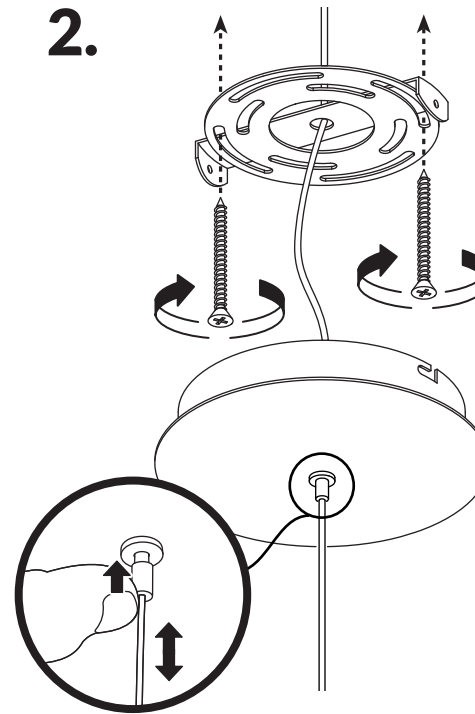
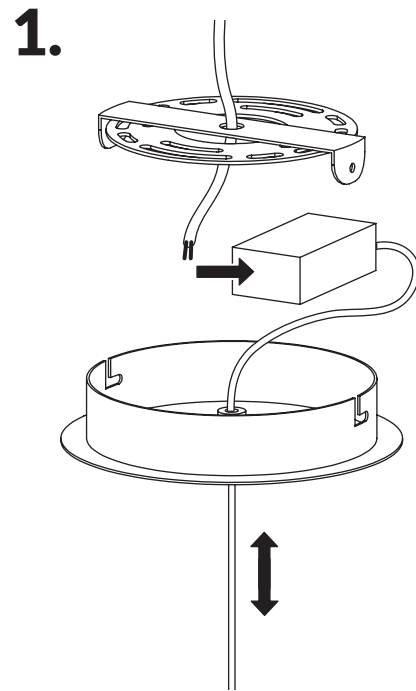


GEMMA

INSTALLATION MANUAL

G-4 Bi-Pin 12V - 120V/220V
20W
G-4 Bi-Pin LED 2700K
12V - 120V/220V



IMPORTANT

Always shut off power to the circuit before starting installation work.



All products are manufactured to meet or exceed North American standards C22-250, UL 1598, C22.2-12, C22.2.9, UL 153.

All preparation for installation of fixture is to be provided by the end user.

The description and measurements on this drawing are for information purposes only.

VISO inc // © 2014 // All rights reserved