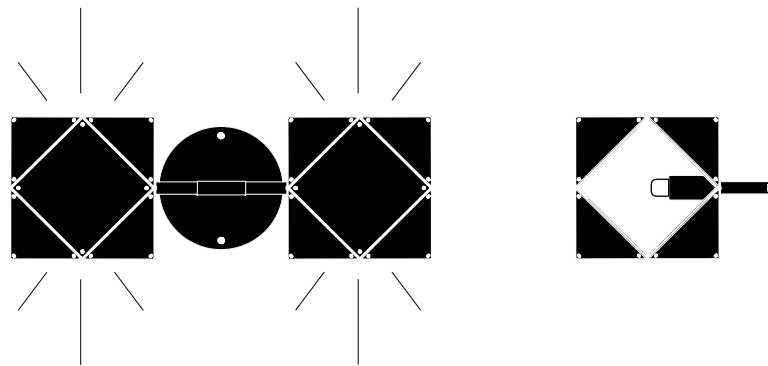


---

# WELLES

Wall-Sconce

---



GABRIEL SCOTT  
EST 2012



[www.GabrielScott.com](http://www.GabrielScott.com)

# WELLES

## Wall Sconce

1/8

Made up of a sequence of interconnected geometric shapes, the WELLES is a modular and customizable lighting-system that forms sculptural and organic shapes in all its various configurations and silhouettes.

From long branches to large clusters, the nature of this metallic light-fixtures allows for infinite silhouette options.

All Gabriel Scott pieces are handmade in Canada.



GABRIEL SCOTT

EST. 2012



372 Broome Street, New York, NY 10013  
(212) 837-2923 • [info@GabrielScott.com](mailto:info@GabrielScott.com)

[www.GabrielScott.com](http://www.GabrielScott.com)

# WELLES

Wall Sconce

2/8



GABRIEL SCOTT

EST. 2012



372 Broome Street, New York, NY 10013  
(212) 837-2923 • [info@GabrielScott.com](mailto:info@GabrielScott.com)

[www.GabrielScott.com](http://www.GabrielScott.com)

# WELLES

Wall Sconce

3/8



from left to right:

**White Exterior / Satin Brass Interior**  
**White Exterior / Satin Copper Interior**  
**White Exterior / Satin Nickel Interior**

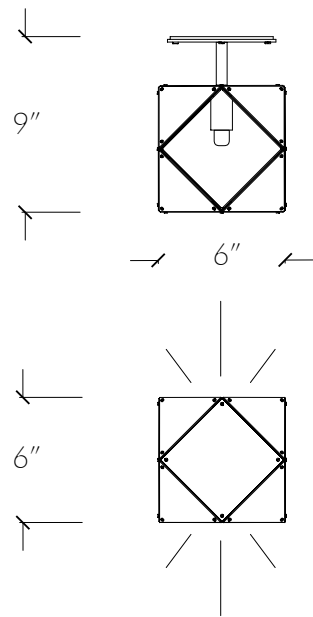
from left to right:

**Black Exterior / Satin Brass Interior**  
**Black Exterior / Satin Copper Interior**  
**Black Exterior / Satin Nickel Interior**

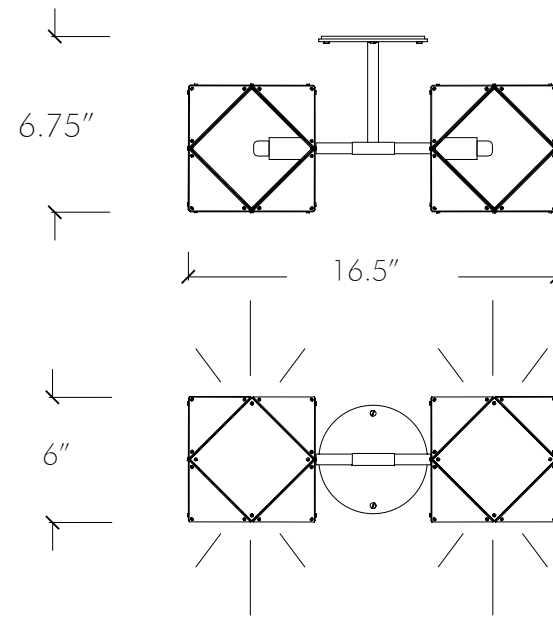
from left to right:

**Satin Brass Exterior / Satin Brass Interior**  
**Satin Copper Exterior / Satin Copper Interior**  
**Satin Nickel Exterior / Satin Nickel Interior**

Standard Dimensions






Single-Sconce



Double-Sconce



## Spec sheet

Product name:	Welles Wall Sconce
Standard Leadtime:	8 - 10 weeks
Dimensions:	Single 6" H x 6" W x 9" from wall Double 6" H x 16.5" W x 6.75" from wall
Light Source:	12V 6 Watt LED bulb (included)
LED driver:	Single: CCT9W500 (110V)  Double: CCT13W500 (110V)  UVC25TD (220V) 
Weight:	single: 5 lbs double: 10 lbs

## Standard Finishes

### Standard cube finish options:

from left to right:

White / Satin Brass  
White / Satin Copper  
White / Satin Nickel



from left to right:

Black / Satin Brass  
Black / Satin Copper  
Black / Satin Nickel



from left to right:

Satin Brass  
Satin Copper  
Satin Nickel



### Standard 5" canopy & monopoint finish options:



Satin Brass   Satin Copper   Satin Nickel   Matte White   Blackened Steel

# 120V 9W PHASE CUT DIMMABLE CONSTANT CURRENT LED DRIVER

### Features:

- Dimmable with MLV, ELV and CL dimmer switches (forward phase / reverse phase / TRIAC)
- Dim down to 5%
- Super compact case
- Class 2
- UL 8750
- Complies with FCC Part 15B
- Auto-Reset protection for short circuits, over-voltage and over-temperature

### Specifications:

Input voltage	100 - 120VAC
Max output voltage	9W
Output voltage range	12 - 18.5 VDC
Output current range	500mA Nominal - 525 Max
Rated output power	6 - 9.25W
Efficiency at max load	> 82 %
THD at max load	< 20 %
Power factor at max load	> 0.9
Environment protection rating	IP21 - Dry and damp location
Tc case max	77c
Ambient op. temp.	-20c ~ 60c
Operating humidity	10% - 60%
Lifetime	50KHrs
Over voltage protection	Auto recovery
Open circuit protection	Max output voltage
Short circuit protection	Auto recovery
Surge protection	1KV
Weight	82 gr / 0.18 lbs
Dimensions	2.16" (55mm) Dia x 0.86" (22mm) H
Placement	Designed to fit in standard 4" junction box

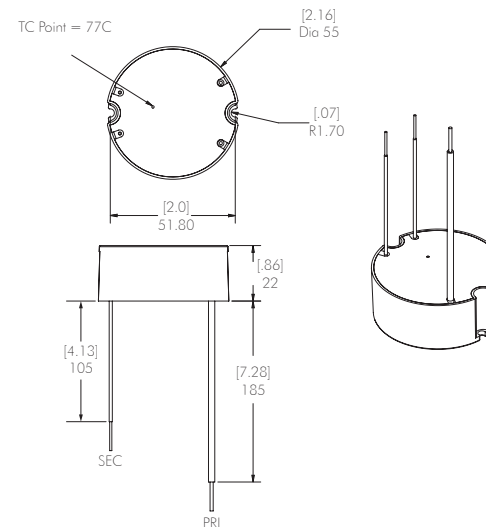
### Compatible Dimmers

#### Leading Edge Dimmer List

LUTRON	Skylark S-600P
LUTRON	Skylark SCL-153P
LUTRON	Diva DVLY-600P
LUTRON	Diva DVCL-153P
LUTRON	Maestro MALV-60
LEVITON	Sureslide 6631
LEVITON	IllumaTech PI06
LEVITON	IllumaTech IPL06-10Z
LEVITON	IllumaTech IPE04-1LZ
LEGRAND	HLV1103PW

#### Trailing Edge Dimmer List

LUTRON	Diva DVELV-303P
LUTRON	DivaDVELV-303P-S
LUTRON	Diva DVSCELV-303P
LUTRON	Diva DVSCELV-303P-L
LUTRON	Diva DVELV-300P
LUTRON	Skylark SELVB-300P
LEVITON	IPE04-1LZ-300W



## 120V 13W PHASE CUT DIMMABLE CONSTANT CURRENT LED DRIVER

### Features:

- Dimmable with MLV, ELV and CL dimmer switches (forward phase / reverse phase / TRIAC)
- Dim down to 5%
- Super compact case
- Class 2
- UL 8750
- Complies with FCC Part 15B
- Auto-Reset protection for short circuits, over-voltage and over-temperature

### Specifications:

Input voltage	100 - 120VAC
Max output voltage	13W
Output voltage range	18 - 26 VDC
Output current range	500mA Nominal - 525 Max
Rated output power	9 - 13W
Efficiency at max load	> 82 %
THD at max load	< 20 %
Power factor at max load	> 0.9
Environment protection rating	IP21 - Dry and damp location
Tc case max	77c
Ambient op. temp.	-20c ~ 60c
Operating humidity	10% - 90%
Lifetime	50KHrs
Over voltage protection	Auto recovery
Open circuit protection	Max output voltage
Short circuit protection	Auto recovery
Surge protection	1KV
Weight	104gr / 3.6oz
Dimensions	2.56" (65mm) Dia x 1.06" (27mm) H
Placement	Designed to fit in standard 4" junction box

### Compatible Dimmers

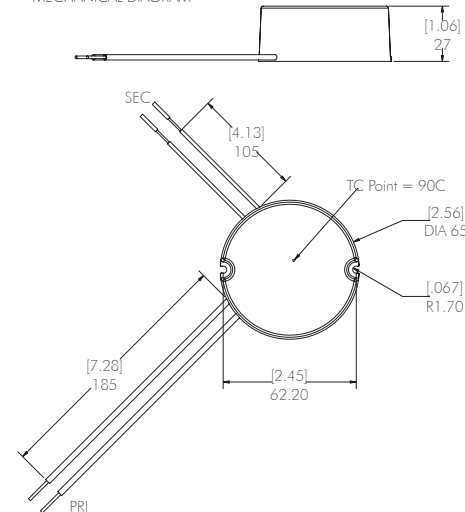
#### Leading Edge Dimmer List

LUTRON	Skylark S-600P
LUTRON	Skylark SCL-153P
LUTRON	Diva DVLY-600P
LUTRON	Diva DVCL-153P
LUTRON	Maestro MALV-60
LEVITON	Sureslide 6631
LEVITON	IllumaTech PI06
LEVITON	IllumaTech IPL06-10Z
LEVITON	IllumaTech IPE04-1LZ
LEGRAND	HLV1103PW

#### Trailing Edge Dimmer List

LUTRON	Diva DVELV-303P
LUTRON	DivaDVELV-303P-S
LUTRON	Diva DVSEELV-303P
LUTRON	Diva DVSEELV-303P-L
LUTRON	Diva DVELV-300P
LEVITON	Skylark SELVB-300P
LEVITON	IPE04-1LZ-300W

MECHANICAL DIAGRAM





### 25W Constant Voltage Triac Dimming LED Driver

Specifications:

Input

<b>Voltage</b>	220V ~ 240VAC
<b>Frequency</b>	50-60 Hz
<b>Current</b>	0.2A
<b>Inrush Current</b>	<2.5A
<b>Power Factor</b>	0.95

Output

<b>Load Voltage</b>	12V
<b>No Load Voltage</b>	12V
<b>Current</b>	2.08Av
<b>Power</b>	25W
<b>Power Factor</b>	> 0.95
<b>Efficiency</b>	80%

Protection

<b>Over Load</b>	Auto Recovery
<b>Short Circuit</b>	Auto Recovery
<b>Over Voltage</b>	Auto Recovery

Environment

<b>Operating Temperature</b>	-20 ~ +50 °C
<b>Storage Temperature</b>	-40 ~ +70 °C
<b>Relative Humidity</b>	5 ~ 95%

Safety & EMC

<b>Safety Standard</b>	Design refers to EN60598, EN61547, EN55024, EN61000-4-2, 3, 4, 6, 8,11, EN61000-3-2, EN61000-3-3
------------------------	--

EMI Standard

Meets Emissions to EN55022, EN55015 Class B

Lifetime

50K hrs at TC max (70c)

Packing

110g

Features

- Constant voltage output
- Fully isolated
- Short circuit, over current and over voltage protection up to 80% efficient
- Fire resistant plastic cover
- Compatible with leading and trailing edge dimmers
- 10 ~ 100% Dimming Load
- 10 ~ 100% Dimming range
- Mains dimmable
- Push terminals for easy installation
- IP44 design for indoor use
- 2 years warranty

