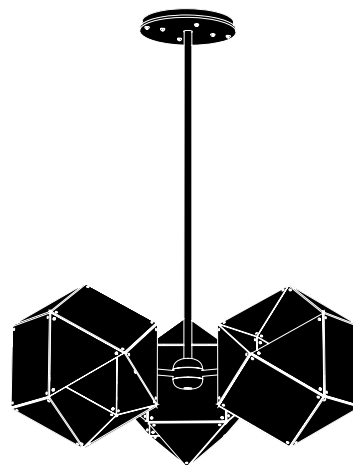

WELLES

Spoke-Pendants



GABRIEL SCOTT
EST 2012



www.GabrielScott.com

WELLES

Spoke Pendant

1/8

Made up of a sequence of interconnected geometric shapes, the WELLES is a modular and customizable lighting-system that forms sculptural and organic shapes in all its various configurations and silhouettes.

From long branches to large clusters, the nature of this metallic light-fixture allows for infinite silhouette options.

All Gabriel Scott pieces are handmade in Canada.



WELLES

Spoke Pendant

2/8



3-Spoke
Underside View

WELLES

Spoke Pendant

3/8



5-Spoke
Underside View

WELLES

Spoke Pendant

4/8



from left to right:

White Exterior / Satin Brass Interior
White Exterior / Satin Copper Interior
White Exterior / Satin Nickel Interior

from left to right:

Black Exterior / Satin Brass Interior
Black Exterior / Satin Copper Interior
Black Exterior / Satin Nickel Interior

from left to right:

Satin Brass Exterior / Satin Brass Interior
Satin Copper Exterior / Satin Copper Interior
Satin Nickel Exterior / Satin Nickel Interior

WELLES

Spoke Pendant

5/8

Spec sheet

Product name:	Welles Spoke Pendant
Standard Leadtime:	12 - 14 weeks
Dimensions:	18" Dia x 7.5" H + stem
Standard Stem Lengths	6", 12", 18" or 24"
Additional Stem Lengths (up-charge applies)	30", 36", 42" or 48"
Light Source:	12V 6 Watt LED bulb (included)
LED driver:	Double: CCT13W500 (110V)  UVC25TD (220V) 
Weight:	3-Spoke 25 lbs 5-Spoke 35 lbs

Standard Finishes

Standard cube finish options:

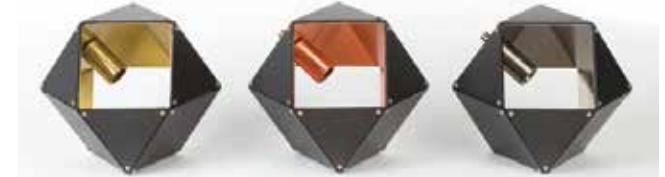
from left to right:

White / Satin Brass
White / Satin Copper
White / Satin Nickel



from left to right:

Black / Satin Brass
Black / Satin Copper
Black / Satin Nickel



from left to right:

Satin Brass
Satin Copper
Satin Nickel



Standard 5" canopy & monopoint finish options:



Satin Brass Satin Copper Satin Nickel Matte White Blackened Steel

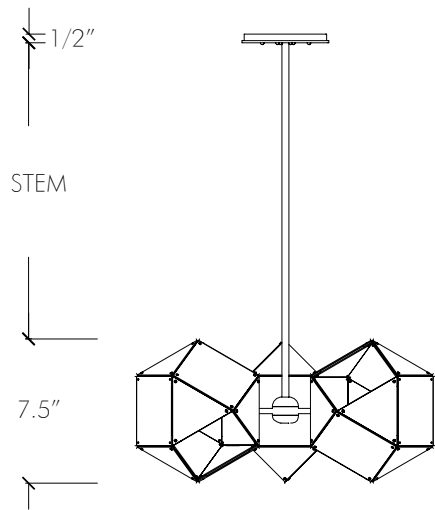
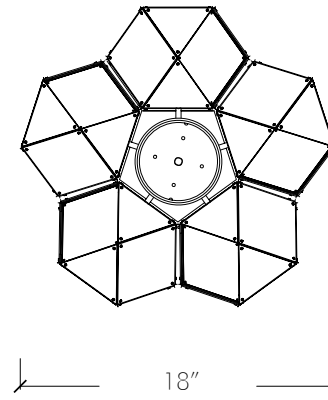
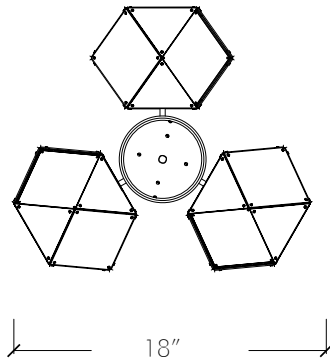
WELLES

Spoke Pendant

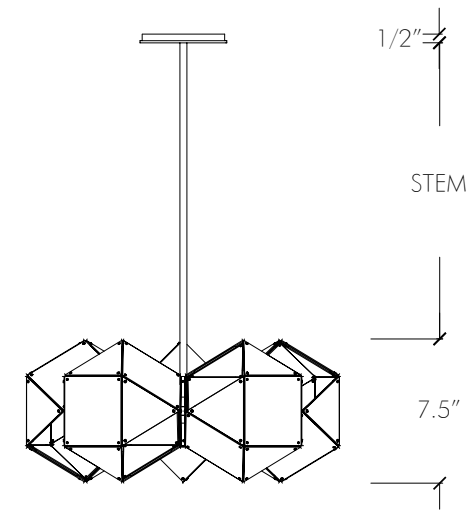
6/8

Standard Dimensions

PLAN VIEW



3-SPOKE



5-SPOKE



120V 13W PHASE CUT DIMMABLE CONSTANT CURRENT LED DRIVER

Features:

- Dimmable with MLV, ELV and CL dimmer switches (forward phase / reverse phase / TRIAC)
- Dim down to 5%
- Super compact case
- Class 2
- UL 8750
- Complies with FCC Part 15B
- Auto-Reset protection for short circuits, over-voltage and over-temperature

Specifications:

Input voltage	100 - 120VAC
Max output voltage	13W
Output voltage range	18 - 26 VDC
Output current range	500mA Nominal - 525 Max
Rated output power	9 - 13W
Efficiency at max load	> 82 %
THD at max load	< 20 %
Power factor at max load	> 0.9
Environment protection rating	IP21 - Dry and damp location
Tc case max	77c
Ambient op. temp.	-20c ~ 60c
Operating humidity	10% - 90%
Lifetime	50KHrs
Over voltage protection	Auto recovery
Open circuit protection	Max output voltage
Short circuit protection	Auto recovery
Surge protection	1KV
Weight	104gr / 3.6oz
Dimensions	2.56" (65mm) Dia x 1.06" (27mm) H
Placement	Designed to fit in standard 4" junction box

Compatible Dimmers

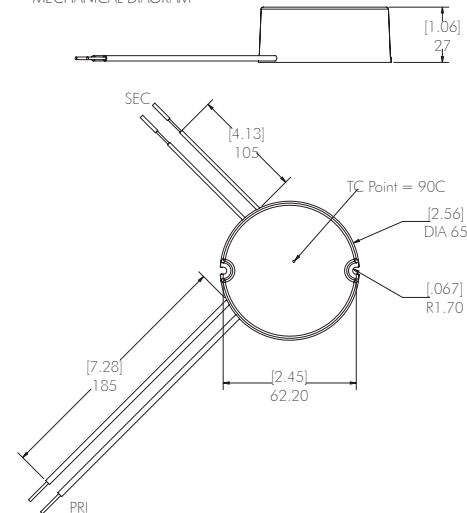
Leading Edge Dimmer List

LUTRON	Skylark S-600P
LUTRON	Skylark SCL-153P
LUTRON	Diva DVLY-600P
LUTRON	Diva DVCL-153P
LUTRON	Maestro MALV-60
LEVITON	Sureslide 6631
LEVITON	IllumaTech PI06
LEVITON	IllumaTech IPL06-10Z
LEVITON	IllumaTech IPE04-1LZ
LEGRAND	HLV1103PW

Trailing Edge Dimmer List

LUTRON	Diva DVELV-303P
LUTRON	DivaDVELV-303P-S
LUTRON	Diva DVSEELV-303P
LUTRON	Diva DVSEELV-303P-L
LUTRON	Diva DVELV-300P
LUTRON	Skylark SELVB-300P
LEVITON	IPE04-1LZ-300W

MECHANICAL DIAGRAM



25W Constant Voltage Triac Dimming LED Driver

Specifications:

Input

Voltage	220V ~ 240VAC
Frequency	50-60 Hz
Current	0.2A
Inrush Current	<2.5A
Power Factor	0.95

Output

Load Voltage	12V
No Load Voltage	12V
Current	2.08Av
Power	25W
Power Factor	> 0.95
Efficiency	80%

Protection

Over Load	Auto Recovery
Short Circuit	Auto Recovery
Over Voltage	Auto Recovery

Environment

Operating Temperature	-20 ~ +50 °C
Storage Temperature	-40 ~ +70 °C
Relative Humidity	5 ~ 95%

Safety & EMC

Safety Standard	Design refers to EN60598, EN61547, ENV55024, EN61000-4-2, 3, 4, 6, 8,11, EN61000-3-2, EN61000-3-3
------------------------	---

EMI Standard

Meets Emissions to EN55022, EN55015 Class B

Lifetime

50K hrs at TC max (70c)

Packing

110g

Features

- Constant voltage output
- Fully isolated
- Short circuit, over current and over voltage protection up to 80% efficient
- Fire resistant plastic cover
- Compatible with leading and trailing edge dimmers
- 10 ~ 100% Dimming Load
- 10 ~ 100% Dimming range
- Mains dimmable
- Push terminals for easy installation
- IP44 design for indoor use
- 2 years warranty

