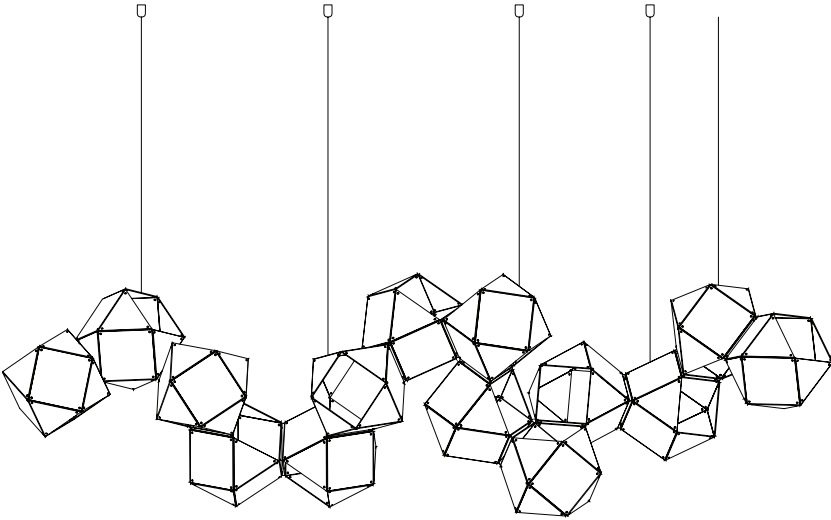




FILE#: E356487



WELLES

CHANDELIER

Installation Guide

- Suspended mounted only.
- Certified electrician recommended for electrical installation.
- Minimum 2 people recommended for installation.
- Terminal Block not included. Installation may require advice from a qualified person.
- Junction box rated for minimum of 100lbs or structural blocking required to support fixture.
- Structural blocking required at monopoint locations, adequate drywall plugs may be substituted.
- For all LED fixtures, use only with class 2 power unit.
- The light source contained in this luminaire shall only be replaced by the manufacturer or his service agent or a similar qualified person. Contact manufacturer for service.

***IMPORTANT: Please provide email confirmation that your order and its related components have been received in their entirety and in good condition. Failure to do so within 7 days of delivery will waive all product warranties.**

GABRIEL SCOTT

EST. 2012



Provided Supplies:

- Welles Fixture
- Hanging Template
- Male monopoints
- Provided bulbs(Incandescent fixtures only)
- Universal T-bar
- Installation Screws
- LED Driver
- Spare LED chip

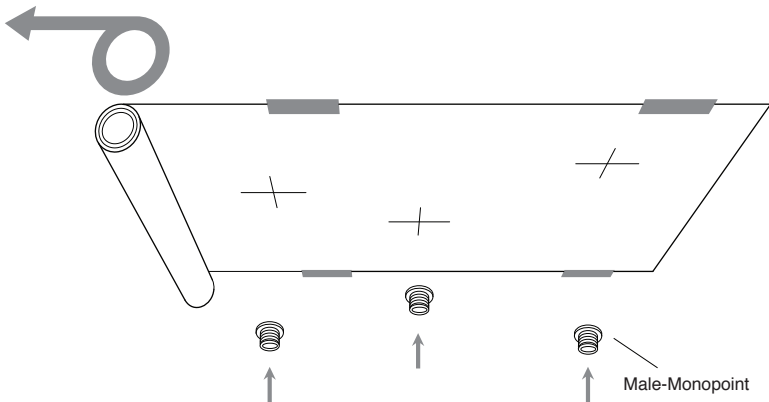
Required Tools:

- Screwdriver
- Drywall anchor suitable for 25lbs. on ceiling mount
- 4x 2-pole Wiring Terminals, screw or screwless, 12-18AWG (1.0-2.5mm²), rated for 600V, 15A - EX: WAGO 222-412
- Requires LED driver; Input: Local Line Voltage, Output 12Vdc SELV, 5A, Max 60 Watt, Class 2 LED Driver.

STEP
1

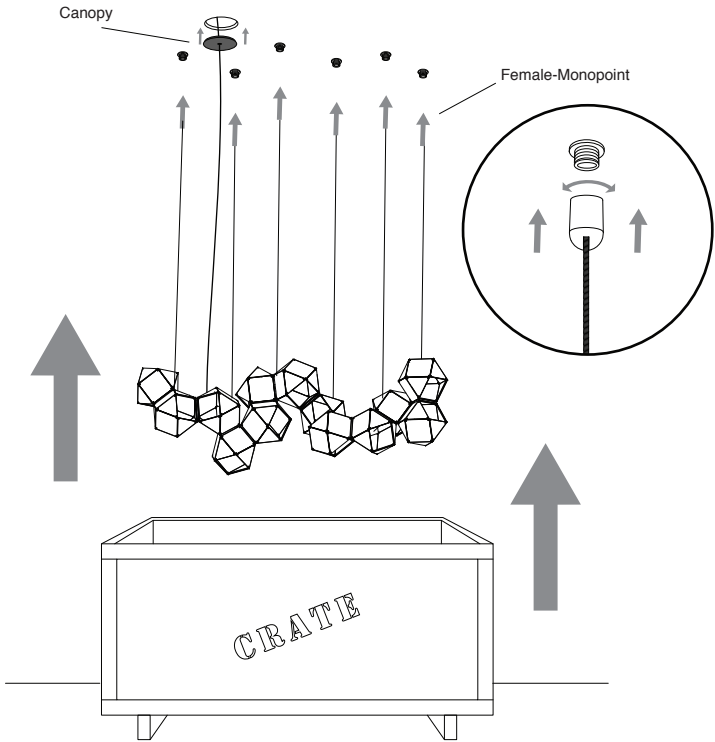
Tape provided 1:1 printed template to ceiling along desired location and install all male-monopoints along the crosses shown.

(Note: Each of the WELLES cubes are 5 lbs in weight and therefore adequate blocking or toggle bolts are required for proper support at location of each male-monopoint.)



STEP
2

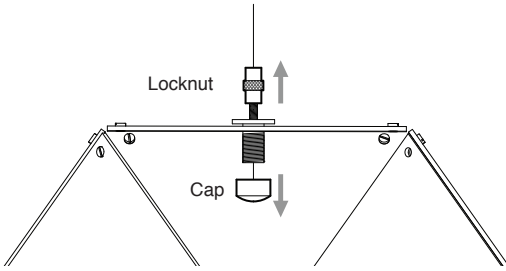
Supporting the fixture with at least TWO other people, screw the female-monopoint into the male-monopoints at the ceiling.



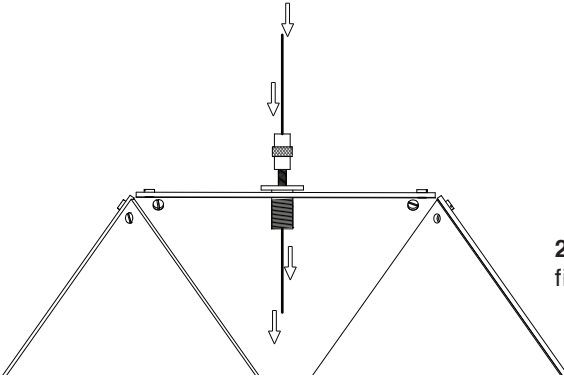
STEP
3

In order to adjust each of the support cables, start at one end of the fixture, and proceed with the following steps:

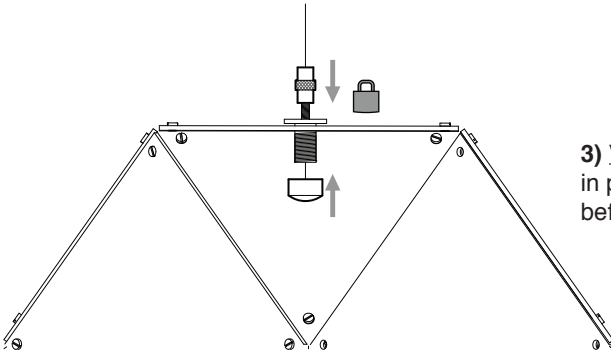
*****IMPORTANT: Fixture is to be properly supported until final step is complete.**



1) Loosen locknut from cable-gripper, and remove cap from interior of cube.



2) Start feeding cable to raise fixture to desired height.



3) Very tightly secure locknut back in place, and cut excess cable before reattaching bottom cap.



e: info@GabrielScott.com

t: (646) 783-3770