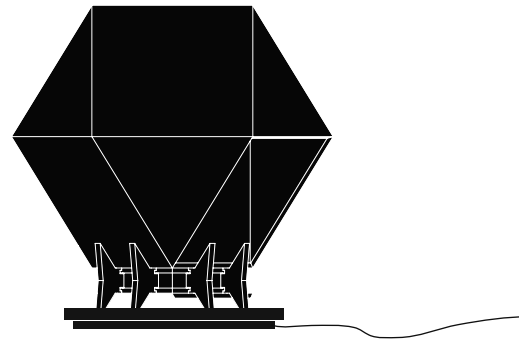


---

# WELLES DOUBLE-BLOWN GLASS

Desk Lamp



GABRIEL SCOTT  
EST 2012



[www.GabrielScott.com](http://www.GabrielScott.com)

# WELLES Double-Blown Glass Desk Lamp

---

1/4

Single gem-like glass forms are held by contrasting metallic prongs, reminiscent of custom crafted jewelry, these exquisite pieces are available in Smoked-Gray, Alabaster-White and California-Pink glass.

The WELLES silhouette is created through an intricate double-blown glass process, during which colored glass is enclosed in a solid clear body and then expertly polished and shaped to its recognizable form.

All Gabriel Scott pieces are handmade in Canada.



# WELLES Double-Blown Glass Desk Lamp

---

2/4



Smoked Gray / Brass

California Pink / Copper

Alabaster White / Brass

# WELLES Double-Blown Glass Desk Lamp

3/4

## Spec sheet

Product name:	Welles Glass Wall Sconce
Standard Leadtime:	8 - 10 weeks
Dimensions:	7" Dia x 7 5/8" Ht
Light Source:	110V 60Hz 15Watt incandescent Bulb (included)
Weight:	5 lbs
	See Installation guide for installation details

## Standard Finishes

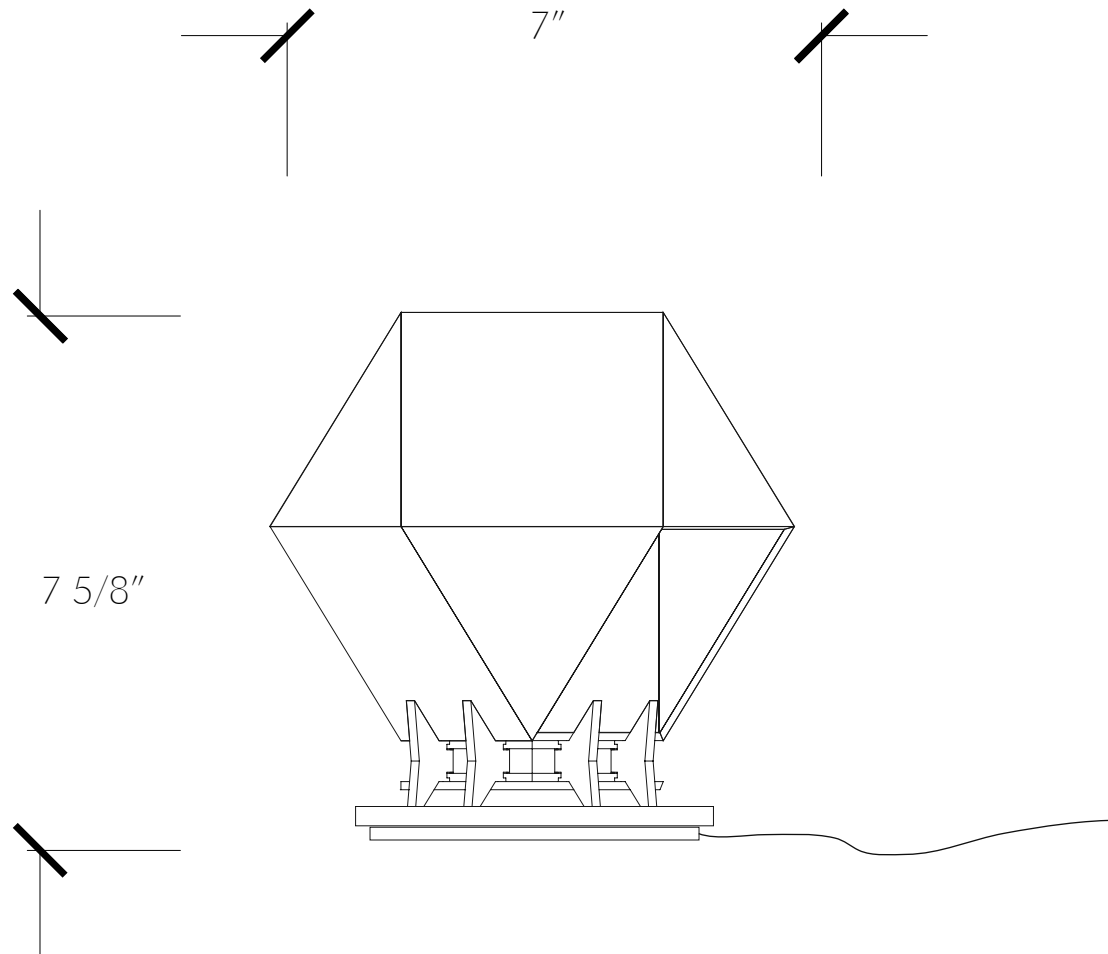
### Standard cube finish options:



# WELLES Double-Blown Glass Desk Lamp

4/4

## Standard Dimensions



GABRIEL SCOTT

EST. 2012



372 Broome Street, New York, NY 10013  
(212) 837-2923 • info@GabrielScott.com

[www.GabrielScott.com](http://www.GabrielScott.com)