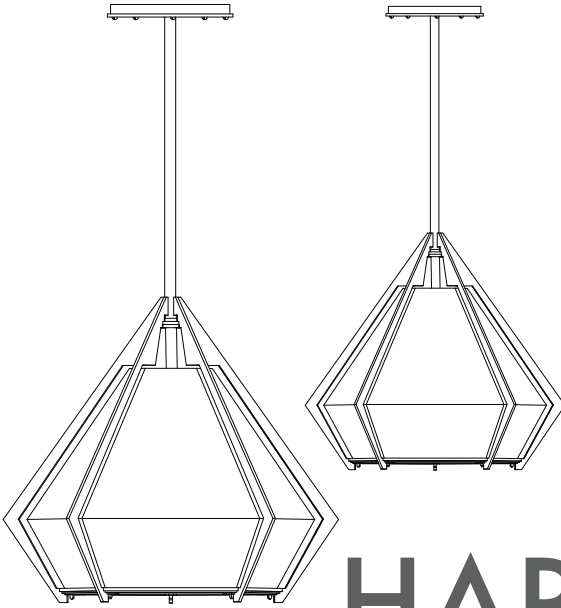




FILE#: E356487



# HARLOW PENDANT

## Installation Guide

- Suspended mounted only.
- Certified electrician recommended for electrical installation.
- Minimum 1 people recommended for installation.
- Terminal Block not included. Installation may require advice from a qualified person.
- Junction box rated minimum to support 50 lbs required.
- Structural blocking required to support fixture.
- For all LED fixtures, use only with class 2 power unit.
- The light source contained in this luminaire shall only be replaced by the manufacturer or his service agent or a similar qualified person. Contact manufacturer for service.

**\* IMPORTANT: Please provide email confirmation that your order and its related components have been received in their entirety and in good condition. Failure to do so within 7 days of delivery will waive all product warranties.**

GABRIEL SCOTT

EST. 2012



## Provided Supplies

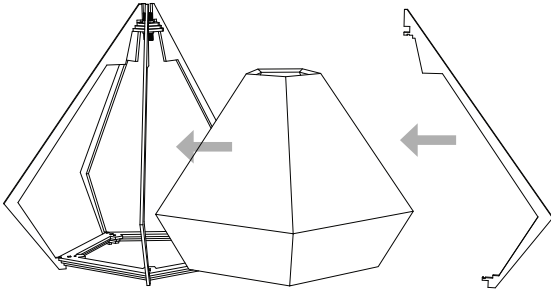
- Pendant Frame
- Socket Assembly
- Stem
- Canopy + Screws
- T-Bar
- Hex Nuts + IPS Nipples
- Provided bulbs (Incandescent fixtures only)
- Glass Head (separate box)
- LED Driver
- Spare LED chip

## Required Tools:

- Screwdriver
- 4x 2-pole Wiring Terminals, screw or screwless, 12-18AWG (1.0-2.5mm2), rated for 600V, 15A - EX: WAGO 222-412
- Requires LED driver; Input: Local Line Voltage, Output 12Vdc SELV, 5A, Max 60 Watt, Class 2 LED Driver.

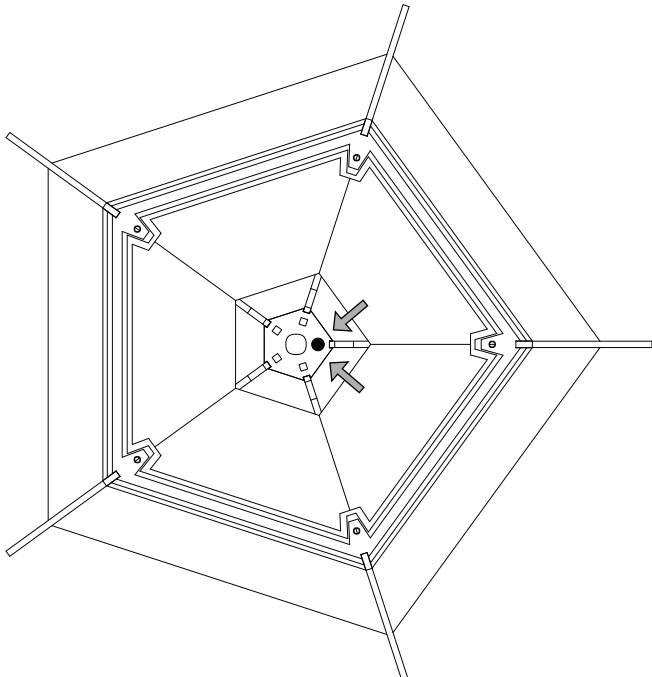
STEP  
1

Unscrew and remove arm indicated with tag. (1x screw)  
Carefully slide glass into metal Harlow frame.  
Once in place, reattach the removed arm.



STEP  
2

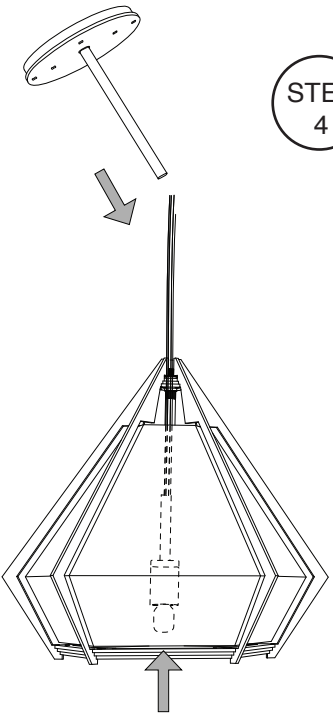
Secure the removable arm by screwing back the set-screw through the underside of the fixture.



STEP  
3

From the bottom, pass the light socket (wires first) vertically through the bottom threaded nipple at the top of the Harlow metal frame. Gently screw the leading end of rod into the exposed threaded nipple on the Harlow metal frame.

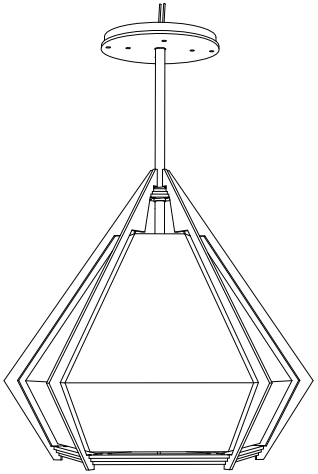
*\*Turn the wires simultaneously to prevent them from twisting and bunching.*



STEP  
4

Pass the wires through the stem section with the canopy attached and screw this section onto the top threaded nipple.

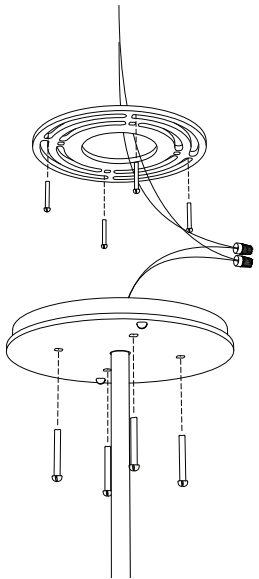
*\*Hold the wires still during this part to prevent them from twisting and bunching.*



STEP  
5

Attach the provided T-Bar onto your ceiling junction box. Make the appropriate wire connections.

Using the provided screws, attach the canopy and Harlow Pendant to the T-bar and secure firmly.





e: [info@GabrielScott.com](mailto:info@GabrielScott.com)

t: (646) 783-3770