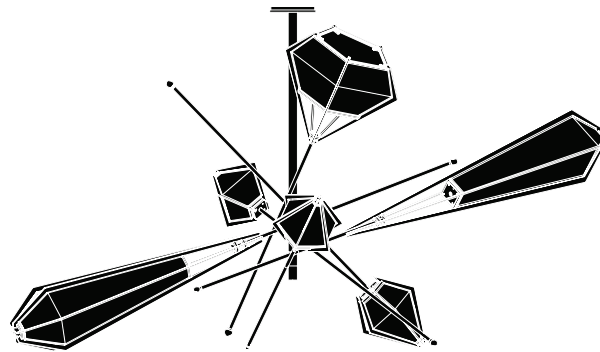

HARLOW

Chandelier



GABRIEL SCOTT
EST 2012



www.GabrielScott.com

HARLOW

Large Chandelier

1/8

Elegant sculptural light-fixture inspired by jewelry design featuring a mold-blown glass gem in a chic metallic setting to create an asymmetrical starburst of light.

HARLOW is available in various color ways, and held in a metallic frame referencing a prong setting, the alabaster glass makes for a beautiful diffuser of soft light, while the prong-inspired hardware adds glamour to each fixture.

All Gabriel Scott pieces are handmade in Canada.



HARLOW

Large Chandelier

2/8



HARLOW

Large Chandelier

3/8



HARLOW

Large Chandelier

4/8



HARLOW

Large Chandelier

5/8

Spec sheet



Product name: Harlow Large Chandelier

Standard Leadtime: 12-14 weeks

Dimensions: 33" x 67" x 40" H + stem
84cm x 170cm x 102cm H + stem

Light Source: 12V 6 Watt LED bulb (included)

Standard Stem Length: 3" 6" 9" 12"
(additional lengths can be available upon request) 8cm 15cm 23cm 30cm

LED driver: E60R12DC (110V) 
UVC50TD (220V) 

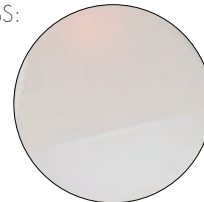
Weight: 75 lbs / 34 Kg

See Installation guide for installation details

Standard Finishes

Standard finish options:

BLOWN
GLASS:



Alabaster White

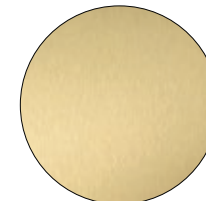


Smoked Gray

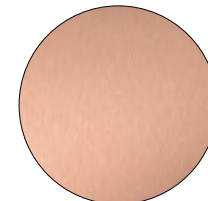
FRAME:



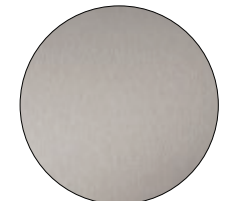
Blackened Steel



Satin Brass



Satin Copper



Satin Nickel

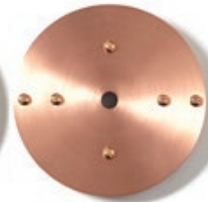
Standard 5" canopy finish options:



Blackened Steel



Satin Brass



Satin Copper



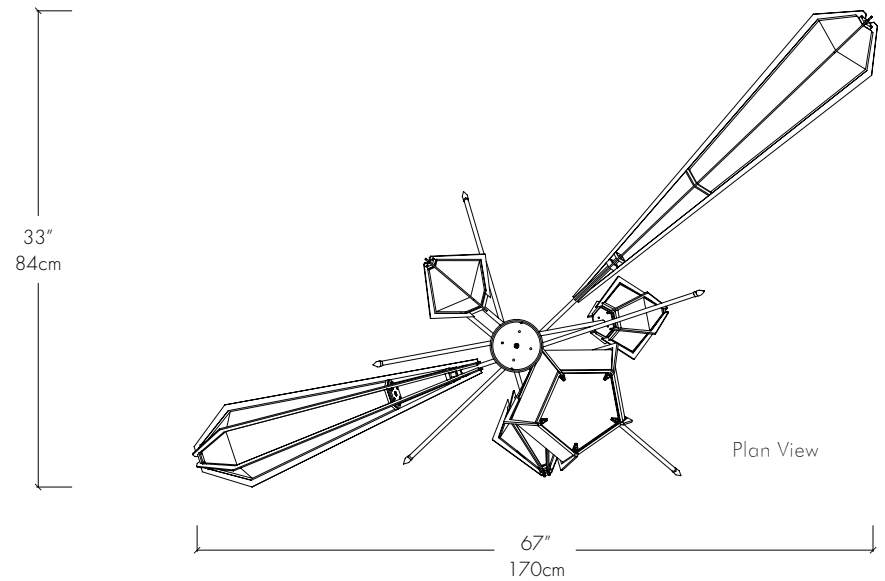
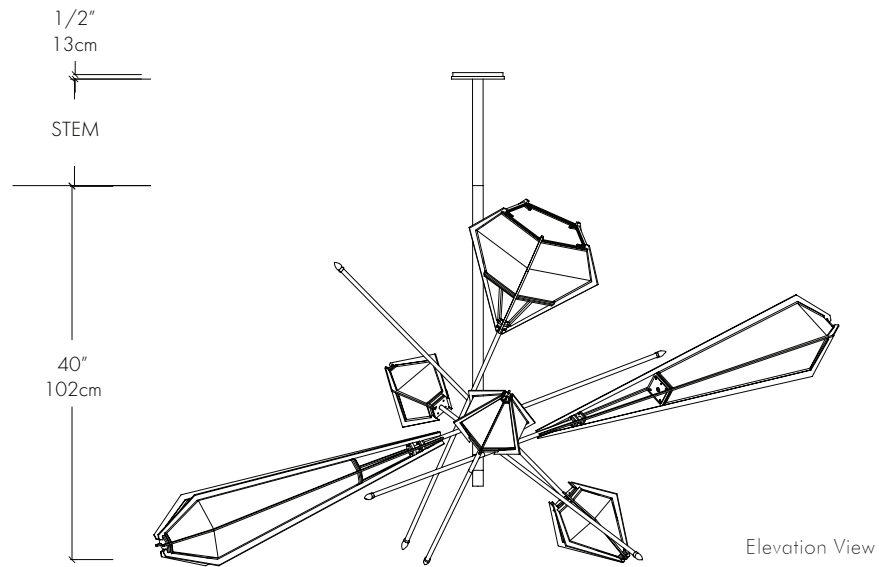
Satin Nickel

HARLOW

Large Chandelier

6/8

Standard Dimensions



GABRIEL SCOTT

EST. 2012



372 Broome Street, New York, NY 10013
(212) 837-2923 • info@GabrielScott.com

www.GabrielScott.com

LED DRIVER

E60R12DC 120V

7/8

60W 12V DC LED Driver

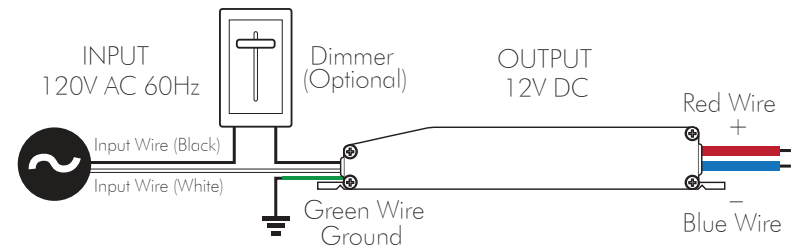
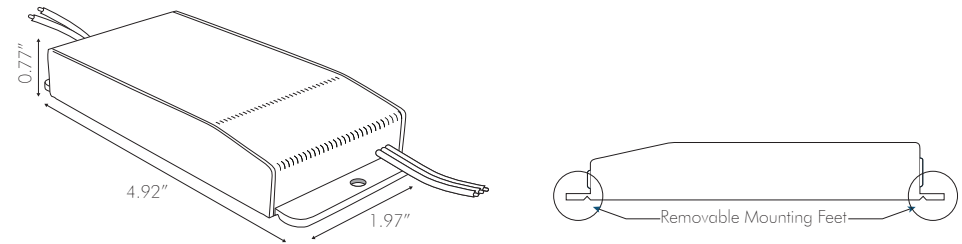
Features:

Dimmable with any standard MLV/Incandescent TRIAC - (Leading edge) dimmer switch
Super compact ALUMINUM CASE
Class 2UL 8750IP67 - Withstands wet and salty conditions
Auto-Reset Protection for short circuits & over-voltage
FCC 15 part 212V DC
True RMS

Specifications:

Max Load	60W
Input Voltage	120V AC
Input Current at Max Load	0.61 A
Output Voltage	12V DC
Output Current at Max load	5A
Power Factor	0.95
Efficiency	> 90 %
Operating Temp.	-20c ~ 70c (-4F ~ 158F)
Overcurrent	Yes
Over temperature	Yes
Open circuit protection	Yes
Input Wires (White / Black)	18 AWG
Output Wires (Red / Black)	14 AWG
Dimensions	4.92" x 1.97" x 0.77"
Weight	9 oz

Magnitude's E60R12DC dimmable voltage LED driver is class 2 rated and designed to operate with any standard MLV/Incandescent TRIAC (Leading edge) dimmer switch. The driver's low profile aluminum case makes it the perfect choice for under cabinet lights, tape lights and various LED fixtures installations. Our electrical specification includes Auto Reset, over current and short circuit protection. Efficiency of 90% and higher allows the driver to operate at low temperatures.



*For smooth dimming 8W minimum load is required

50W Constant Voltage Triac Dimming LED Driver

Specifications:

Input voltage	220V - 240VAC
Input frequency	50 - 60 Hz
Input current	0.4A
Inrush current	<2.5A
Power factor	0.95
Output load Voltage	12V
Output current	4.16A
Output power	50W
Power factor	>0.95
Efficiency TYP	>80%

Protection:

Overload	Auto recovery
Short circuit	Auto recovery
Over Voltage	Auto recovery

Environment:

Operating temp	-20c - +50c
Storage temp	-40c - +70c
Relative humidity	5 - 95 %

Safety Standard:

Design refers to EN60598, EN61547, EN55024, EN61000-4-2, 3, 4, 6, 8,11, EN61000-3-2, EN61000-3-3

EMI Standard:

Meets Emissions to EN55022, EN55015 Class B

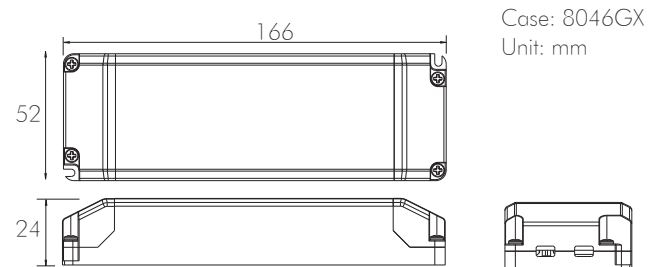
Weight:

200g

Features:

- Constant voltage output
- Fully isolated
- Short circuit, over current and over voltage protection up to 80% efficient
- Fire resistant plastic cover
- Compatible with leading and trailing edge dimmers
- 20 ~ 100% Dimming Load
- 10 ~ 100% Dimming range
- Mains dimmable
- Screw terminals
- IP44 design for indoor use
- 2 years warranty

Mechanical Diagram



LED Configuration

