

Frame, Nature's, *Imprint.*

design Terzani Lab
terzani.com



Type | Pendant
Materials | Clear

Finishes | **Code**

- White Clear  0Q01S E8 A9
- Coral Clear  0Q01S H1 A9
- Silver Clear  0Q01S G7 A9
- Gold Clear  0Q01S L6 A9

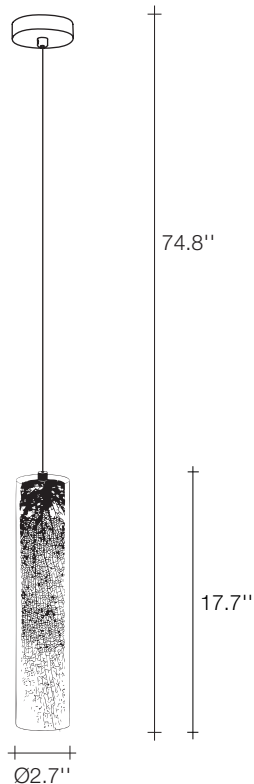
Light Source |



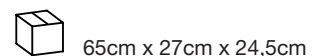
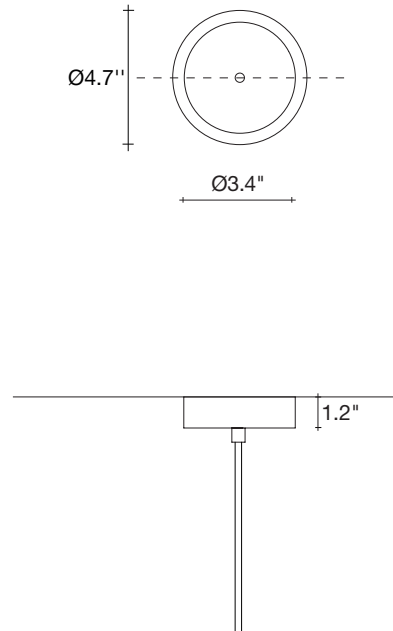
Capturing a moment in time, Frame features a metal coral leaf, enclosed inside a borosilicate glass preserving a delicate imprint of nature. Hidden inside is a single bulb which glows from within. Creating a stirring light that projects a dynamic shadow due to the permeable coral. Frame is available in white, red, gold plated or silver plated. Design Terzani Lab.



Body |



Canopy |



Frame, Nature's, *Imprint.*

design Terzani Lab
terzani.com



Type | Pendant
Materials | Clear

Finishes | **Code**

White Clear  0Q02S E8 A9

Coral Clear  0Q02S H1 A9

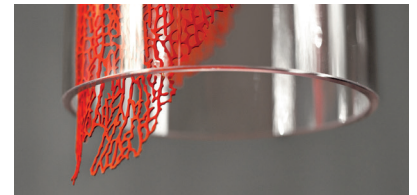
Silver Clear  0Q02S G7 A9

Gold Clear  0Q02S L6 A9

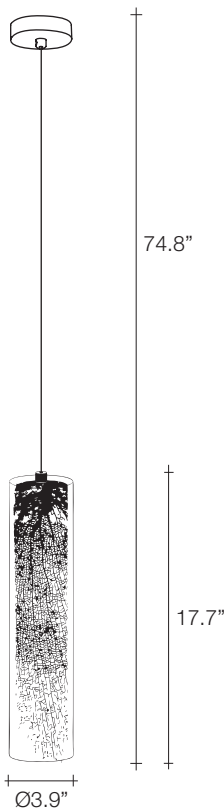
Light Source |



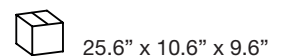
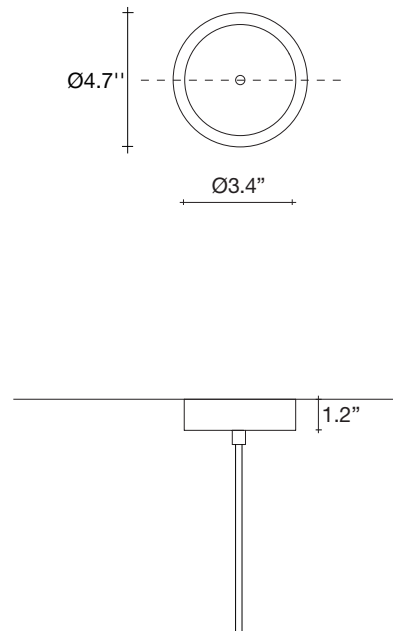
Capturing a moment in time, Frame features a metal coral leaf, enclosed inside a borosilicate glass preserving a delicate imprint of nature. Hidden inside is a single bulb which glows from within. Creating a stirring light that projects a dynamic shadow due to the permeable coral. Frame is available in white, red, gold plated or silver plated. Design Terzani Lab.



Body |



Canopy |



Frame, Nature's, *Imprint.*

design Terzani Lab
terzani.com



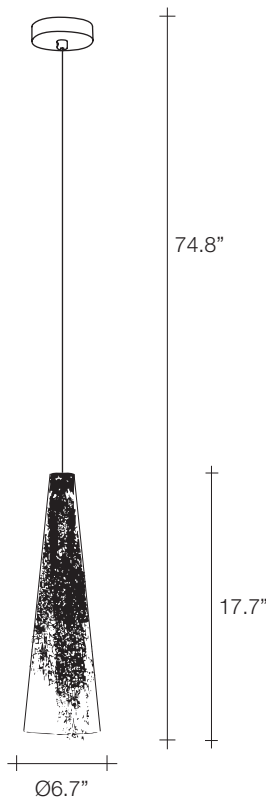
Type		Pendant
Materials		Clear
Finishes		Code
White Clear		0Q03S E8 A9
Coral Clear		0Q03S H1 A9
Silver Clear		0Q03S G7 A9
Gold Clear		0Q03S L6 A9

Capturing a moment in time, Frame features a metal coral leaf, enclosed inside a borosilicate glass preserving a delicate imprint of nature. Hidden inside is a single bulb which glows from within. Creating a stirring light that projects a dynamic shadow due to the permeable coral. Frame is available in white, red, gold plated or silver plated. Design Terzani Lab.

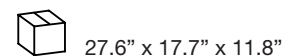
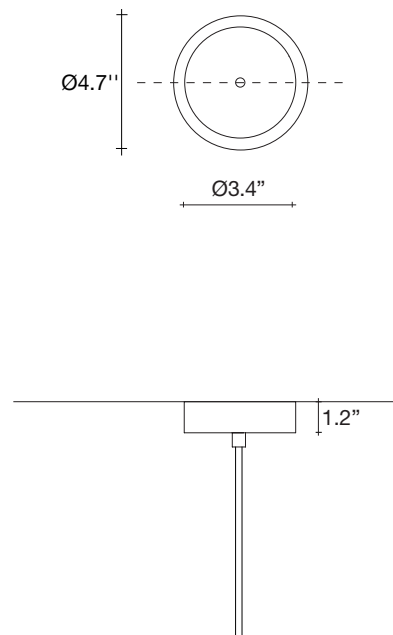
Light Source |



Body |



Canopy |



Frame, Nature's, *Imprint.*

design Terzani Lab
terzani.com

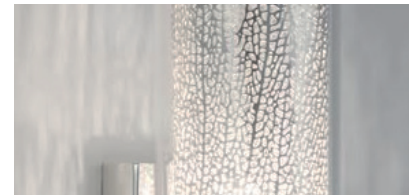
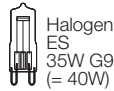


Type | Wall sconce
Materials | Clear

Finishes		Code
White Clear		0Q04A E8 A9
Coral Clear		0Q04A H1 A9
Silver Clear		0Q04A G7 A9
Gold Clear		0Q04A L6 A9

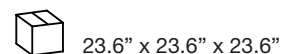
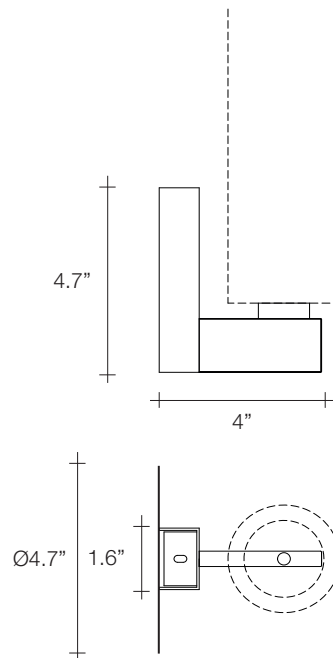
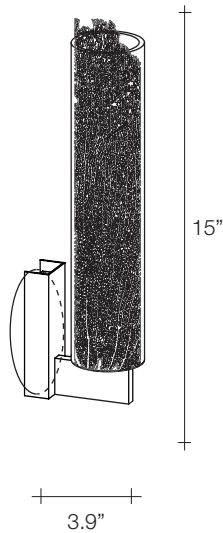
Capturing a moment in time, Frame features a metal coral leaf, enclosed inside a borosilicate glass preserving a delicate imprint of nature. Hidden inside is a single bulb which glows from within. Creating a stirring light that projects a dynamic shadow due to the permeable coral. Frame is available in white, red, gold plated or silver plated. Design Terzani Lab.

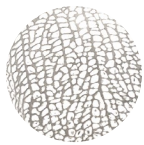
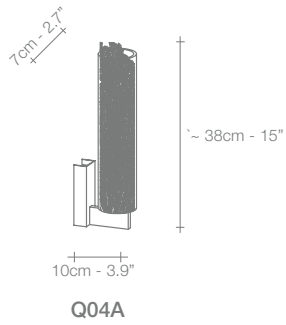
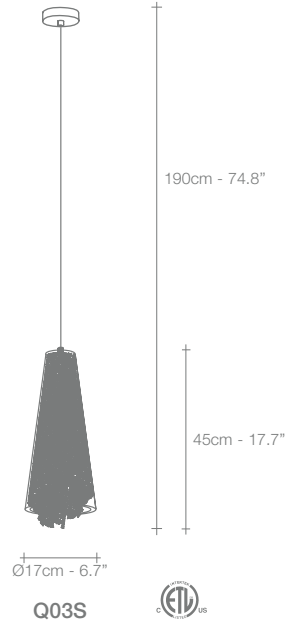
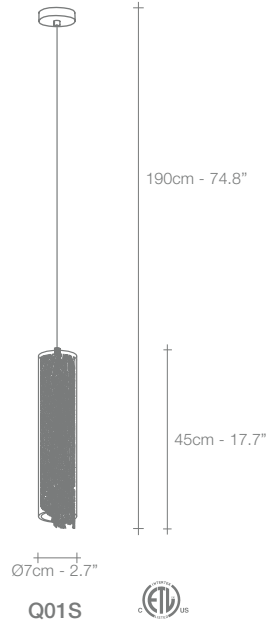
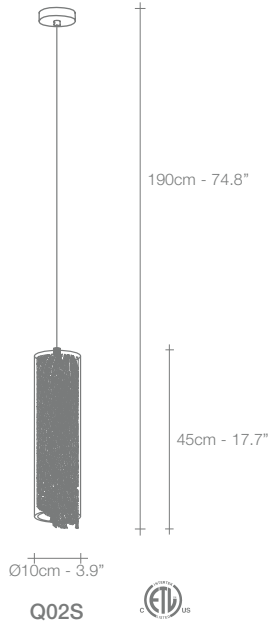
Light Source |



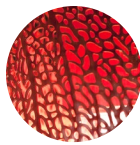
Body |

Canopy |





WHITE



CORAL



SILVER



GOLD

	Q01S	Q02S	Q03S	Q04S
230V	 HALOGEN ES E14	28W (=40W)	28W (=40W)	42W (=60W)
120V	 FLAME CA 10 E12	40W	40W	 HALOGEN JCD G9

LED LIGHT BULBS MAY BE USED