

# Facet Wall

by Tom Kirk



Innermost WEEE  
registration number:  
WEE/FH1713VS

## SAFETY WARNINGS

Installation should only be undertaken by a qualified electrician.

## TECHNICAL INFORMATION

Facet Wall - 2 x G9 MAX. 25W (EU/UK)

Recommended bulb: G9 LED Bulb up to 350 Lumens output, dimmable

## CLEANING AND CARE

Switch off the luminaire before cleaning and relamping.

Regularly dust with feather duster. If necessary, gently rub with non-abrasive cloth.

Hold each facet with one hand to support while cleaning and use cloth in other hand. Wear white gloves supplied with product.

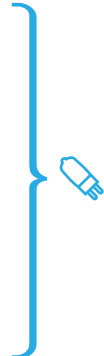
**innermost**

FACET WALL

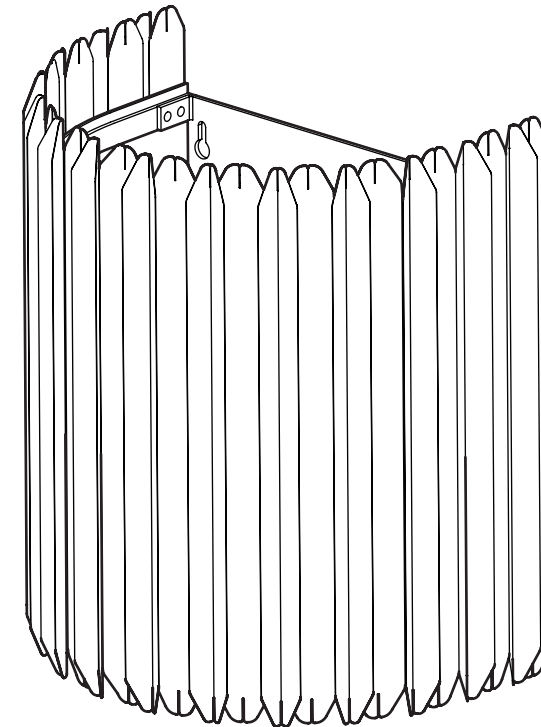
WF039120-XX



This luminaire is compatible with bulbs of the energy classes:



874/2012



INSTALLATION GUIDE FOR :

Facet Wall EU/UK

Stainless Steel - WF03912003

Brass - WF03912030

For further information, please contact:  
[info@innermost.net](mailto:info@innermost.net)

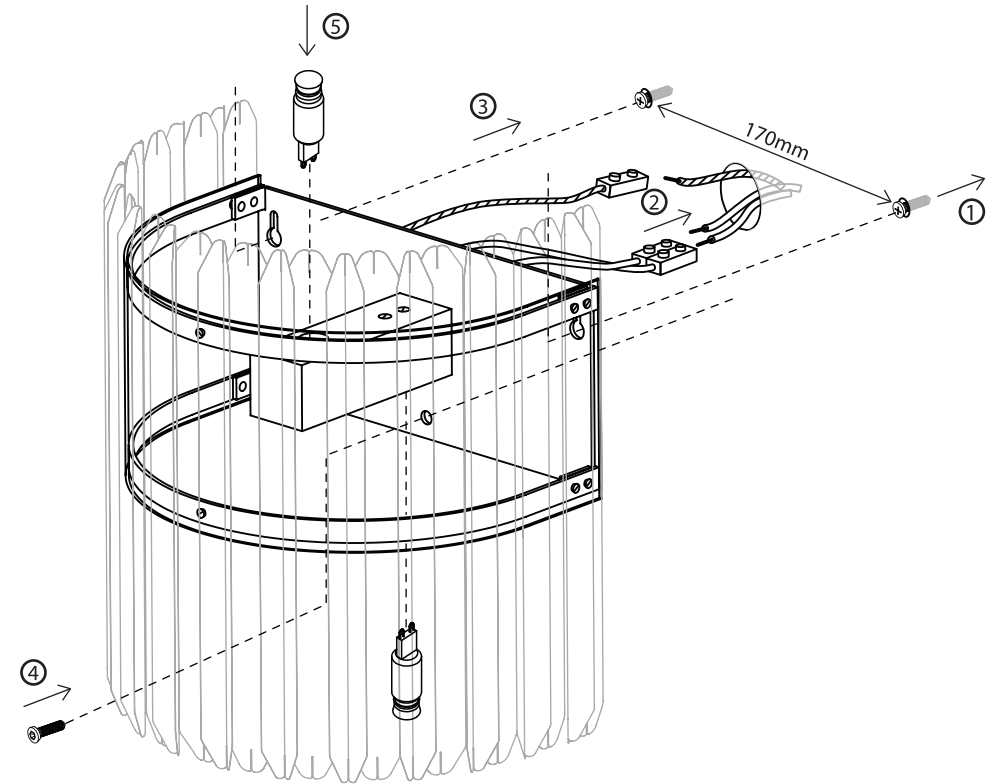
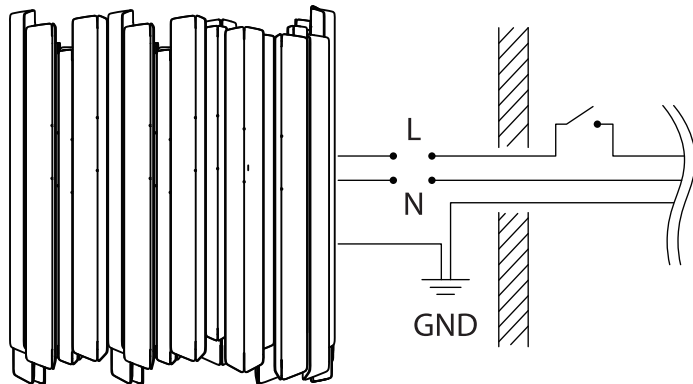
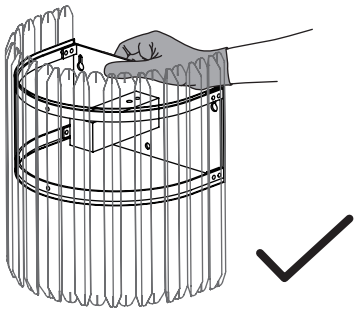
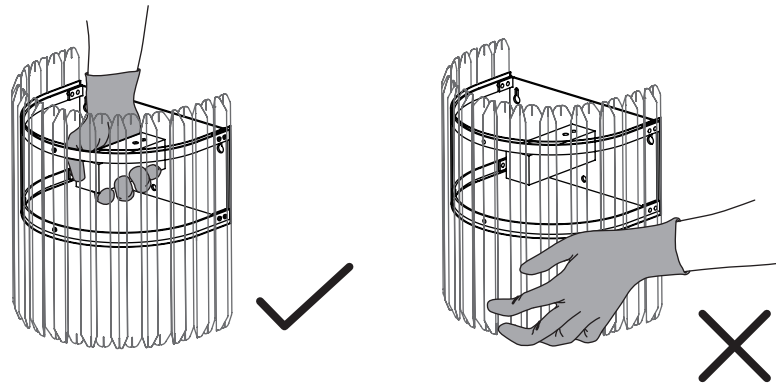
[www.innermost.net](http://www.innermost.net)  
OXO Tower Wharf Bargehouse Street London

**innermost**<sup>®</sup>

# Facet Wall

by Tom Kirk

innermost



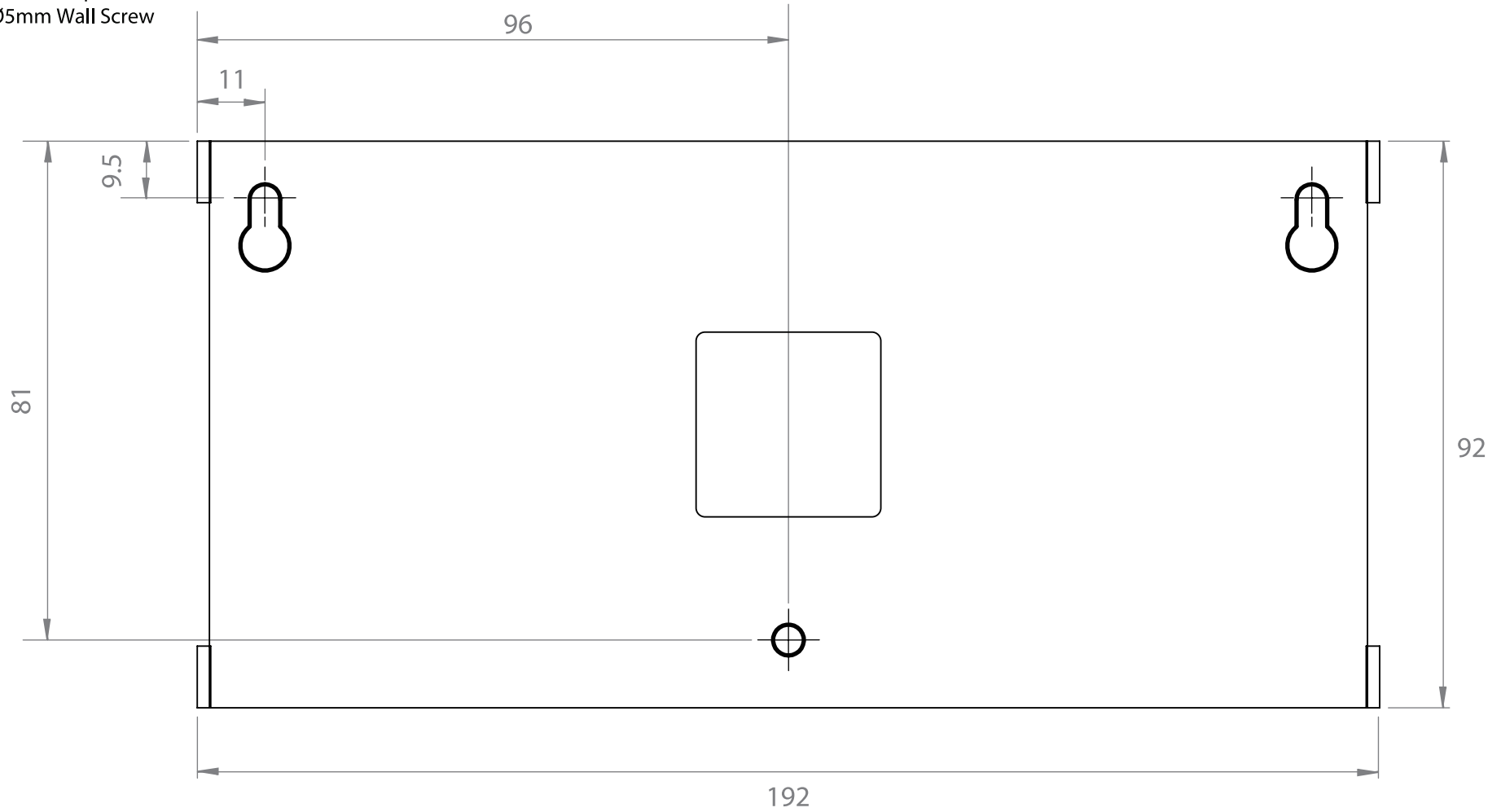
# Facet

by Tom Kirk

innermost

INSTALLATION TEMPLATE FOR:  
Facet Wall UK/EU Stainless Steel - WF03912003  
Facet Wall UK/EU Brass - WF03912030

1:1 Hole Position Template  
Screw size: Ø5mm Wall Screw



For further information, please contact:  
[info@innermost.net](mailto:info@innermost.net)

[www.innermost.net](http://www.innermost.net)

OXO Tower Wharf Bargehouse Street London