

Leonardo Marelli

324

ICONS





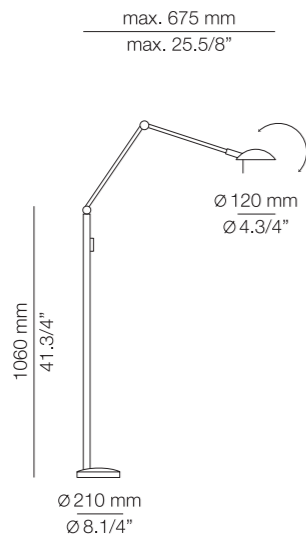
(ENG) This collection of classic icons derives its timelessness from the organic shape of its shade. Mounted off-center top a slender stem, light emanates from below and above. On its articulated arm, light is precisely directed.

(ESP) Esta colección de iconos clásicos debe su atemporalidad a la forma orgánica de su pantalla. Descentrada en la parte superior de una delgada varilla, la luz emana verticalmente. En el brazo articulado, la luz es dirigida de forma precisa y funcional.

ICONS

P-1139L

LED 6.1W
(2700K / Ang. 120°
>90 CRI / 350mA) / 120V
Typ* 565 lumens
On/off Switch



Finishes

- 26 BLK
- 37 NI

Additional

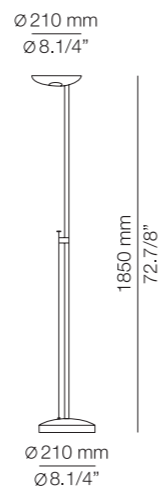
We offer custom finishes, sizes, and alternate lamping for projects.

Photographs may show non-standard products.



P-1129

Hal up to 300W
T3 / 118mm / R7s base
120V / Dimmable



Finishes

- 26 BLK
- 37 NI
- 61 S GLD

Additional

We offer custom finishes, sizes, and alternate lamping for projects.

Photographs may show non-standard products.

