



162 / Private residence by @docrysdic



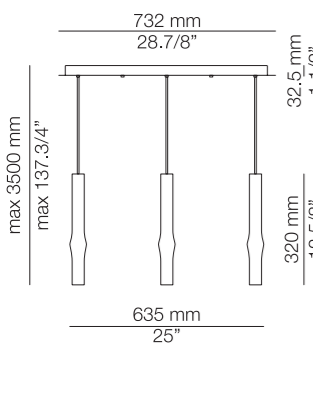
(ENG) A simple tube pinched along its length defines Flow and gives it a unique character. As a suspension lamp used in multiples, it fills spaces with light.

(ESP) Un cilindro estilizado con un delicado pliegue define la colección Flow y le da un carácter único. Las tres medidas de la lámpara de suspensión permiten crear un diseño propio combinándolas entre ellas con nuestra selección de sujeciones múltiples.

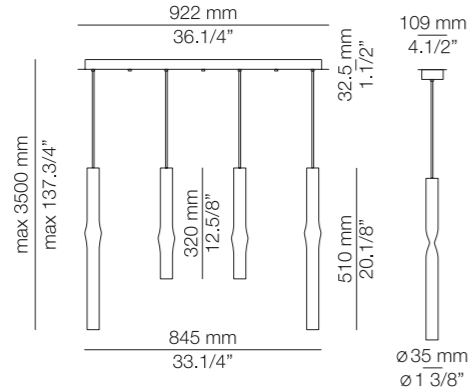
LINEAR CANOPY



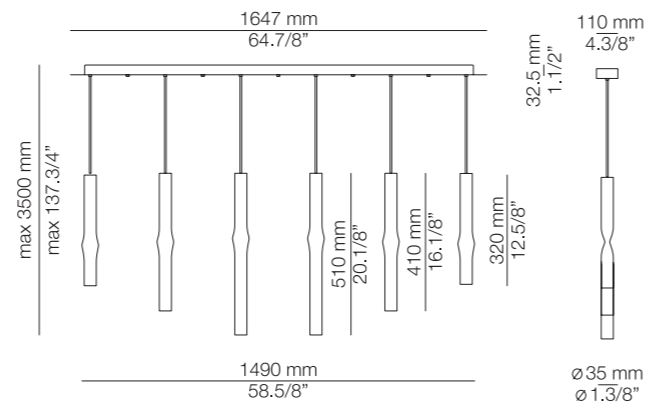
FLOW L73.3S



FLOW L92.2S2L



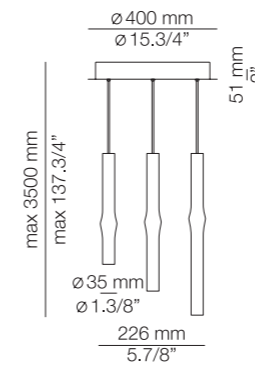
FLOW L165.2S2M2L



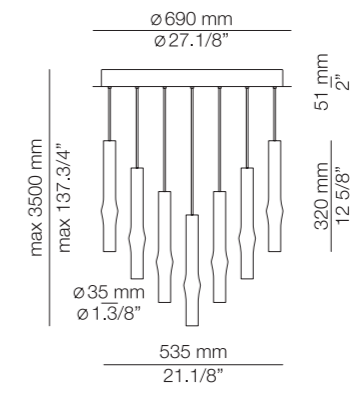
ROUND CANOPY



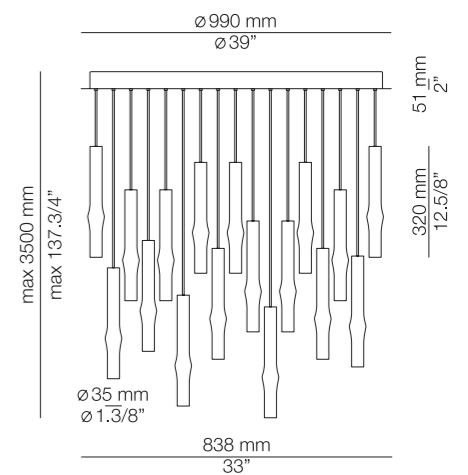
FLOW R40.1S1M1L



FLOW R70.7S



FLOW R100.17S



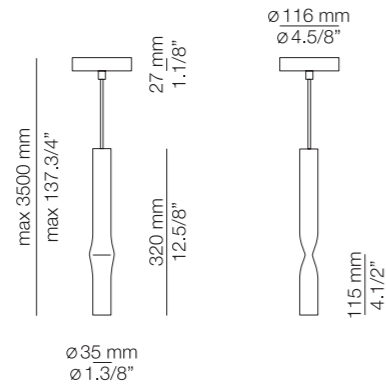
FLOW

T-3734S

LED 6.1W
(2700K / Ang.70° / >90CRI / 350mA)
120V / Typ* 565 lumens
Non dimmable (dimmable upon request)
Compositions are dimmable Triac

Finish shade

- 26 BLK
- 61 S GLD

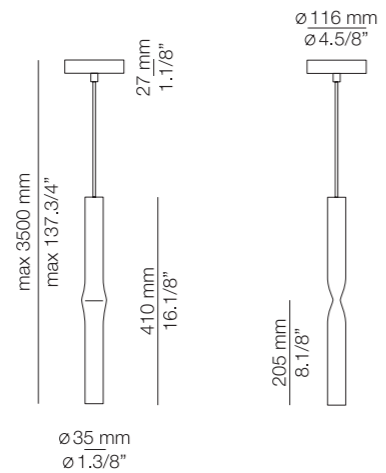


T-3735S

LED 6.1W
(2700K / Ang.70° / >90CRI / 350mA)
120V / Typ* 565 lumens
Non dimmable (dimmable upon request)
Compositions are dimmable Triac

Finish shade

- 26 BLK
- 61 S GLD

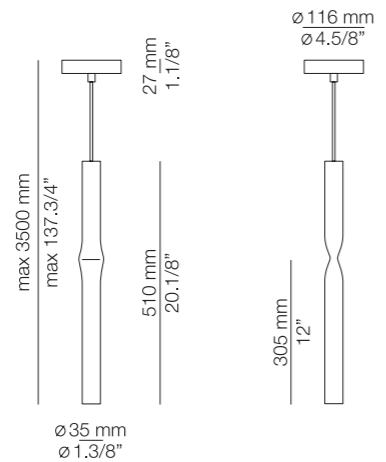


T-3736S

LED 6.1W
(2700K / Ang.70° / >90CRI / 350mA)
120V / Typ* 565 lumens
Non dimmable (dimmable upon request)
Compositions are dimmable Triac

Finish shade

- 26 BLK
- 61 S GLD



Additional

We offer custom finishes, sizes,
and alternate lamping for projects.

Photographs may show non-standard products.





Hotel Terra Domicata by @blackvetstudio_bcn



(ENG) As a minimalist wall sconce, Flow naturally integrates itself into each room, offering direct lighting. Used individually or in multiples, it is a simple and elegant sculptural element. (ESP) Flow aplique es un elemento escultórico simple y elegante que se integra de forma natural en cualquier espacio. Puede ofrecer luz directa o indirecta según la colocación.

FLOW

A-3730

LED 6.1W
 (2700K / Ang.70° / >90CRI / 350mA)
 100V - 240V / Typ* 565 lumens
 Non dimmable (dimmable upon request)

Finishes

- 26 BLK
- 61 S GLD

Additional

We offer custom finishes, sizes, and alternate lamping for projects. Contract option minimum quantity required.

Photographs may show non-standard products

