

# CUPOLINA

T-3935

## suspension lamp

Date	Type
Project	
Location	
Model #	Quantity
Specifier	

### Description

Metallic suspension light with a soft-edged rectangular metal body, aluminium dome heads, acrylic lens diffusers and integral dimmable LEDs. Adjustable height. Optional decorative sound absorbing panel with artificial greenery.



Pictures above might not show the specified dimensions or material. They are for illustration purposes only.

### Ordering information


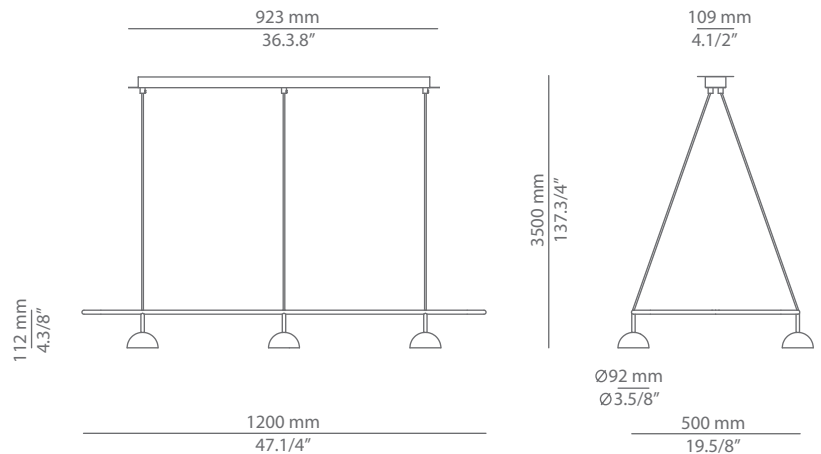
Product Code	Lamp	Finish
T-3935	LED 6x6.2W (led included) (2700K / Ang 70° / >90 CRI / 350mA) 120V / Typ* 6x725 lumens / Dimmable Triac	<ul style="list-style-type: none"> <li><span style="display: inline-block; width: 15px; height: 15px; background-color: #808080; margin-right: 5px;"></span> 26 BLK Black</li> <li><span style="display: inline-block; width: 15px; height: 15px; background-color: #d3d3d3; margin-right: 5px;"></span> 74 WH White</li> <li><span style="display: inline-block; width: 15px; height: 15px; background-color: #cccccc; margin-right: 5px;"></span> CUSTOM</li> </ul>

### Product includes

Code	Description
113935XX2U	1 surface canopy for 1 pedant
T-3935	1 cupolina pendant
671000036	2 drivers / Dimmable Triac

### Accessories

Code	Description
<span style="display: inline-block; width: 15px; height: 15px; background-color: #808080; margin-right: 5px;"></span> 123935XX0	Sound absorbing panel with artificial greenery

## SPECIAL REQUIREMENTS

### Custom finishes and versions

We offer custom plated or RAL finishes and shades. Alternate lamping and sizes available for projects. Consult our offices.

### Special instructions



**ESTILUZ Inc. USA & CANADA**  
330 West 38th St. Suite 710  
New York, NY 10018 USA  
T+1 (646) 454 - 1285  
F+1 (646) 454 - 1799

info@estiluzusa.com  
www.estiluz.com