

CIRC T-3815AS

suspension lamp

Date	Type
Project	
Location	
Model #	Quantity
Specifier	

Description

Metallic suspension lamp providing direct and indirect light with circular body and P.E.T. acoustic panel. Shade is made of a satinated glass. Adjustable height. Possibility to create different compositions.



Pictures above might not show the specified dimensions or material. They are for illustration purposes only.

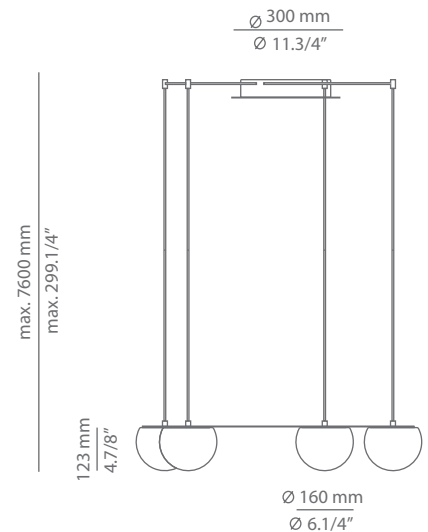
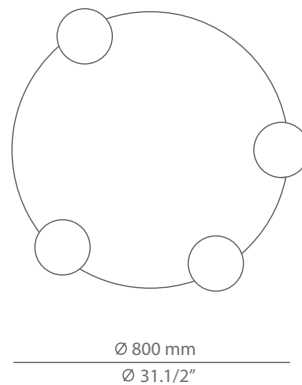


Ordering information

Code	Lamp	Canopy	Finish Acoustic panel
T-3815AS <small>(with P.E.T. acoustic panel)</small>	LED 4x6,1W (led included) (2700K / Ang 120° / >90 CRI / 350mA) / 120V / Typ* 4x565 lumens Dimmable Triac / Glass shade	26 BLK Black	26 BLK Black CUSTOM

Product includes

Code	Description
113815263	1 round canopy
T-3815A	1 circ suspension
113815264	1 P.E.T. acoustic panel
671000036	2 drivers / Dimmable Triac



SPECIAL REQUIREMENTS

Custom versions

We offer custom plated or RAL finishes. Alternate lamping and sizes available for projects. Consult our offices.

Special instructions

CIRC T-3816AS

suspension lamp

Date	Type
Project	
Location	
Model #	Quantity
Specifier	

Description

Metallic suspension lamp providing direct and indirect light with circular body and P.E.T. acoustic panel. Shade is made of a satinated glass. Adjustable height. Possibility to create different compositions.



Pictures above might not show the specified dimensions or material. They are for illustration purposes only.

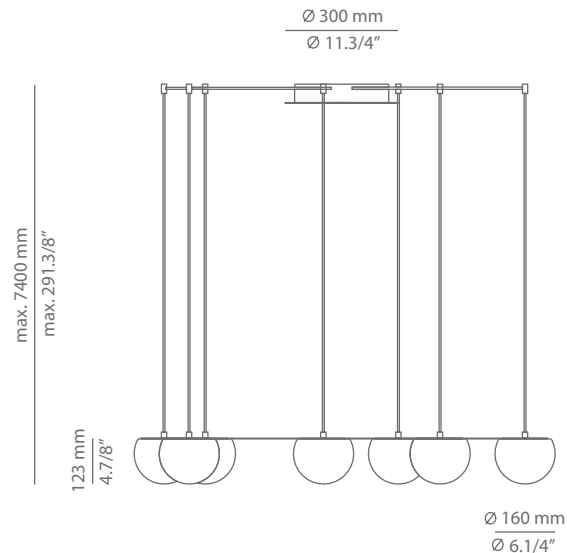
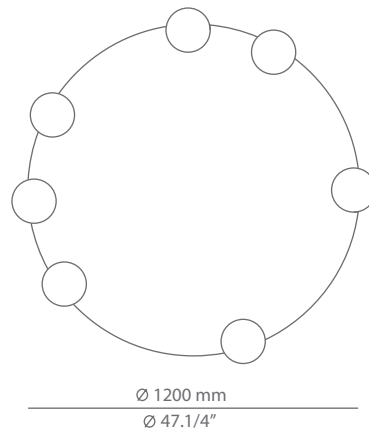
Ordering information

Code	Lamp
T-3816AS <small>(with P.E.T. acoustic panel)</small>	LED 7x6,1W (led included) (2700K / Ang 120° / >90 CRI / 350mA) / 120V / Typ* 7x565 lumens Dimmable Triac / Glass shade

Canopy	Finish Acoustic panel
26 BLK Black	26 BLK Black CUSTOM

Product includes

Code	Description
113815263	1 round canopy
T-3816A	1 circ suspension
113816264	1 P.E.T. acoustic panel
671000036	3 drivers / Dimmable Triac



SPECIAL REQUIREMENTS

Custom versions

We offer custom plated or RAL finishes. Alternate lamping and sizes available for projects. Consult our offices.

Special instructions



ESTILUZ Inc. USA & CANADA
330 West 38th St. Suite 710
New York, NY 10018 USA
T+1 (646) 454 - 1285
F+1 (646) 454 - 1799

info@estiluzusa.com
www.estiluzusa.com

CIRC

T-3815A / T-3816 / t-3811

suspension lamp / ceiling light

Date	Type
Project	
Location	
Model #	Quantity
Specifier	

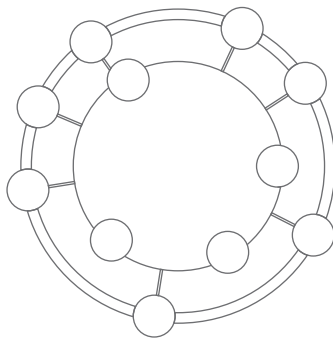
Possible configuration with T-3815A with T-3816 and t-3811

See CIRC T-3815 / T-3816 spec sheet for more information about T-3816.

See CIRC t-3810 / t-3811 spec sheet for more information about Circ t-3811 ceiling light.

See CIRC t-3810A / t-3811A spec sheet for combinations with ceiling lights and acoustic panels.

Code	Composition includes
R30.1SPA1MP	1 round canopy 113815263
circ composition	1 unit of T-3815A
	1 unit of T-3816
	1 P.E.T acoustic panel 113815264
	5 drivers 671000036 / Dimmable Triac



Finish canopy

26 BLK Black

Finish panel

26 BLK Black

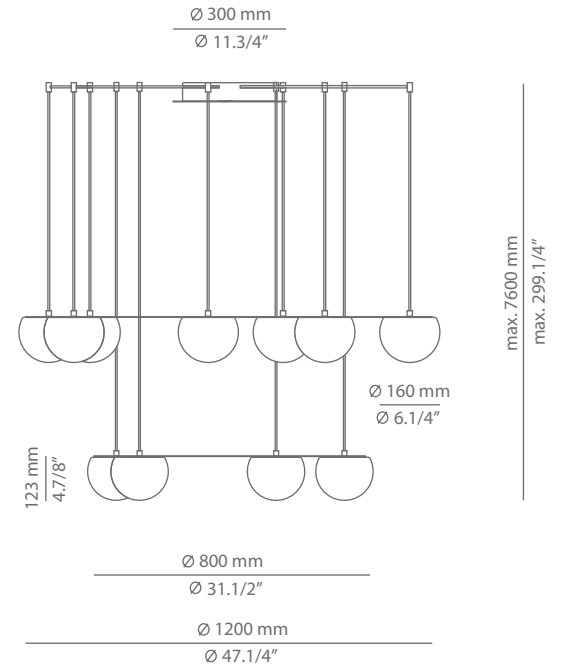
CUSTOM

Finish ring

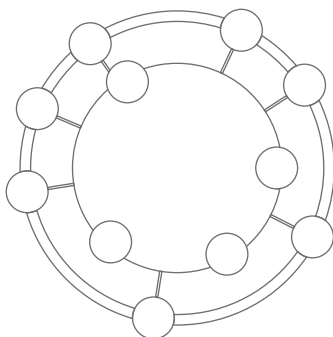
26 BLK Black

61 S GLD Satin Gold

CUSTOM



Code	Composition includes
R30.1SPA1MF	1 round canopy 113815263
circ composition	1 unit of t-3811
	1 unit of T-3815A
	1 P.E.T acoustic panel 113815264
	5 drivers 671000036 / Dimmable Triac



Finish canopy

26 BLK Black

Finish panel

26 BLK Black

CUSTOM

Finish ring

26 BLK Black

61 S GLD Satin Gold

CUSTOM

