

CIRC

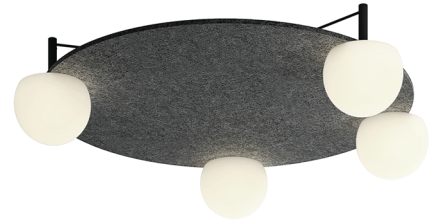
t-3810A

ceiling light

Date	Type
Project	
Location	
Model #	Quantity
Specifier	

Description

Metallic ceiling light providing direct and indirect light with circular body and P.E.T. acoustic panel. Shade is made of a satinated glass. Possibility to create different compositions.



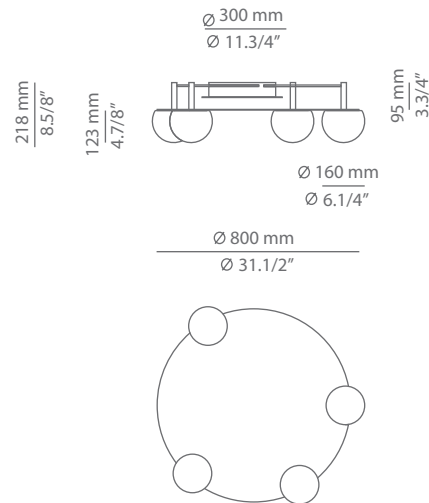
Pictures above might not show the specified dimensions or material. They are for illustration purposes only.

Ordering information

Code	Lamp	Canopy	Finish Acoustic panel
t-3810A (with P.E.T. acoustic panel)	LED 4x6.1W (led included) (2700K / Ang 120° / >90 CRI / 350mA) / 120V / Typ* 4x565 lumens Dimmable Triac / Glass shade	26 BLK Black	26 BLK Black CUSTOM

Product includes

Code	Description
113815263	1 round canopy
t-3810A	1 circ ceiling light
113815264	1 P.E.T. acoustic panel
671000036	2 drivers / Dimmable Triac



SPECIAL REQUIREMENTS

Special instructions



ESTILUZ Inc. USA & CANADA
 330 West 38th St. Suite 710
 New York, NY 10018 USA
 T+1 (646) 454 - 1285
 F+1 (646) 454 - 1799

info@estiluzusa.com
 www.estiluzusa.com

CIRC

t-3811A

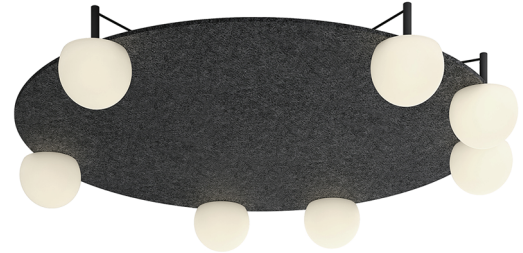
ceiling light

Description

Metallic ceiling light providing direct and indirect light with circular body and P.E.T. acoustic panel. Shade is made of a satinated glass. Possibility to create different compositions.



Date	Type
Project	
Location	
Model #	Quantity
Specifier	



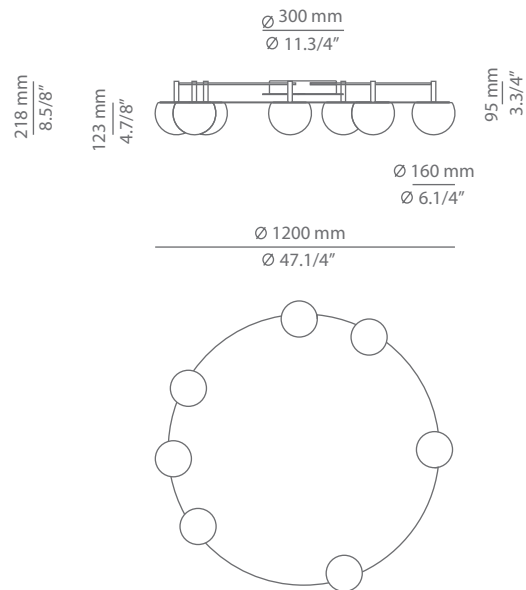
Pictures above might not show the specified dimensions or material. They are for illustration purposes only.

Ordering information

Code	Lamp	Canopy	Finish Acoustic panel
t-3811A <small>(with P.E.T. acoustic panel)</small>	LED 7x6.1W (led included) (2700K / Ang 120° / >90 CRI / 350mA) / 120V / Typ* 7x565 lumens Dimmable Triac / Glass shade	26 BLK Black	26 BLK Black CUSTOM

Product includes

Code	Description
113815263	1 round canopy
t-3811A	1 circ ceiling light
113816264	1 P.E.T. acoustic panel
671000036	3 drivers / Dimmable Triac



SPECIAL REQUIREMENTS

Special instructions



ESTILUZ Inc. USA & CANADA
330 West 38th St. Suite 710
New York, NY 10018 USA
T+1 (646) 454 - 1285
F+1 (646) 454 - 1799

info@estiluzusa.com
www.estiluzusa.com

CIRC

t-3810A / t-3811 / T-3816

ceiling light / suspension lamp

Date	Type
Project	
Location	
Model #	Quantity
Specifier	

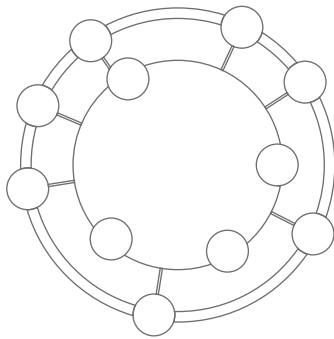
Many possible configurations with t-3810A with t-3811 and T-3816

See CIRC t-3810 / t-3811 spec sheet for more information about t-3811 and more combinations with ceiling ligts.

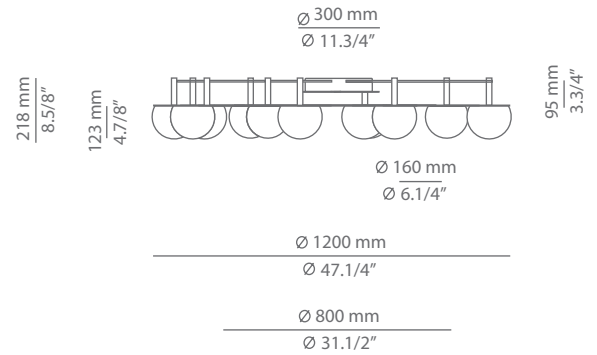
See CIRC T-3815 / T-3816 spec sheet for more information about T-3816 and more combinations with suspension lamps.

See CIRC T-3815A / T-3816A spec sheet for combinations with suspension lamps and acoustic panels.

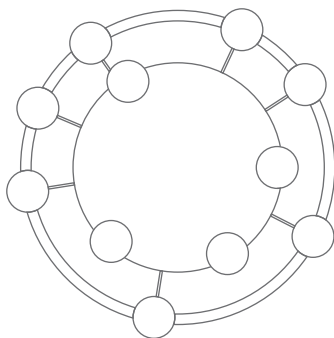
Code	Composition includes
R30.1SFA1MF circ composition	1 round canopy 113815263 1 unit of t-3810A 1 unit of t-3811 1 P.E.T acoustic panel 113815264 5 drivers 671000036 / Dimmable Triac



Finish canopy	
26 BLK	Black
Finish panel	
26 BLK	Black
CUSTOM	
Finish ring	
26 BLK	Black
61 S GLD	Satin Gold
CUSTOM	



Code	Composition includes
R30.1SFA1MP circ composition	1 round canopy 113815263 1 unit of t-3810A 1 unit of T-3816 1 P.E.T acoustic panel 113815264 5 drivers 671000036 / Dimmable Triac



Finish canopy	
26 BLK	Black
Finish panel	
26 BLK	Black
CUSTOM	
Finish ring	
26 BLK	Black
61 S GLD	Satin Gold
CUSTOM	

