

# Empty State

## Installation Guide

### Motion

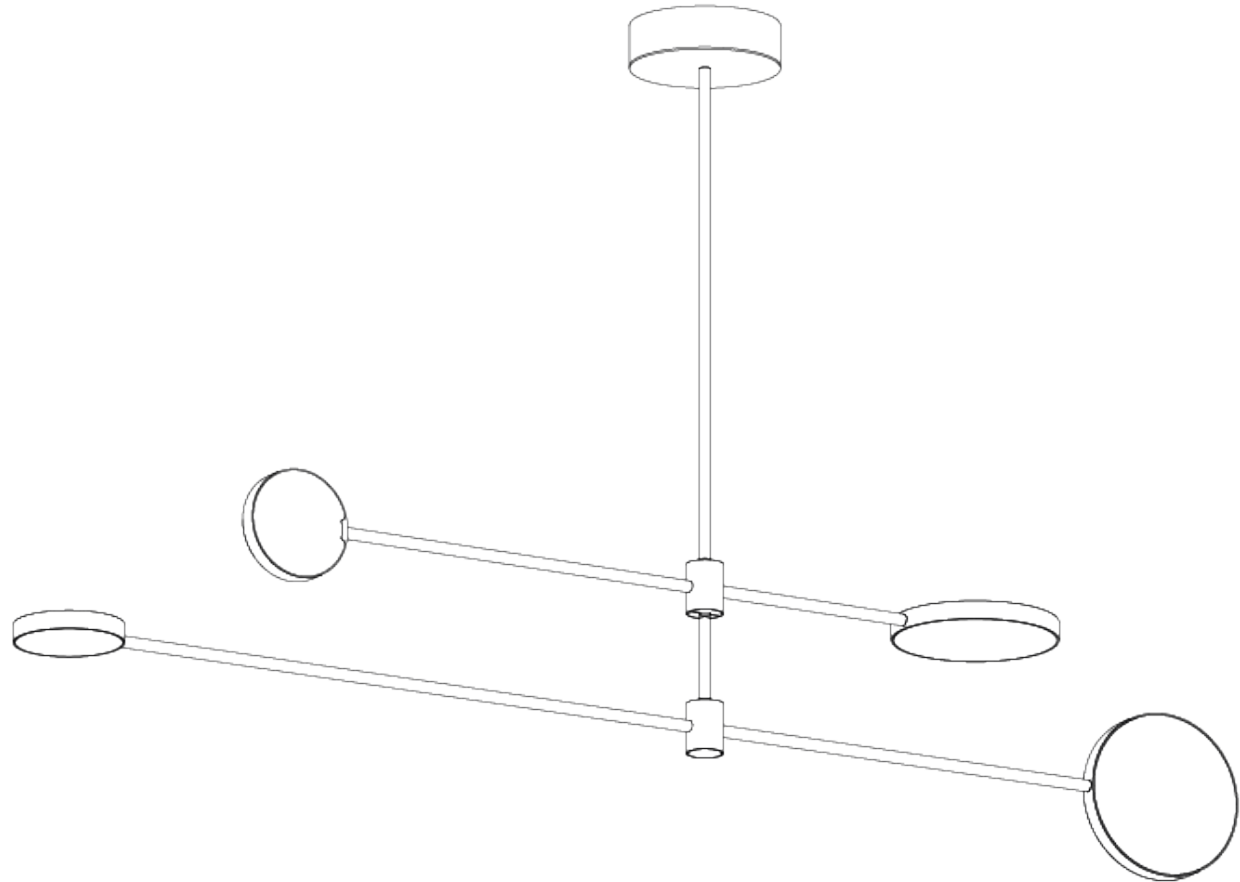
#### NOTES

Make sure the ceiling is capable of supporting the weight of the light. We recommend you seek the advice of a structural engineer or construction professional.

Fixings not supplied. The appropriate fixing will vary depending on the ceiling substrate, therefore fixings will not be supplied. Please use an appropriate fixing to suit your solution.

Installation should be carried out by a suitably qualified electrician. Access to ceiling void required.

Installation only requires one person, however we would recommend two for best results.



# Empty State

## Installation Guide

Motion  
- ES-CR

### NOTES

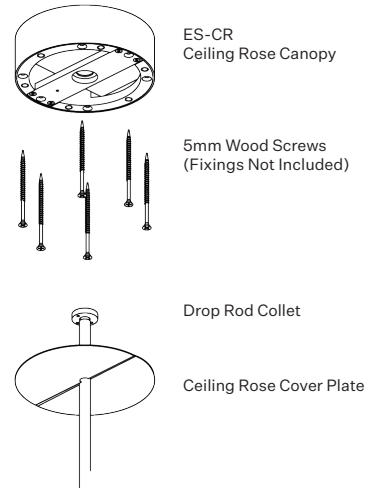
Make sure the ceiling is capable of supporting the weight of the light. We recommend you seek the advice of a structural engineer or construction professional.

Fixings not supplied. The appropriate fixing will vary depending on the ceiling substrate, therefore fixings will not be supplied. Please use an appropriate fixing to suit your solution.

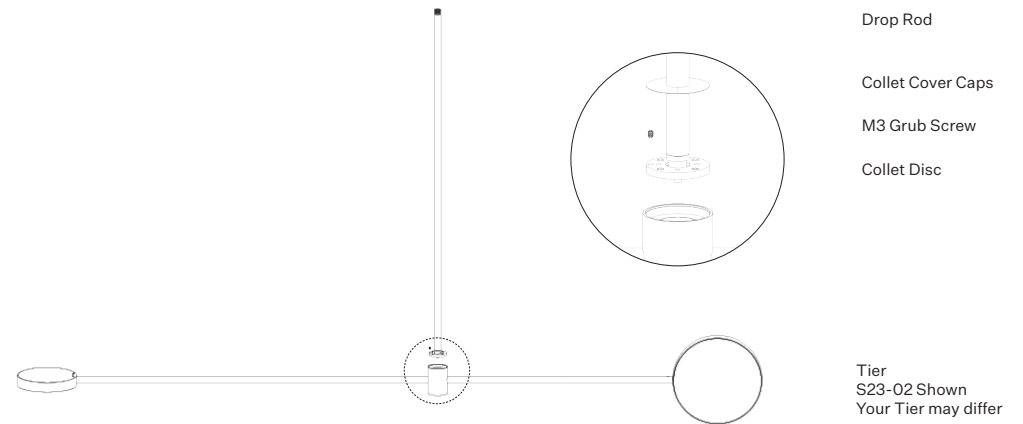
Installation should be carried out by a suitably qualified electrician. Access to ceiling void required.

Installation only requires one person, however we would recommend two for best results.

## Ceiling Rose



## Tier



# Empty State

## Installation Guide

### Motion

- ES-CR

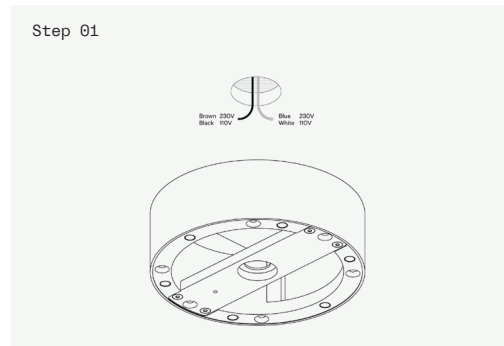
### NOTES

Make sure the ceiling is capable of supporting the weight of the light. We recommend you seek the advice of a structural engineer or construction professional.

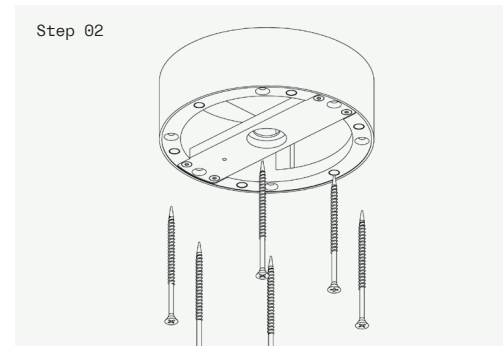
Fixings not supplied. The appropriate fixing will vary depending on the ceiling substrate, therefore fixings will not be supplied. Please use an appropriate fixing to suit your solution.

Installation should be carried out by a suitably qualified electrician. Access to ceiling void required.

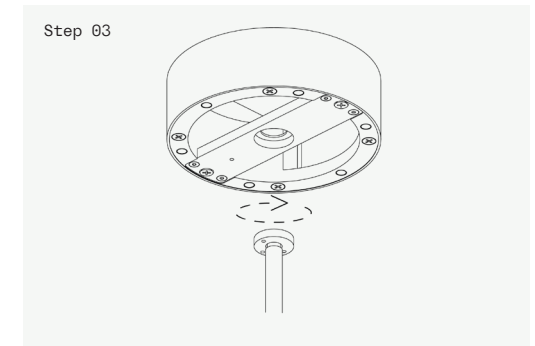
Installation only requires one person, however we would recommend two for best results.



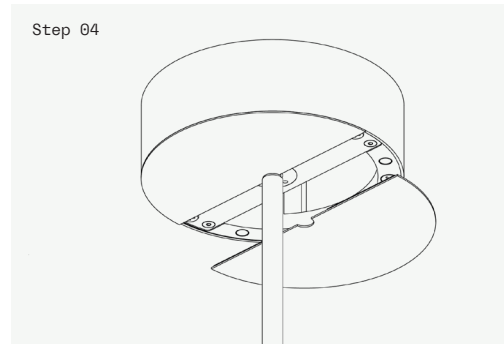
Wire the driver to the mains via the terminal blocks in the driver, making sure they connect to power in.  
Note: Align ceiling void hole to driver access point.



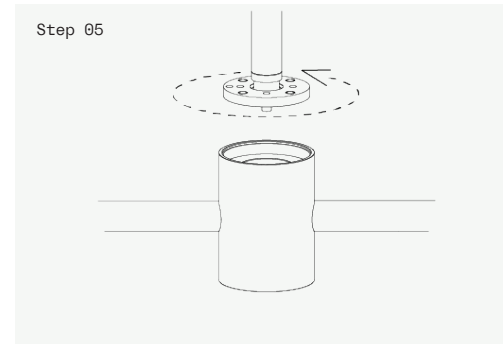
Fix the ceiling rose canopy to the ceiling using 5mm wood screws. Fixings are not provided.  
Note: Be sure the screws sit within the counter sink



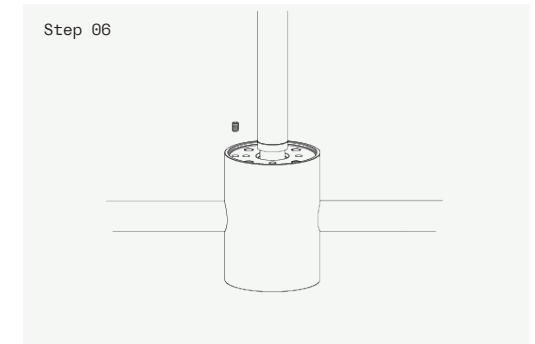
Attach the drop rod to the ceiling canopy. Do this by screwing the collet at the top of the drop in to the cross bar with the tool provided.



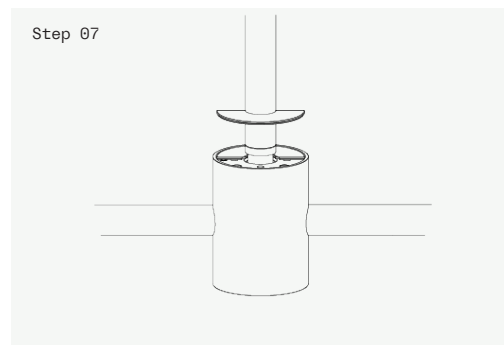
Cover the ceiling rose canopy with the two half's of the cover plates.



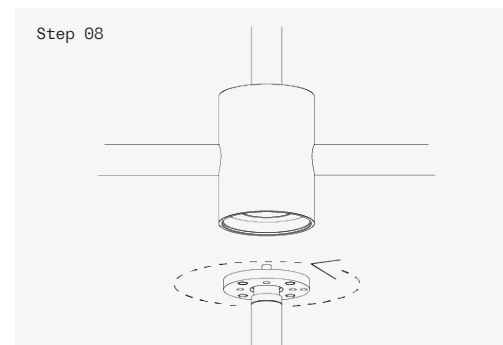
Offer up the tier to the drop bar. Screw the collet disc in to the top of the tier. Note: Use The Tool included to fully tighten.



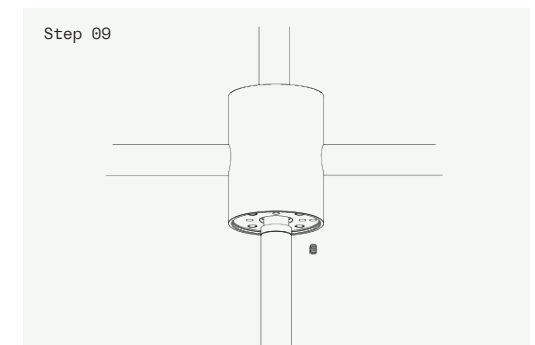
Fix the collet top in place by screwing in the grub screw provided. Be careful not to over tighten.



Finish by adding the two half of the cover cap. If you are connecting multiple tiers please keep following the instructions.



Offer up the tier to the drop bar. Screw the collet disc in to the top of the tier. Note: Use The Tool included to fully tighten.



Fix the collet top in place by screwing in the grub screw provided. Be careful not to over tighten.

# Empty State

## Installation Guide

### Motion

- ES-CR

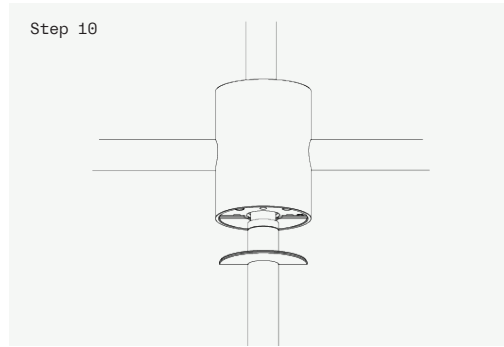
## NOTES

Make sure the ceiling is capable of supporting the weight of the light. We recommend you seek the advice of a structural engineer or construction professional.

Fixings not supplied. The appropriate fixing will vary depending on the ceiling substrate, therefore fixings will not be supplied. Please use an appropriate fixing to suit your solution.

Installation should be carried out by a suitably qualified electrician. Access to ceiling void required.

Installation only requires one person, however we would recommend two for best results.



Finish by adding the two half of the cover cap. If you are connecting more tiers please repeat steps 08-10.

# Empty State

## Installation Guide

### Motion

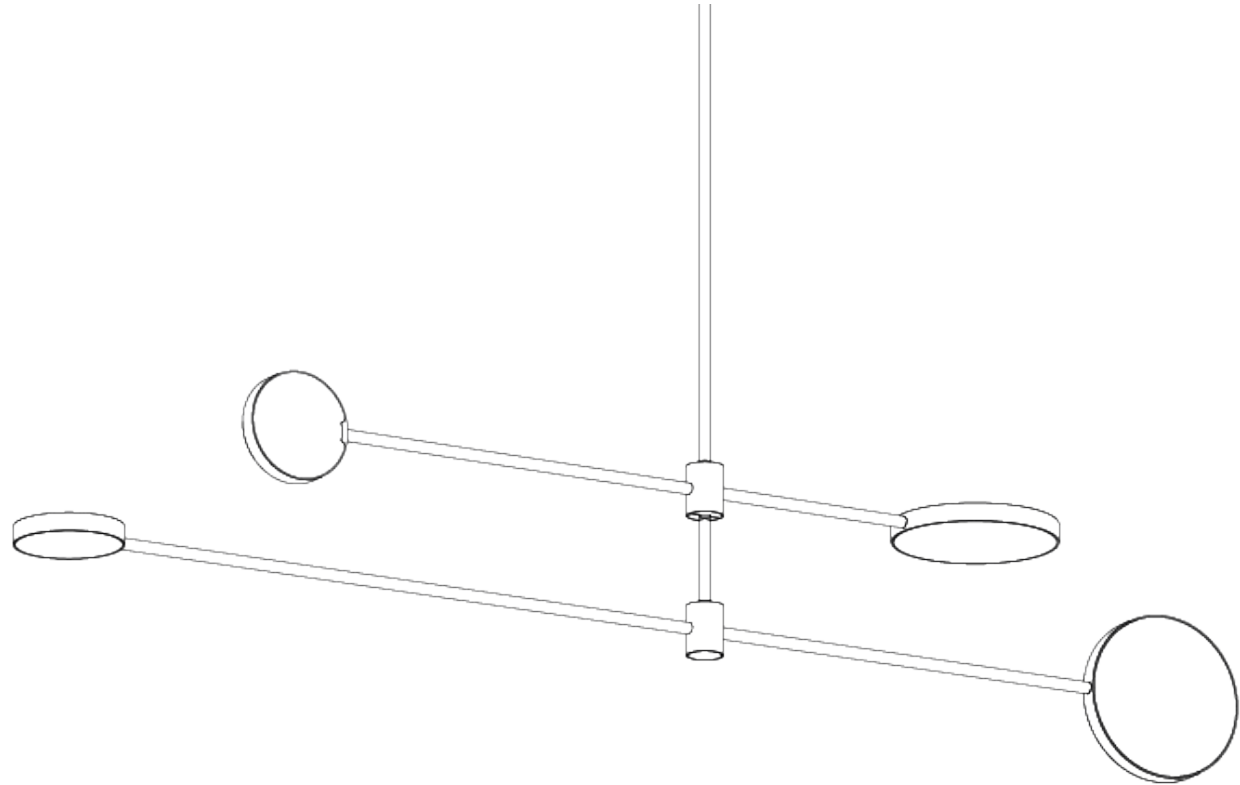
#### NOTES

Make sure the ceiling is capable of supporting the weight of the light. We recommend you seek the advice of a structural engineer or construction professional.

Fixings not supplied. The appropriate fixing will vary depending on the ceiling substrate, therefore fixings will not be supplied. Please use an appropriate fixing to suit your solution.

Installation should be carried out by a suitably qualified electrician. Access to ceiling void required.

Installation only requires one person, however we would recommend two for best results.



# Empty State

## Installation Guide

### Motion

- ES-CRL

### NOTES

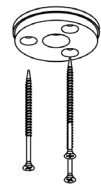
Make sure the ceiling is capable of supporting the weight of the light. We recommend you seek the advice of a structural engineer or construction professional.

Fixings not supplied. The appropriate fixing will vary depending on the ceiling substrate, therefore fixings will not be supplied. Please use an appropriate fixing to suit your solution.

Installation should be carried out by a suitably qualified electrician. Access to ceiling void required.

Installation only requires one person, however we would recommend two for best results.

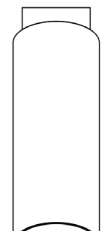
## Ceiling Rose



ES-CRL  
Ceiling Plate

5mm Wood Screws  
(Fixings Not Included)

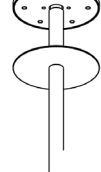
Driver



Ceiling Rose Tube

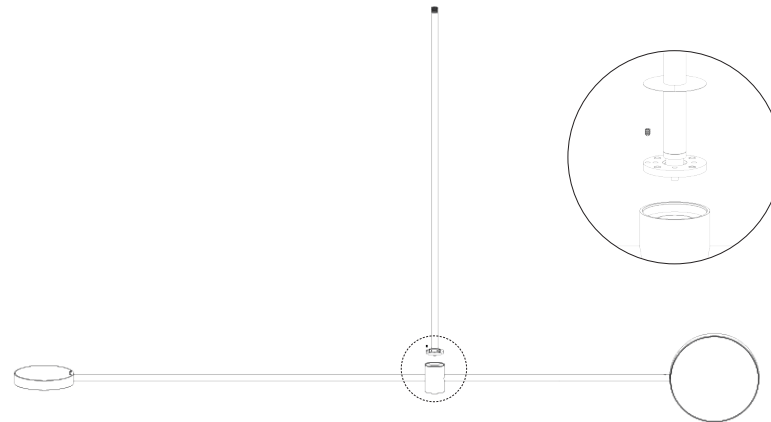


Ceiling Rose Plate



Ceiling Rose Cover Plate

## Tier



Drop Rod

Collet Cover Caps

M3 Grub Screw

Collet Disc

Tier  
S23-02 Shown  
Your Tier may differ

# Empty State

## Installation Guide

### Motion

- ES-CRL

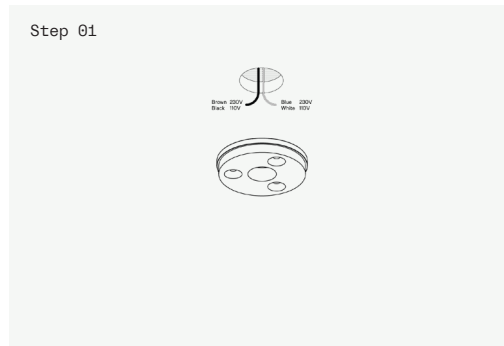
### NOTES

Make sure the ceiling is capable of supporting the weight of the light. We recommend you seek the advice of a structural engineer or construction professional.

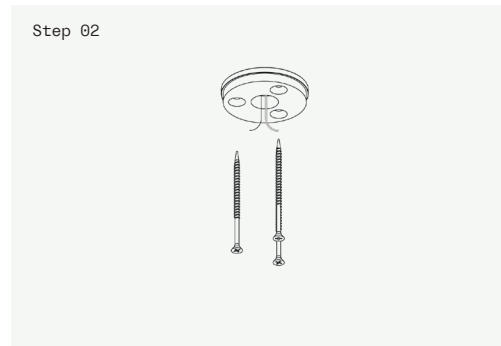
Fixings not supplied. The appropriate fixing will vary depending on the ceiling substrate, therefore fixings will not be supplied. Please use an appropriate fixing to suit your solution.

Installation should be carried out by a suitably qualified electrician. Access to ceiling void required.

Installation only requires one person, however we would recommend two for best results.



Align the ceiling plate to the access point to the ceiling void and feed the wires through the central hole.



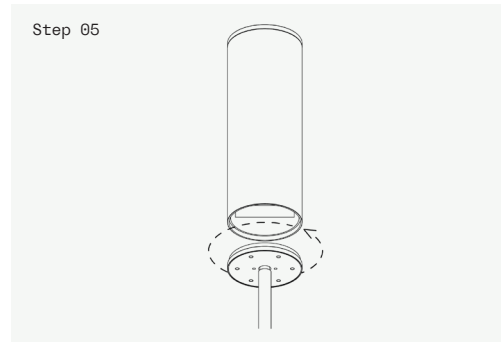
Fix the ceiling plate canopy to the ceiling using three 5mm wood screws. Fixings are not provided.  
Note: Be sure the screws sit within the counter sink



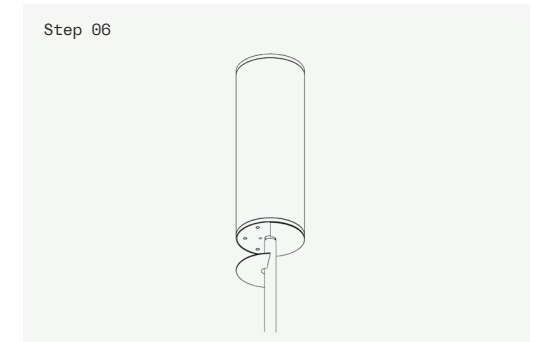
Wire the driver to the mains via the terminal blocks in the driver, making sure they connect to power in. Feed any excess cables back into the ceiling void.



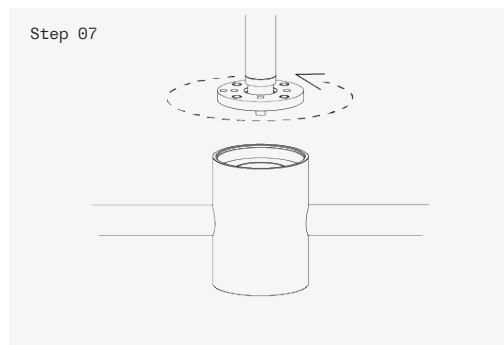
Screw the Ceiling Rose Tube to the ceiling plate.



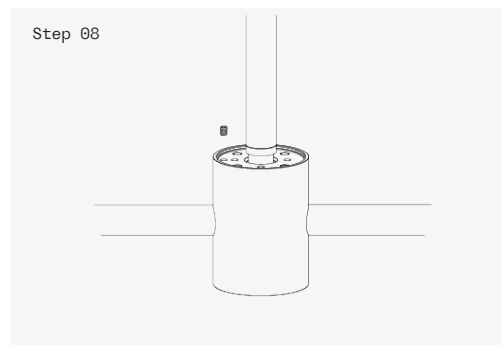
With the drop bar pre connected, screw the Ceiling Rose Tube to the Ceiling Rose Tube.  
Note: Use tool provided.



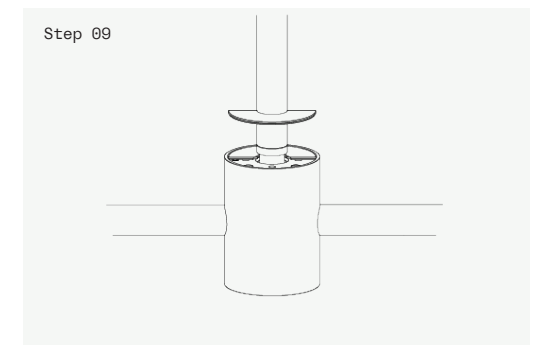
Cover the ceiling rose canopy with the two half's of the cover plates.



Offer up the tier to the drop bar. Screw the collet disc in to the top of the tier. Note: Use The Tool included to fully tighten.



Fix the collet top in place by screwing in the grub screw provided. Be careful not to over tighten.



Finish by adding the two half's of the cover cap. If you are connecting multiple tiers please keep following the instructions.

# Empty State

## Installation Guide

### Motion

- ES-CRL

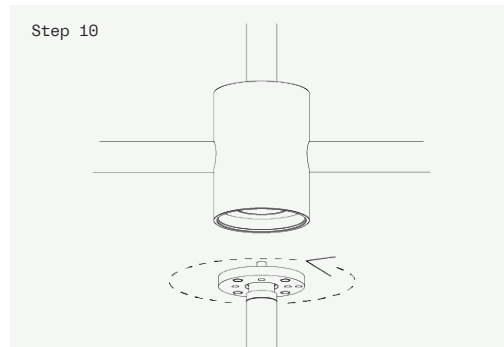
### NOTES

Make sure the ceiling is capable of supporting the weight of the light. We recommend you seek the advice of a structural engineer or construction professional.

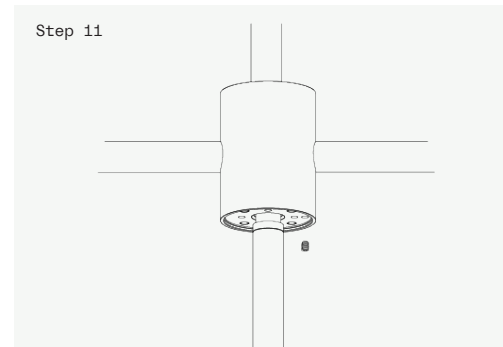
Fixings not supplied. The appropriate fixing will vary depending on the ceiling substrate, therefore fixings will not be supplied. Please use an appropriate fixing to suit your solution.

Installation should be carried out by a suitably qualified electrician. Access to ceiling void required.

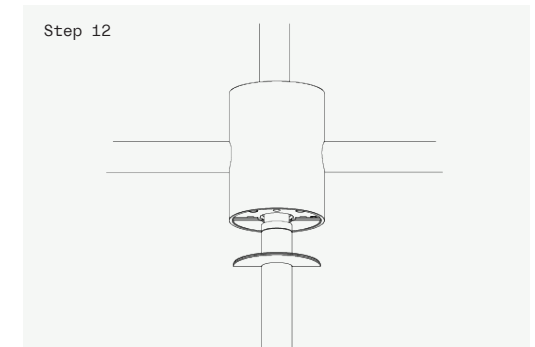
Installation only requires one person, however we would recommend two for best results.



Step 10  
Offer up the tier to the drop bar. Screw the collet disc in to the top of the tier. Note: Use The Tool included to fully tighten.



Step 11  
Fix the collet top in place by screwing in the grub screw provided. Be careful not to over tighten.



Step 12  
Finish by adding the two half of the cover cap. If you are connecting more tiers please repeat steps 08-10.



# Empty State

## Installation Guide

### Motion

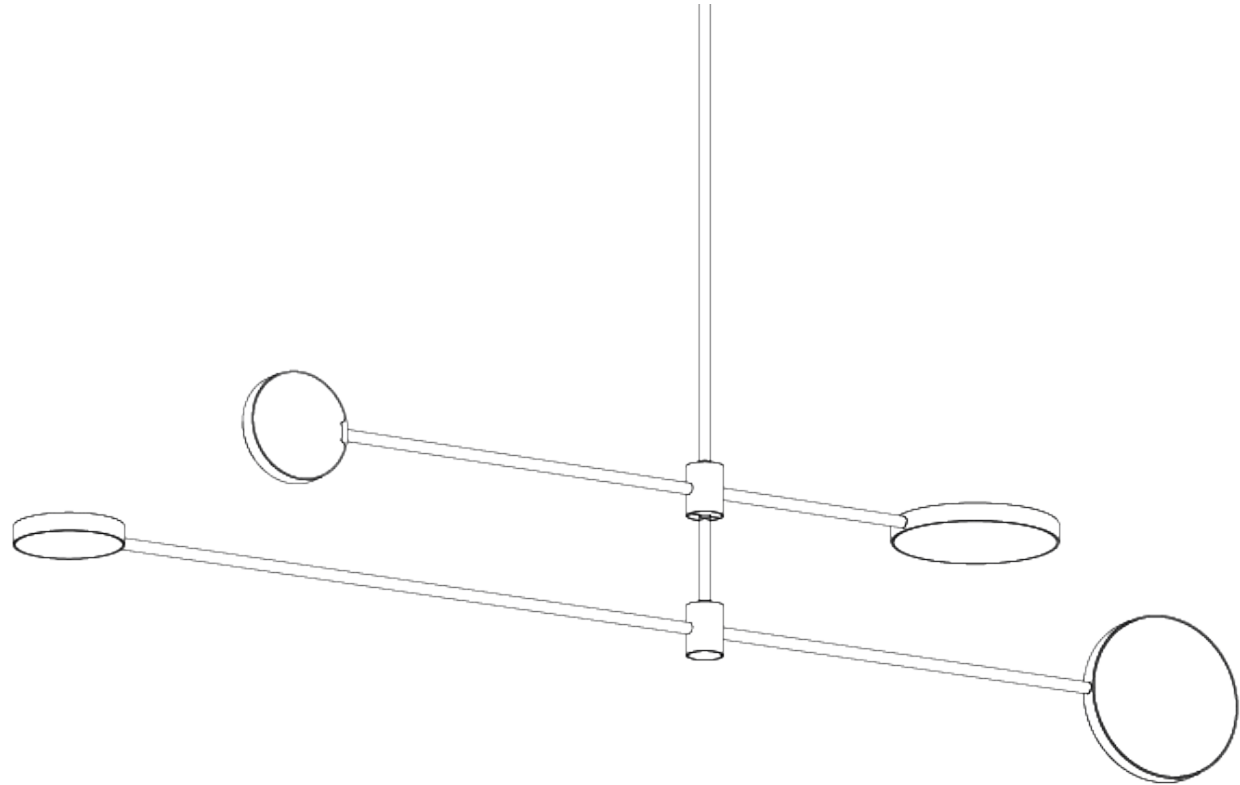
#### NOTES

Make sure the ceiling is capable of supporting the weight of the light. We recommend you seek the advice of a structural engineer or construction professional.

Fixings not supplied. The appropriate fixing will vary depending on the ceiling substrate, therefore fixings will not be supplied. Please use an appropriate fixing to suit your solution.

Installation should be carried out by a suitably qualified electrician. Access to ceiling void required.

Installation only requires one person, however we would recommend two for best results.



# Empty State

## Installation Guide

Motion  
- ES-CRM

### NOTES

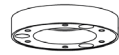
Make sure the ceiling is capable of supporting the weight of the light. We recommend you seek the advice of a structural engineer or construction professional.

Fixings not supplied. The appropriate fixing will vary depending on the ceiling substrate, therefore fixings will not be supplied. Please use an appropriate fixing to suit your solution.

Installation should be carried out by a suitably qualified electrician. Access to ceiling void required.

Installation only requires one person, however we would recommend two for best results.

## Ceiling Rose



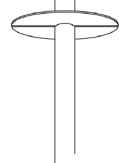
ES-CRM  
Ceiling Plate



5mm Wood Screws  
(Fixings Not Included)

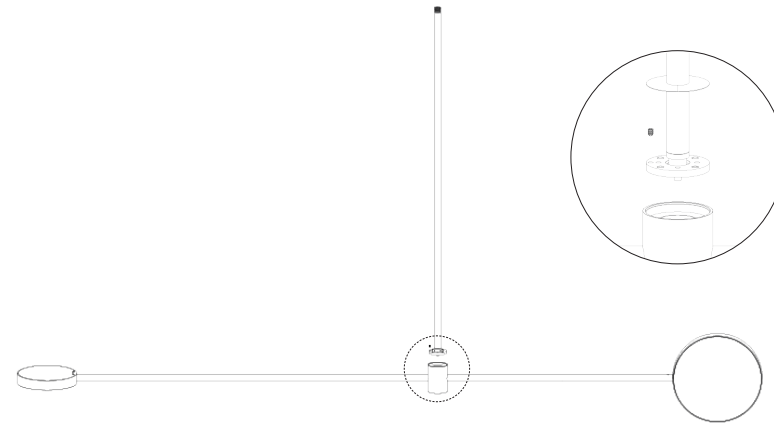


Drop Rod Collet



Ceiling Rose Cover Plate

## Tier



Drop Rod

Collet Cover Caps

M3 Grub Screw

Collet Disc

Tier  
S23-02 Shown  
Your Tier may differ

# Empty State

## Installation Guide

### Motion

- ES-CRM

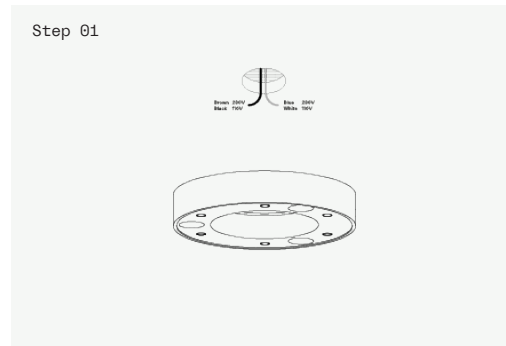
### NOTES

Make sure the ceiling is capable of supporting the weight of the light. We recommend you seek the advice of a structural engineer or construction professional.

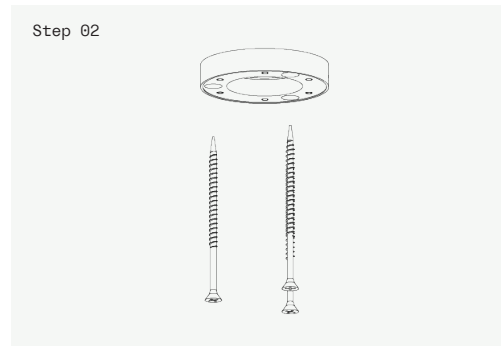
Fixings not supplied. The appropriate fixing will vary depending on the ceiling substrate, therefore fixings will not be supplied. Please use an appropriate fixing to suit your solution.

Installation should be carried out by a suitably qualified electrician. Access to ceiling void required.

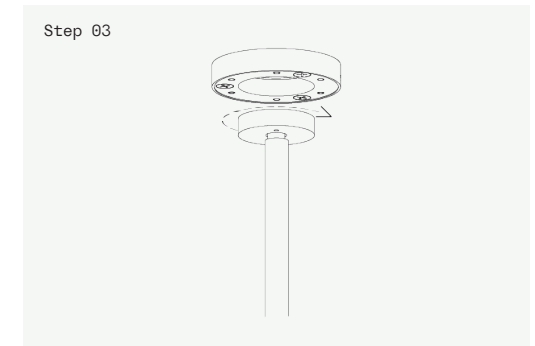
Installation only requires one person, however we would recommend two for best results.



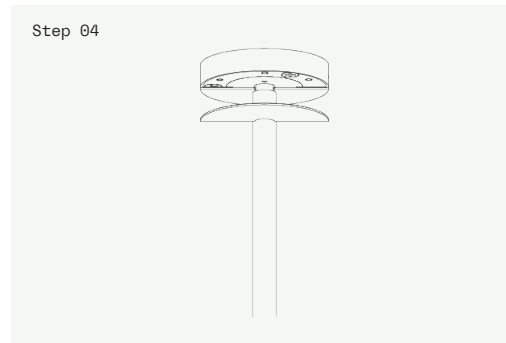
Align the ceiling plate to the access point to the ceiling void and wire the driver to the mount via the terminal blocks. Driver needs to be stored within ceiling void or within 8m of the light.



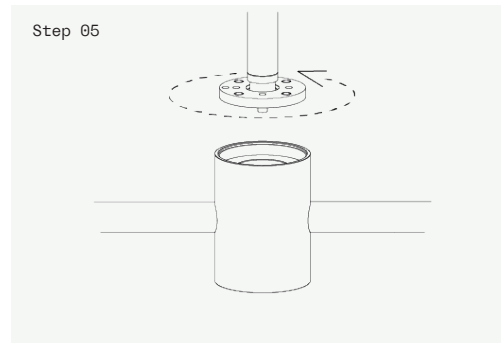
Fix the ceiling plate canopy to the ceiling using three 5mm wood screws. Fixings are not provided. Note: Be sure the screws sit within the counter sink.



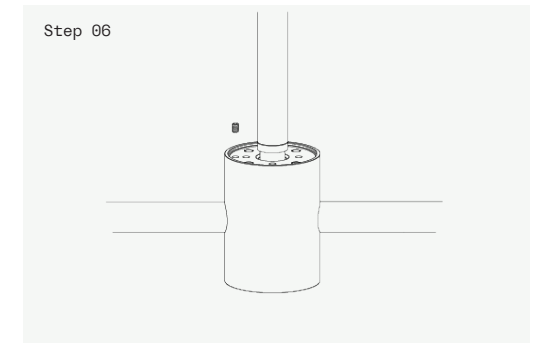
Attach the drop bar to the mount by screwing in the mount collet. Note: Use the tool provided to tighten the mount collet in place.



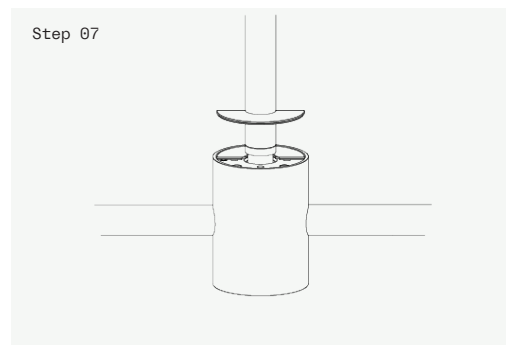
Cover the ceiling rose canopy with the two halves of the cover plates.



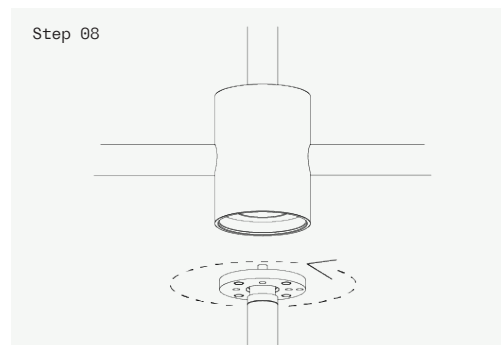
Offer up the tier to the drop bar. Screw the collet disc in to the top of the tier. Note: Use the tool included to fully tighten.



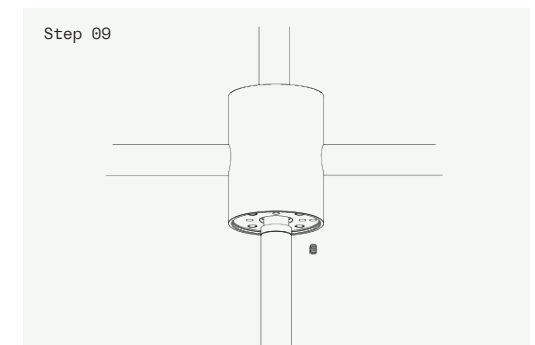
Fix the collet top in place by screwing in the grub screw provided. Be careful not to over-tighten.



Finish by adding the two halves of the cover cap. If you are connecting multiple tiers please keep following the instructions.



Offer up the tier to the drop bar. Screw the collet disc in to the top of the tier. Note: Use the tool included to fully tighten.



Fix the collet top in place by screwing in the grub screw provided. Be careful not to over-tighten.

# Empty State

## Installation Guide

### Motion

- ES-CRM

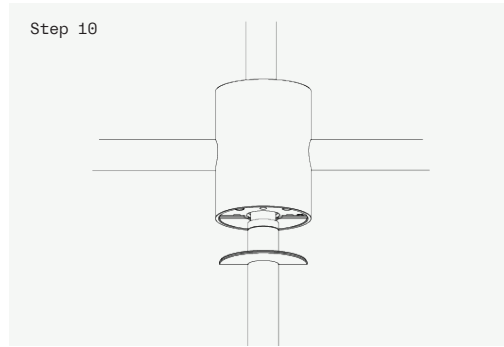
## NOTES

Make sure the ceiling is capable of supporting the weight of the light. We recommend you seek the advice of a structural engineer or construction professional.

Fixings not supplied. The appropriate fixing will vary depending on the ceiling substrate, therefore fixings will not be supplied. Please use an appropriate fixing to suit your solution.

Installation should be carried out by a suitably qualified electrician. Access to ceiling void required.

Installation only requires one person, however we would recommend two for best results.



Finish by adding the two half of the cover cap. If you are connecting more tiers please repeat steps 08-10.