

Empty State

Installation Guide

Branch

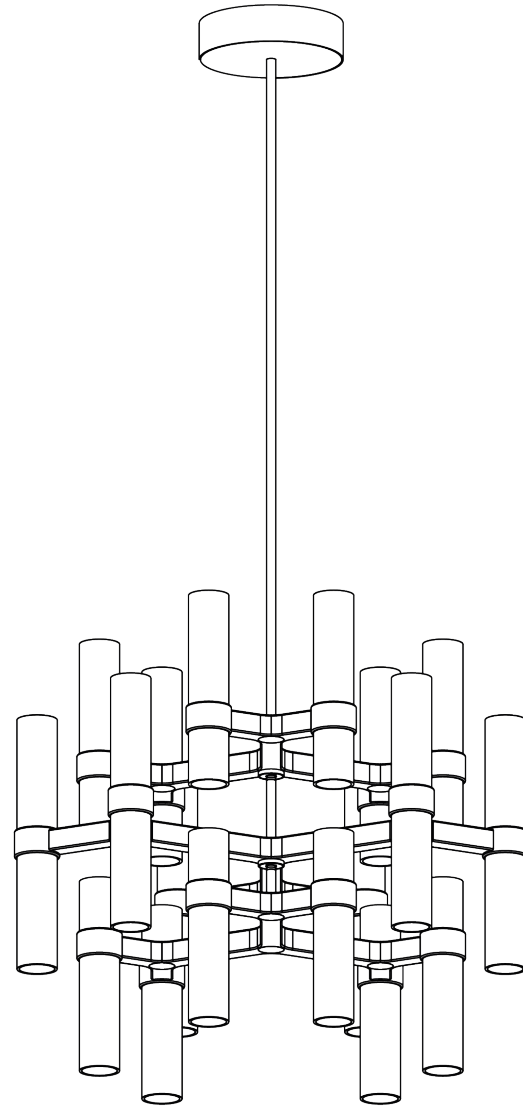
NOTES

Make sure the ceiling is capable of supporting the weight of the light. We recommend you seek the advice of a structural engineer or construction professional.

Fixings not supplied. The appropriate fixing will vary depending on the ceiling substrate, therefore fixings will not be supplied. Please use an appropriate fixing to suit your solution.

Installation should be carried out by a suitably qualified electrician. Access to ceiling void required.

Installation requires two people.



Empty State

Installation Guide

Branch
- ES-CR

NOTES

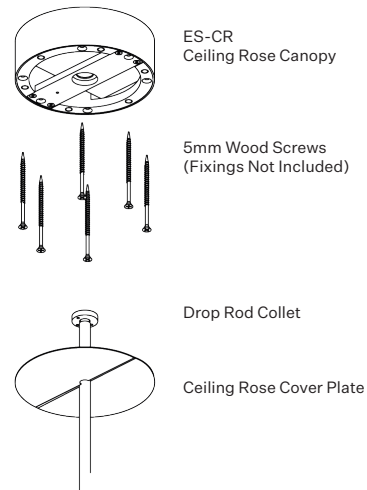
Make sure the ceiling is capable of supporting the weight of the light. We recommend you seek the advice of a structural engineer or construction professional.

Fixings not supplied. The appropriate fixing will vary depending on the ceiling substrate, therefore fixings will not be supplied. Please use an appropriate fixing to suit your solution.

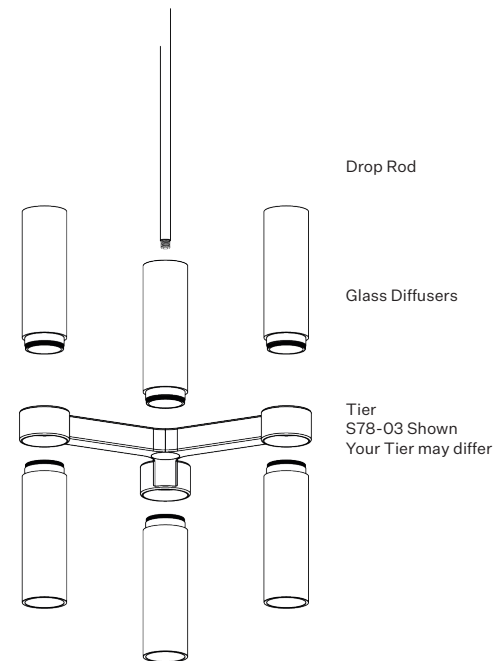
Installation should be carried out by a suitably qualified electrician. Access to ceiling void required.

Installation requires two people.

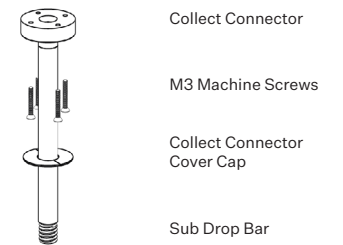
Ceiling Rose



Tier



Tier Connector Kit



*Only Included if purchased multiple tiers

Empty State

Installation Guide

Branch

- ES-CR

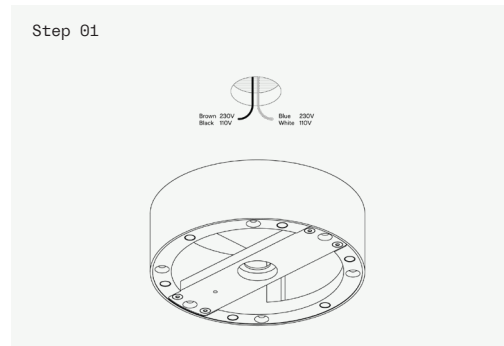
NOTES

Make sure the ceiling is capable of supporting the weight of the light. We recommend you seek the advice of a structural engineer or construction professional.

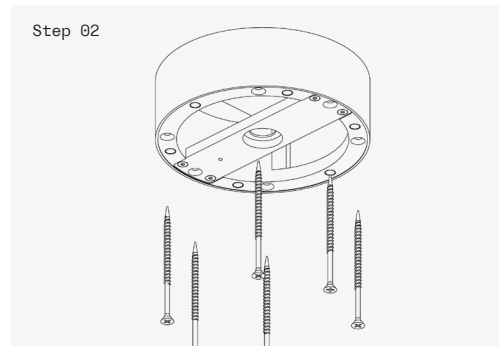
Fixings not supplied. The appropriate fixing will vary depending on the ceiling substrate, therefore fixings will not be supplied. Please use an appropriate fixing to suit your solution.

Installation should be carried out by a suitably qualified electrician. Access to ceiling void required.

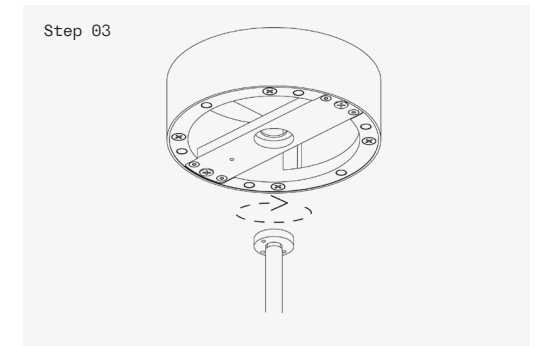
Installation requires two people.



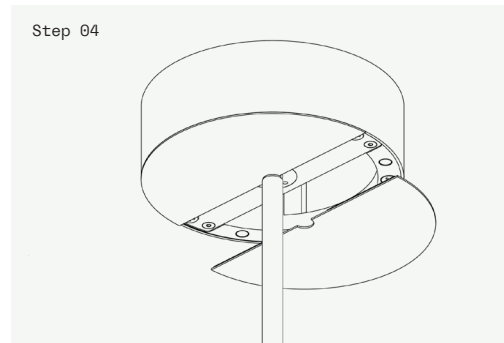
Wire the driver to the mains via the terminal blocks in the driver, making sure they connect to power in.
Note: Align ceiling void hole to driver access point.



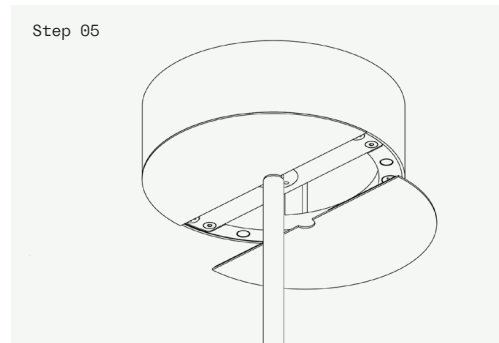
Fix the ceiling rose canopy to the ceiling using 5mm wood screws. Fixings are not provided.
Note: Be sure the screws sit within the counter sink.



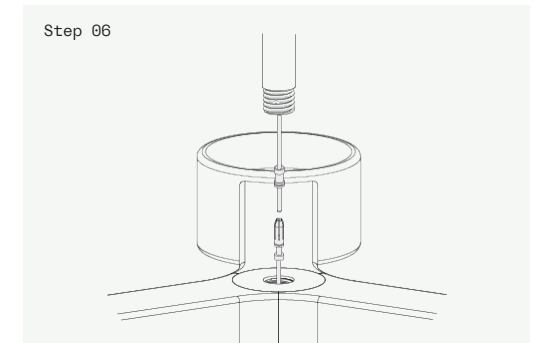
Attach the drop rod to the ceiling canopy. Do this by screwing the collect at the top of the drop in to the cross bar with the tool provided.



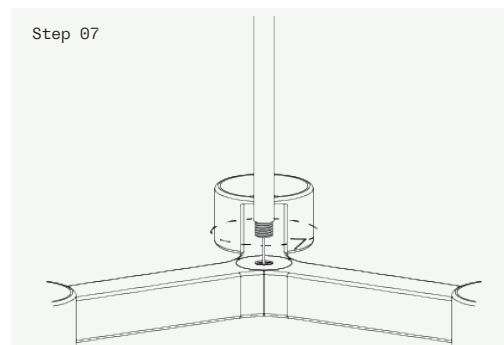
Cover the ceiling rose canopy with the two half's of the cover plates.



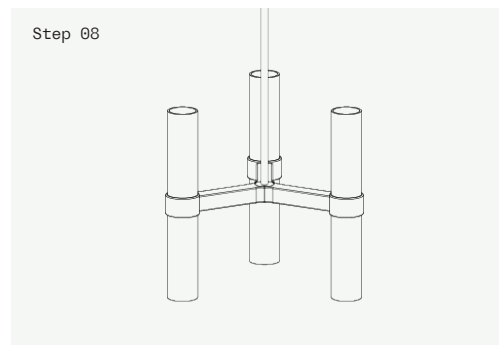
Cover the ceiling rose canopy with the two half's of the cover plates.



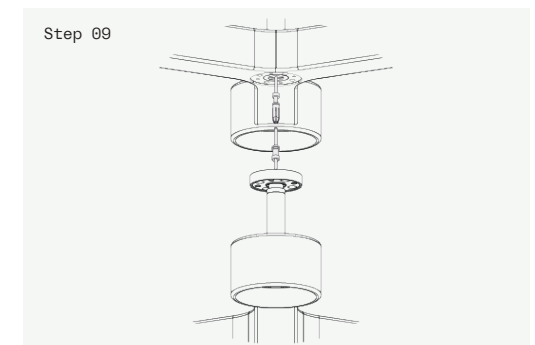
Offer up the Branch Tier to the drop bar. Connect the bullet connectors feeding any excess cable back into the drop rod. Make sure the bullet connectors are fully engaged with no metal parts of the connectors exposed.



Screw the drop rod in to the end of the tier. Try not to twist the cables inside. Note: You will be able to position the tier when the drop is fully screwed in to the tier due to a ball joint in the ceiling rose.



If you have more than one tier please follow the instructions. If you are only installing one tier please go to Step 12.



Offer up the next tier with the sub drop rod already connected. Connect the bullet connectors feeding any excess cable back into the Sub drop rod. Make sure the bullet connectors are fully engaged with no metal parts of the connectors exposed.

Empty State

Installation Guide

Branch

- ES-CR

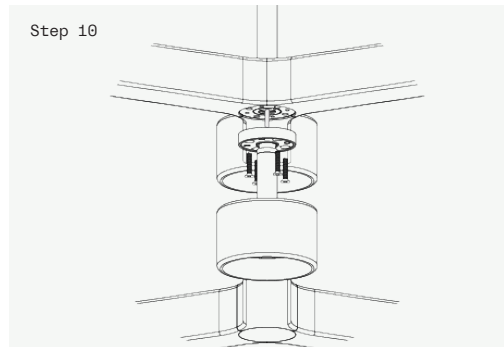
NOTES

Make sure the ceiling is capable of supporting the weight of the light. We recommend you seek the advice of a structural engineer or construction professional.

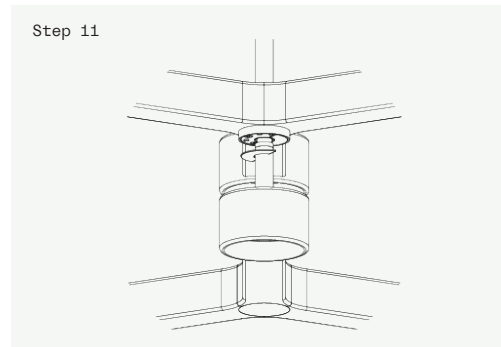
Fixings not supplied. The appropriate fixing will vary depending on the ceiling substrate, therefore fixings will not be supplied. Please use an appropriate fixing to suit your solution.

Installation should be carried out by a suitably qualified electrician. Access to ceiling void required.

Installation requires two people.



With the bullet connectors connected fix the connector collet to the underside of the tier fixing in place with the 4 M4 machine screws provided.



Add the two halves of the collet connector cover plate. If you are connecting multiple tiers please repeat steps 09-11

Empty State

Installation Guide

Branch

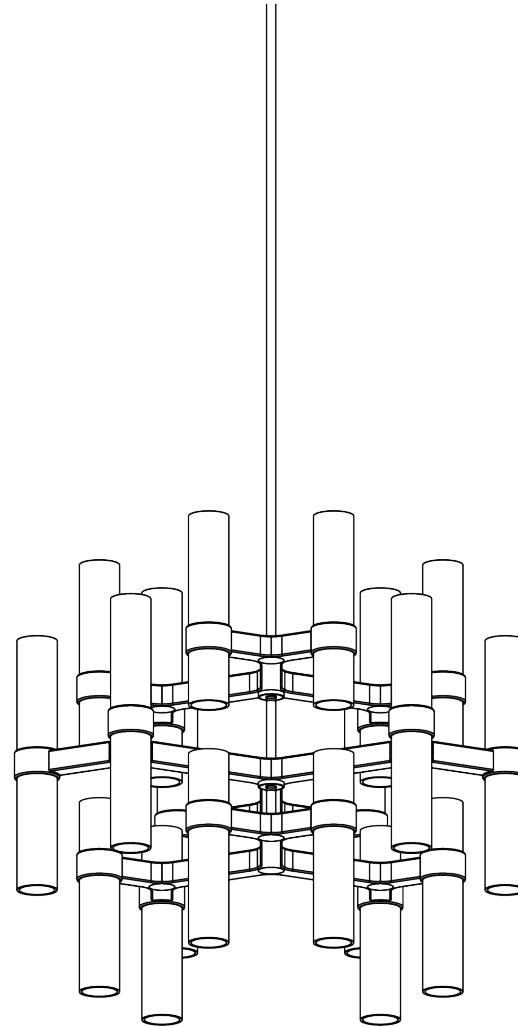
NOTES

Make sure the ceiling is capable of supporting the weight of the light. We recommend you seek the advice of a structural engineer or construction professional.

Fixings not supplied. The appropriate fixing will vary depending on the ceiling substrate, therefore fixings will not be supplied. Please use an appropriate fixing to suit your solution.

Installation should be carried out by a suitably qualified electrician. Access to ceiling void required.

Installation requires two people.



Empty State

Installation Guide

Branch
- ES-CRM

NOTES

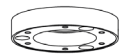
Make sure the ceiling is capable of supporting the weight of the light. We recommend you seek the advice of a structural engineer or construction professional.

Fixings not supplied. The appropriate fixing will vary depending on the ceiling substrate, therefore fixings will not be supplied. Please use an appropriate fixing to suit your solution.

Installation should be carried out by a suitably qualified electrician. Access to ceiling void required.

Installation requires two people.

Ceiling Rose



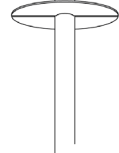
ES-CRM
Ceiling Plate



5mm Wood Screws
(Fixings Not Included)

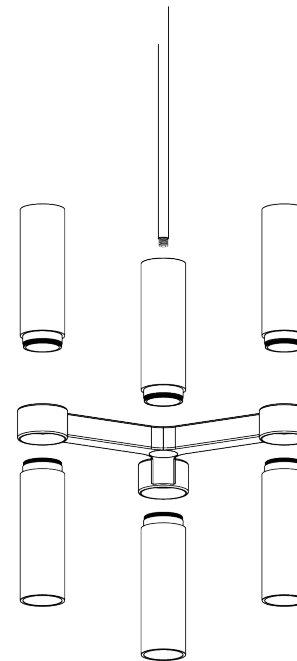


Drop Rod Collet



Ceiling Rose Cover Plate

Tier



Drop Rod

Glass Diffusers

Tier
S78-03 Shown
Your Tier may differ

Tier Connector Kit



Collect Connector

M3 Machine Screws

Collect Connector
Cover Cap

Sub Drop Bar

*Only Included if purchased multiple tiers

Empty State

Installation Guide

Branch

- ES-CRM

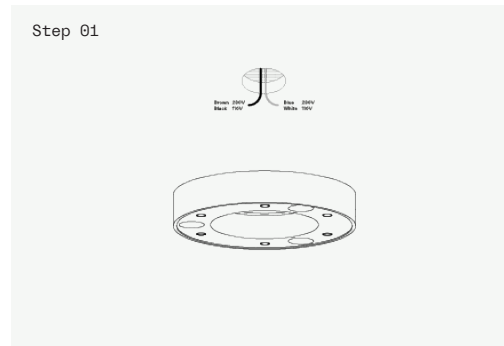
NOTES

Make sure the ceiling is capable of supporting the weight of the light. We recommend you seek the advice of a structural engineer or construction professional.

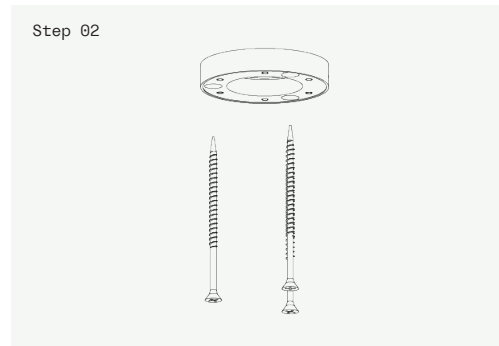
Fixings not supplied. The appropriate fixing will vary depending on the ceiling substrate, therefore fixings will not be supplied. Please use an appropriate fixing to suit your solution.

Installation should be carried out by a suitably qualified electrician. Access to ceiling void required.

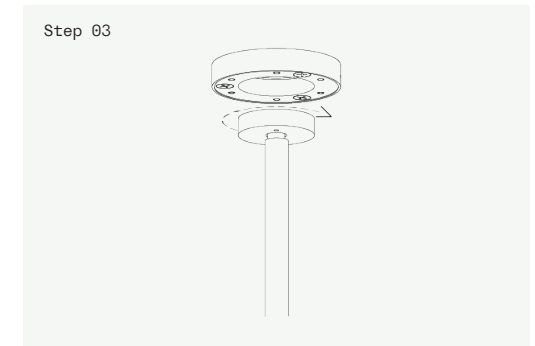
Installation requires two people.



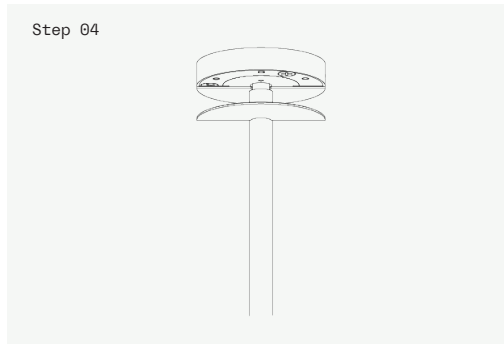
Align the ceiling plate to the access point to the ceiling void and wire the driver to the mount via the terminal blocks. Driver needs to be stored within ceiling void or within 8m of the light.



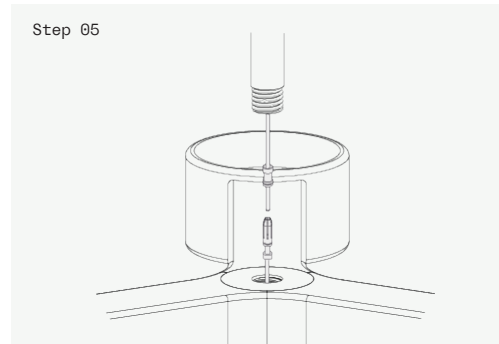
Fix the ceiling plate canopy to the ceiling using three 5mm wood screws. Fixings are not provided. Note: Be sure the screws sit within the counter sink.



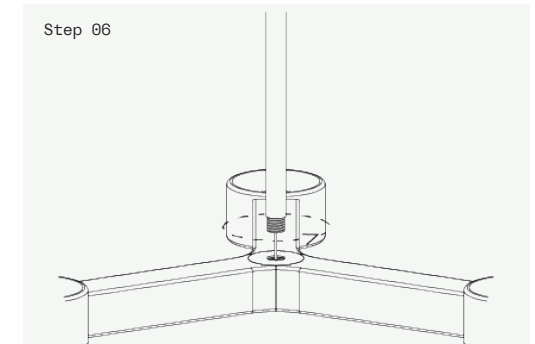
Attach the drop bar to the mount by screwing in the mount collet. Note: Use the tool provided to tighten the mount collet in to place.



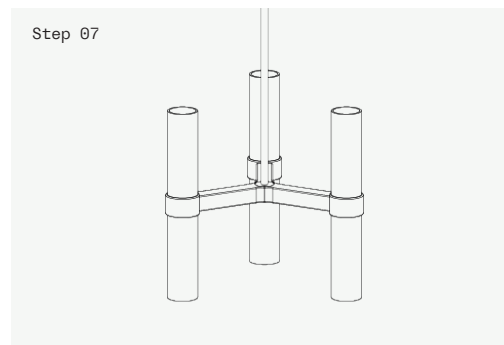
Cover the ceiling rose canopy with the two halves of the cover plates.



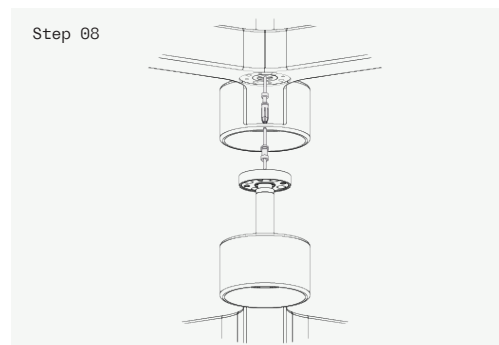
Offer up the Branch Tier to the drop bar. Connect the bullet connectors feeding any excess cable back into the drop rod. Make sure the bullet connectors are fully engaged with no metal parts of the connectors exposed.



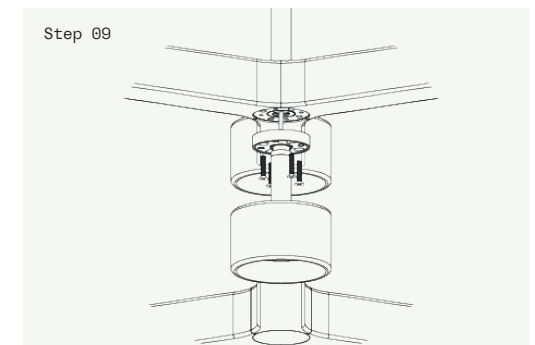
Screw the drop rod in to the end of the tier. Try not to twist the cables inside. Note: You will be able to position the tier when the drop is fully screwed in to the tier due to a ball joint in the ceiling rose.



If you have more than one tier please follow the instructions. If you are only installing one tier please go to Step 12



Offer up the next tier with the sub drop rod already connected. Connect the bullet connectors feeding any excess cable back into the sub drop rod. Make sure the bullet connectors are fully engaged with no metal parts of the connectors exposed.



With the bullet connectors connected fix the connector collet to the underside of the tier fixing in place with the 4 M4 machine screws provided.

Empty State

Installation Guide

Branch

- ES-CRM

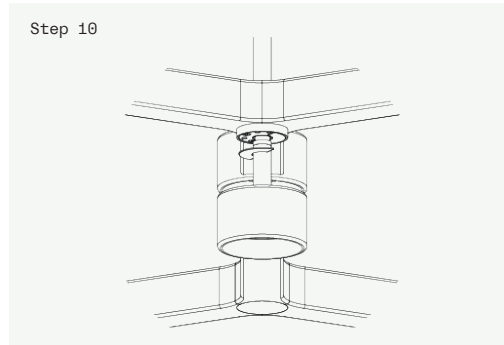
NOTES

Make sure the ceiling is capable of supporting the weight of the light. We recommend you seek the advice of a structural engineer or construction professional.

Fixings not supplied. The appropriate fixing will vary depending on the ceiling substrate, therefore fixings will not be supplied. Please use an appropriate fixing to suit your solution.

Installation should be carried out by a suitably qualified electrician. Access to ceiling void required.

Installation requires two people.



Add the two halves of the collett connector cover plate.
If you are connecting multiple tiers please repeat steps 09-11

Empty State

Installation Guide

Branch

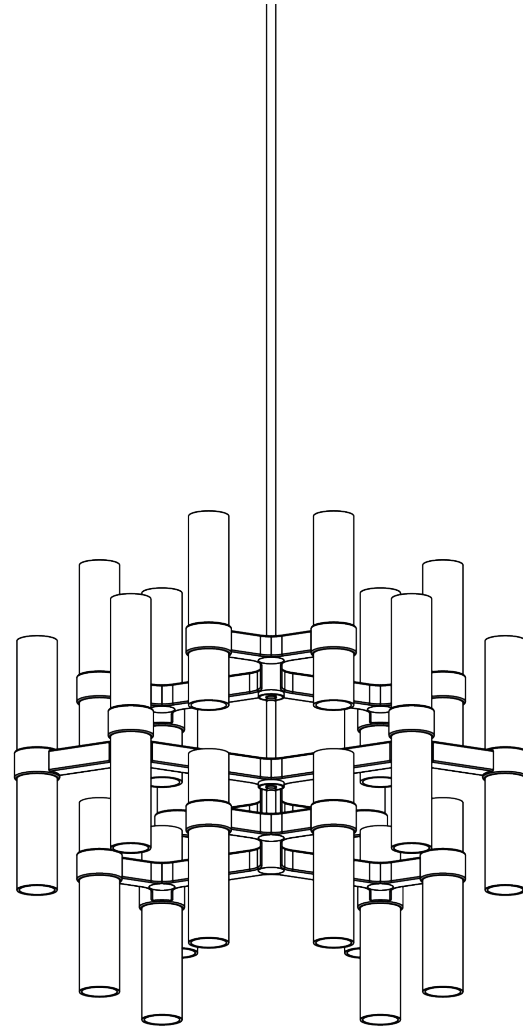
NOTES

Make sure the ceiling is capable of supporting the weight of the light. We recommend you seek the advice of a structural engineer or construction professional.

Fixings not supplied. The appropriate fixing will vary depending on the ceiling substrate, therefore fixings will not be supplied. Please use an appropriate fixing to suit your solution.

Installation should be carried out by a suitably qualified electrician. Access to ceiling void required.

Installation requires two people.



Empty State

Installation Guide

Branch
- ES-CRL

NOTES

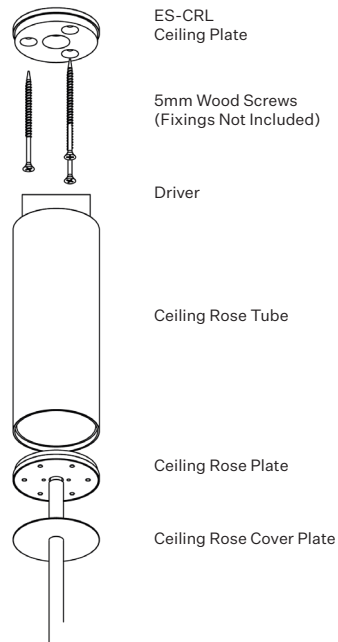
Make sure the ceiling is capable of supporting the weight of the light. We recommend you seek the advice of a structural engineer or construction professional.

Fixings not supplied. The appropriate fixing will vary depending on the ceiling substrate, therefore fixings will not be supplied. Please use an appropriate fixing to suit your solution.

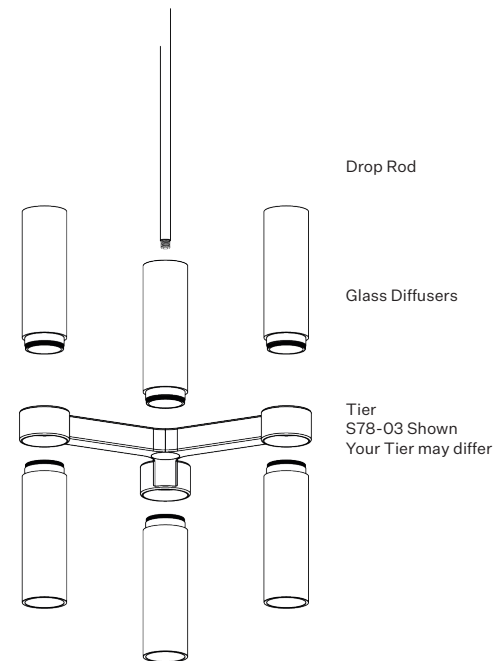
Installation should be carried out by a suitably qualified electrician. Access to ceiling void required.

Installation requires two people.

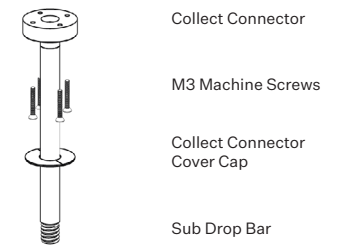
Ceiling Rose



Tier



Tier Connector Kit



*Only Included if purchased multiple tiers

Empty State

Installation Guide

Branch

- ES-CRL

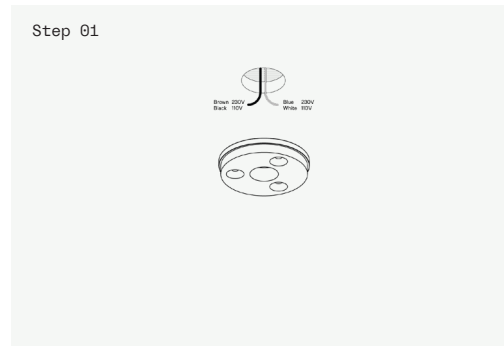
NOTES

Make sure the ceiling is capable of supporting the weight of the light. We recommend you seek the advice of a structural engineer or construction professional.

Fixings not supplied. The appropriate fixing will vary depending on the ceiling substrate, therefore fixings will not be supplied. Please use an appropriate fixing to suit your solution.

Installation should be carried out by a suitably qualified electrician. Access to ceiling void required.

Installation requires two people.



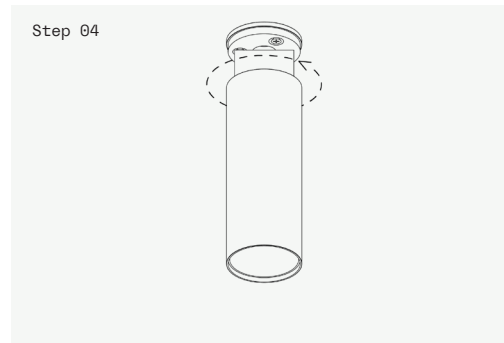
Align the ceiling plate to the access point to the ceiling void and feed the wires through the central hole.



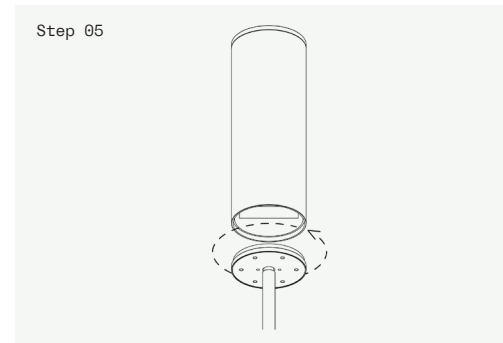
Fix the ceiling plate canopy to the ceiling using three 5mm wood screws. Fixings are not provided.
Note: Be sure the screws sit within the counter sink



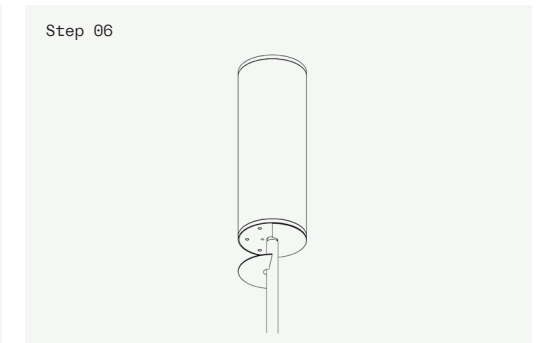
Wire the driver to the mains via the terminal blocks in the driver, making sure they connect to power in. Feed any excess cables back into the ceiling void.



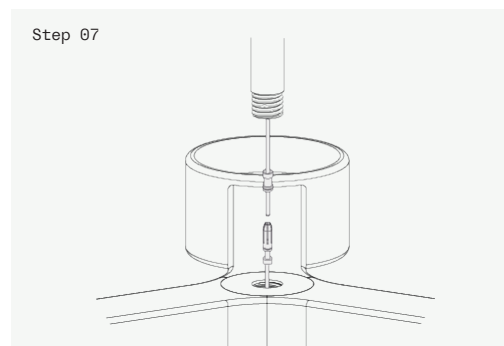
Screw the Ceiling Rose Tube to the ceiling plate.



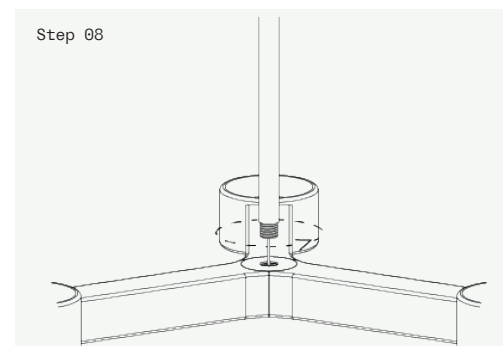
With the drop bar pre connected, screw the Ceiling Rose Tube to the Ceiling Rose Tube.
Note: Use tool provided.



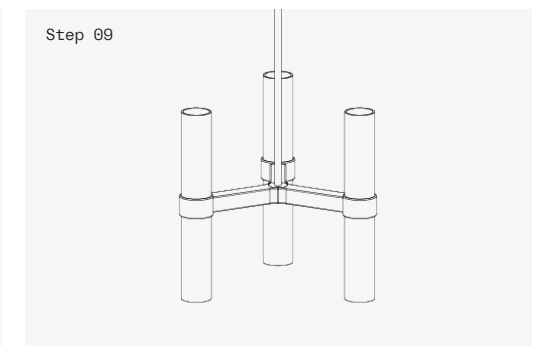
Cover the ceiling rose canopy with the two half's of the cover plates.



Offer up the Branch Tier to the drop bar. Connect the bullet connectors feeding any excess cable back into the drop rod. Make sure the bullet connectors are fully engaged with no metal parts of the connectors exposed.



Screw the drop rod in to the end of the tier. Try not to twist the cables inside. Note: You will be able to position the tier when the drop is fully screwed in to the tier due to a ball joint in the ceiling rose.



If you have more than one tier please follow the instructions. If you are only installing one tier please go to Step 12

Empty State

Installation Guide

Branch

- ES-CRL

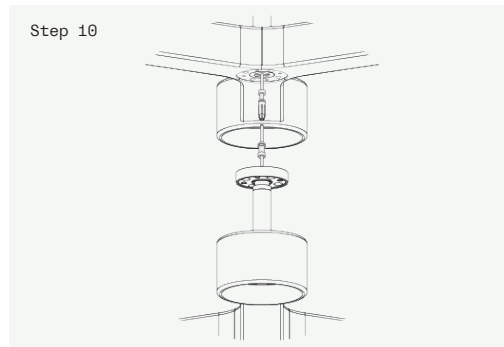
NOTES

Make sure the ceiling is capable of supporting the weight of the light. We recommend you seek the advice of a structural engineer or construction professional.

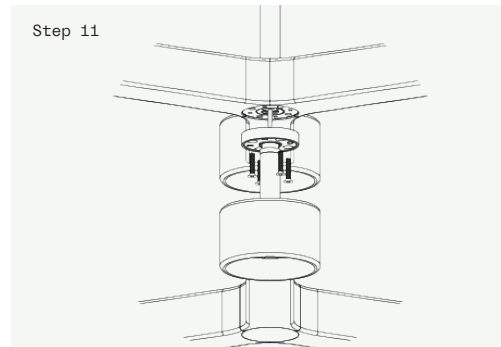
Fixings not supplied. The appropriate fixing will vary depending on the ceiling substrate, therefore fixings will not be supplied. Please use an appropriate fixing to suit your solution.

Installation should be carried out by a suitably qualified electrician. Access to ceiling void required.

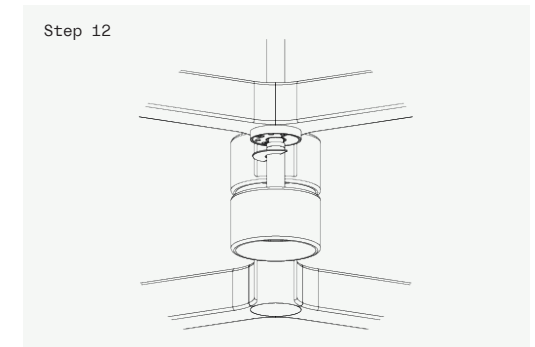
Installation requires two people.



Step 10
Offer up the next tier with the sub drop rod already connected. Connect the bullet connectors feeding any excess cable back into the Sub drop rod. Make sure the bullet connectors are fully engaged with no metal parts of the connectors exposed.



Step 11
With the bullet connectors connected fix the connector collet to the underside of the tier fixing in place with the 4 M4 machine screws provided.



Step 12
Add the two halves of the collet connector cover plate. If you are connecting multiple tiers please repeat steps 09-11