

# Empty State

## Installation Guide

### Ball & Hoop

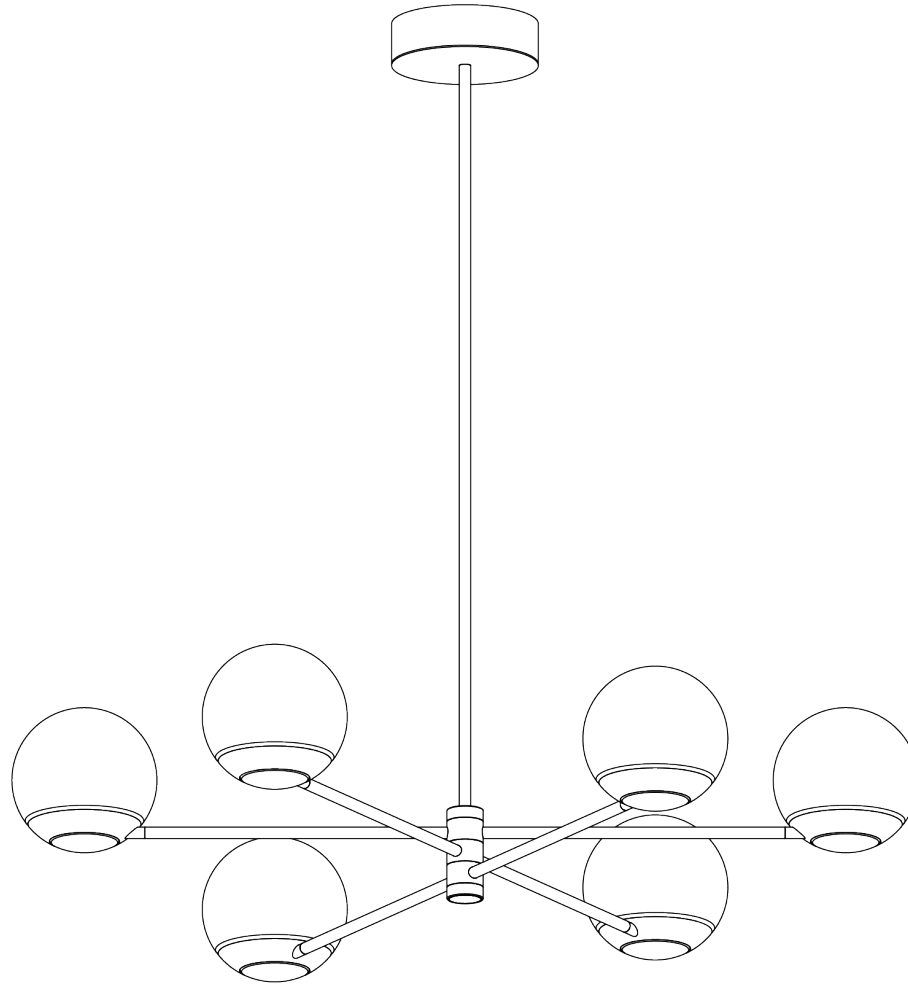
#### NOTES

Make sure the ceiling is capable of supporting the weight of the light. We recommend you seek the advice of a structural engineer or construction professional.

Fixings not supplied. The appropriate fixing will vary depending on the ceiling substrate, therefore fixings will not be supplied. Please use an appropriate fixing to suit your solution.

Installation should be carried out by a suitably qualified electrician. Access to ceiling void required.

Installation requires two people.



# Empty State

## Installation Guide

### Ball & Hoop - ES-CR

#### NOTES

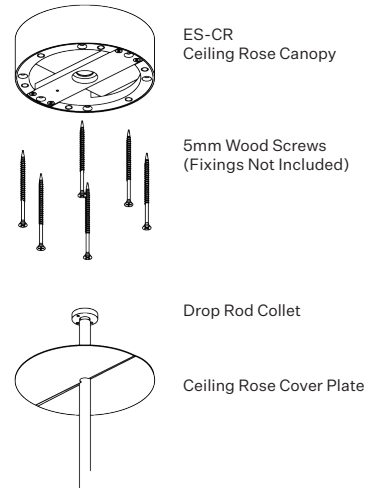
Make sure the ceiling is capable of supporting the weight of the light. We recommend you seek the advice of a structural engineer or construction professional.

Fixings not supplied. The appropriate fixing will vary depending on the ceiling substrate, therefore fixings will not be supplied. Please use an appropriate fixing to suit your solution.

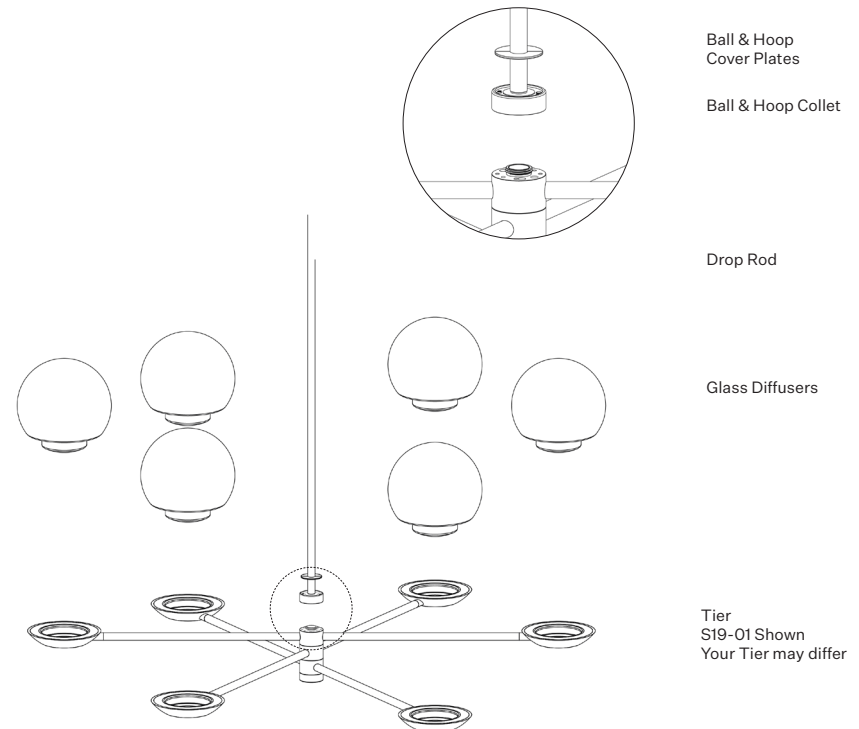
Installation should be carried out by a suitably qualified electrician. Access to ceiling void required.

Installation requires two people.

### Ceiling Rose



### Tier



# Empty State

## Installation Guide

### Ball & Hoop

- ES-CR

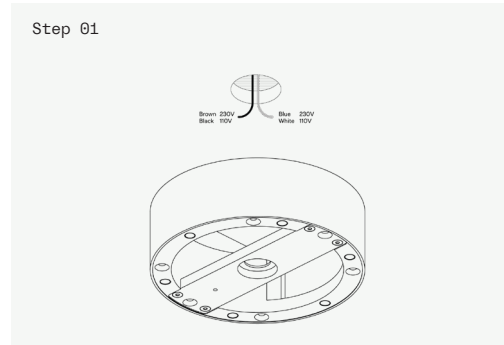
## NOTES

Make sure the ceiling is capable of supporting the weight of the light. We recommend you seek the advice of a structural engineer or construction professional.

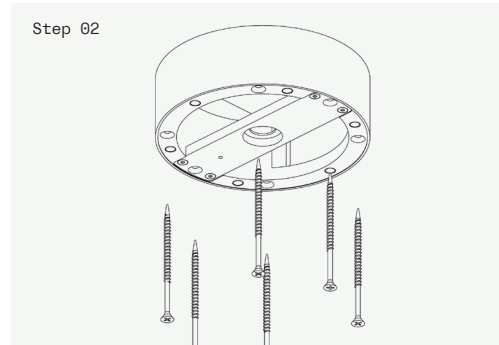
Fixings not supplied. The appropriate fixing will vary depending on the ceiling substrate, therefore fixings will not be supplied. Please use an appropriate fixing to suit your solution.

Installation should be carried out by a suitably qualified electrician. Access to ceiling void required.

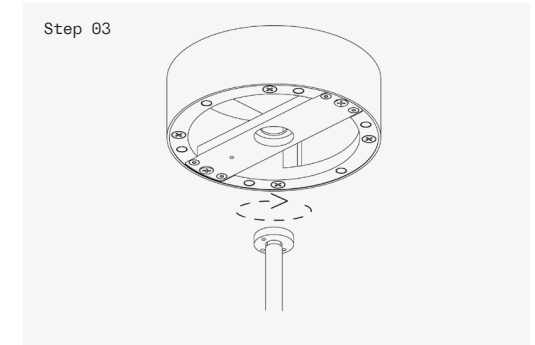
Installation requires two people.



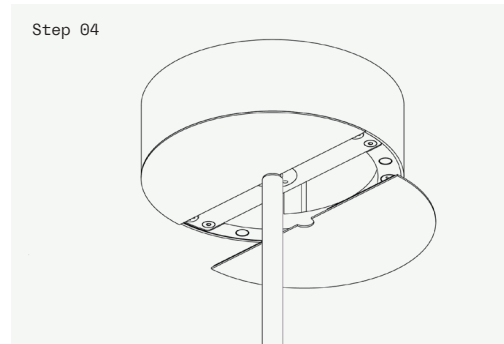
Step 01  
Wire the driver to the mains via the terminal blocks in the driver, making sure they connect to power in.  
Note: Align ceiling void hole to driver access point.



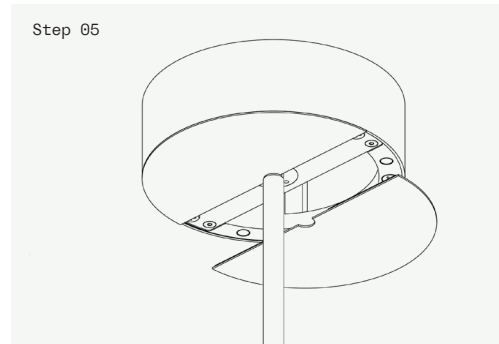
Step 02  
Fix the ceiling rose canopy to the ceiling using 5mm wood screws. Fixings are not provided.  
Note: Be sure the screws sit within the counter sink



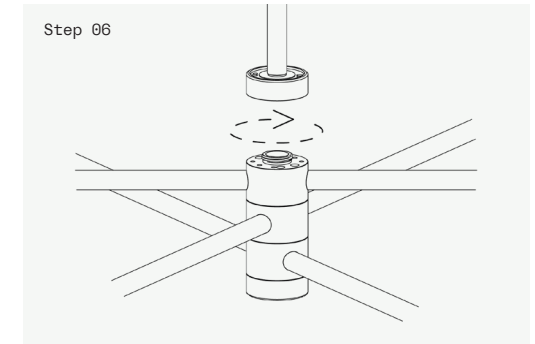
Step 03  
Attach the drop rod to the ceiling canopy. Do this by screwing the collect at the top of the drop in to the cross bar with the tool provided.



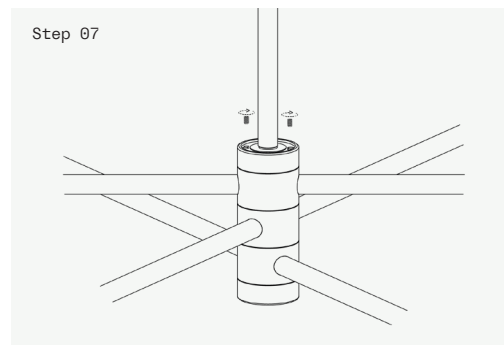
Step 04  
Cover the ceiling rose canopy with the two half's of the cover plates.



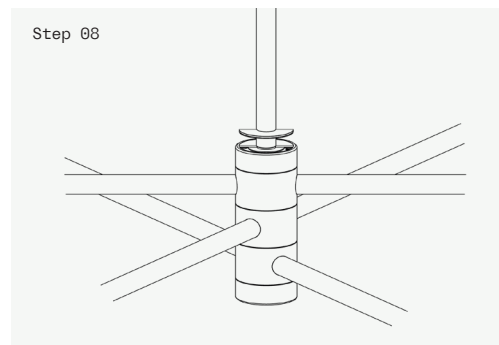
Step 05  
Cover the ceiling rose canopy with the two half's of the cover plates.



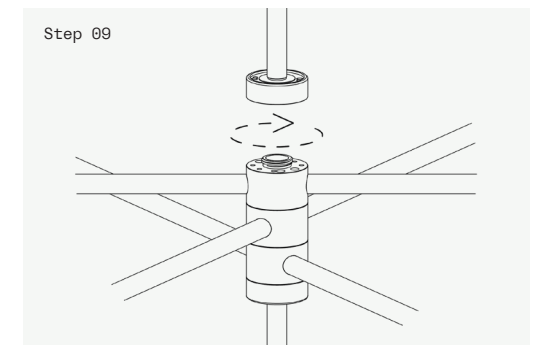
Step 06  
On the other end of the drop bar is the top of the Ball & Hoop collect, screw this on to the top of the Ball & Hoop tier.



Step 07  
Once the top collect has been fixed to the tier fix it in two places with 3mm grub screws.  
Note: be careful not to over tighten the grub screws



Step 08  
Add the two half's of the cover plates to the the top of the collect.



Step 09  
If you care connecting multiple tiers repeat step 05-07.

# Empty State

## Installation Guide

### Ball & Hoop

- ES-CR

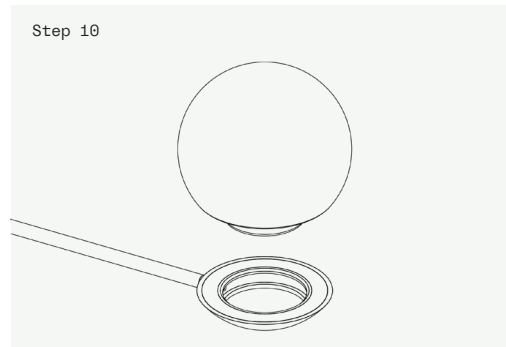
## NOTES

Make sure the ceiling is capable of supporting the weight of the light. We recommend you seek the advice of a structural engineer or construction professional.

Fixings not supplied. The appropriate fixing will vary depending on the ceiling substrate, therefore fixings will not be supplied. Please use an appropriate fixing to suit your solution.

Installation should be carried out by a suitably qualified electrician. Access to ceiling void required.

Installation requires two people.



Once all tiers have been connected place the ball diffusers in the hoops.

Note: add balls in pairs to help counterweight the light.

# Empty State

## Installation Guide

### Ball & Hoop

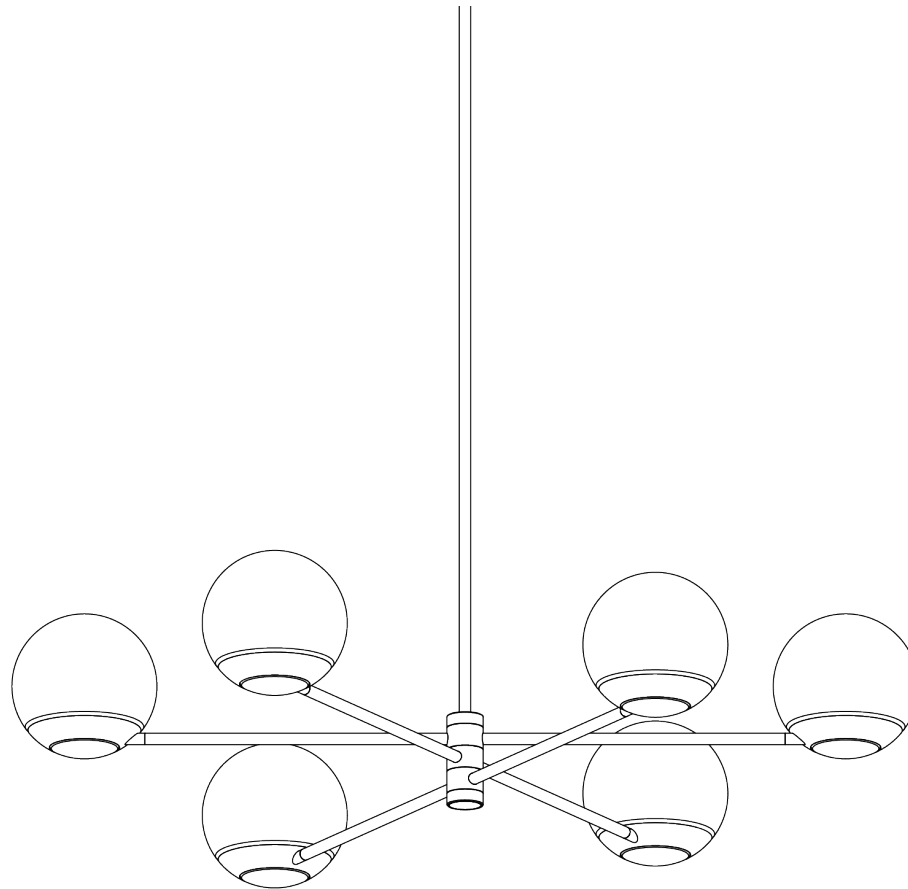
#### NOTES

Make sure the ceiling is capable of supporting the weight of the light. We recommend you seek the advice of a structural engineer or construction professional.

Fixings not supplied. The appropriate fixing will vary depending on the ceiling substrate, therefore fixings will not be supplied. Please use an appropriate fixing to suit your solution.

Installation should be carried out by a suitably qualified electrician. Access to ceiling void required.

Installation requires two people.



# Empty State

## Installation Guide

### Ball & Hoop - ES-CRM

#### NOTES

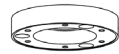
Make sure the ceiling is capable of supporting the weight of the light. We recommend you seek the advice of a structural engineer or construction professional.

Fixings not supplied. The appropriate fixing will vary depending on the ceiling substrate, therefore fixings will not be supplied. Please use an appropriate fixing to suit your solution.

Installation should be carried out by a suitably qualified electrician. Access to ceiling void required.

Installation requires two people.

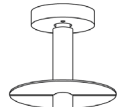
### Ceiling Rose



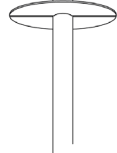
ES-CRM  
Ceiling Plate



5mm Wood Screws  
(Fixings Not Included)

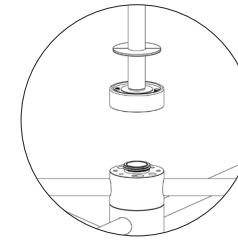


Drop Rod Collet



Ceiling Rose Cover Plate

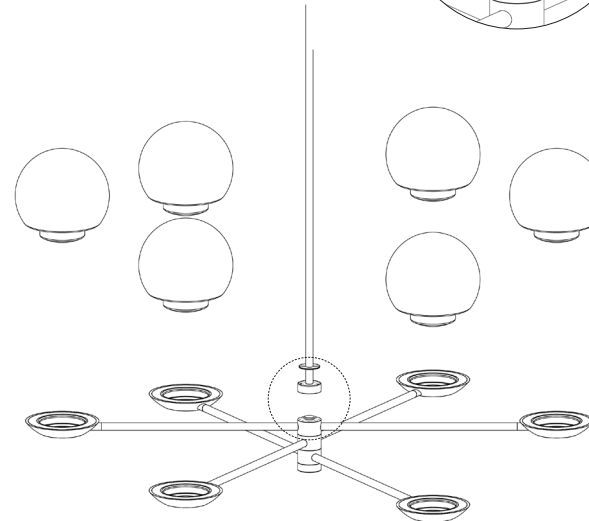
### Tier



Ball & Hoop  
Cover Plates

Ball & Hoop Collet

Drop Rod



Glass Diffusers

Tier  
S19-01 Shown  
Your Tier may differ

# Empty State

## Installation Guide

### Ball & Hoop

- ES-CRM

## NOTES

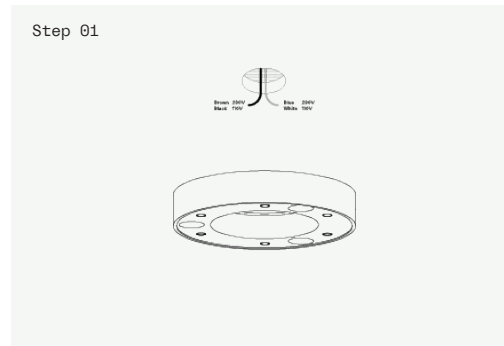
Make sure the ceiling is capable of supporting the weight of the light. We recommend you seek the advice of a structural engineer or construction professional.

Fixings not supplied. The appropriate fixing will vary depending on the ceiling substrate, therefore fixings will not be supplied. Please use an appropriate fixing to suit your solution.

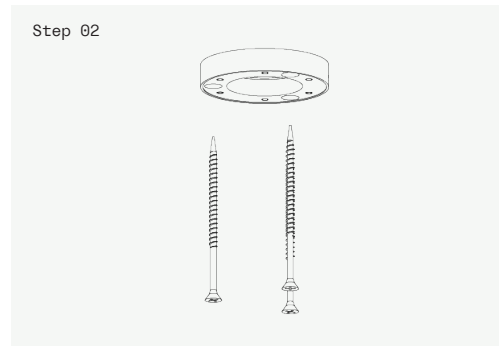
Installation should be carried out by a suitably qualified electrician. Access to ceiling void required.

Installation requires two people.

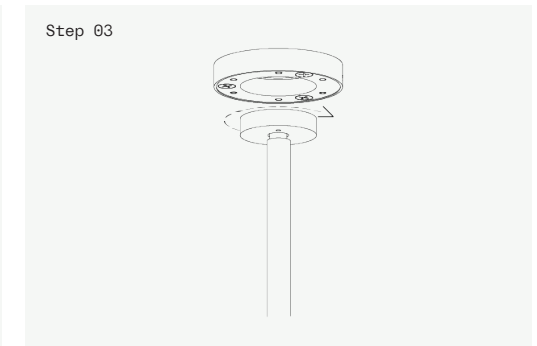
emptystate.com  
technical@emptystate.com



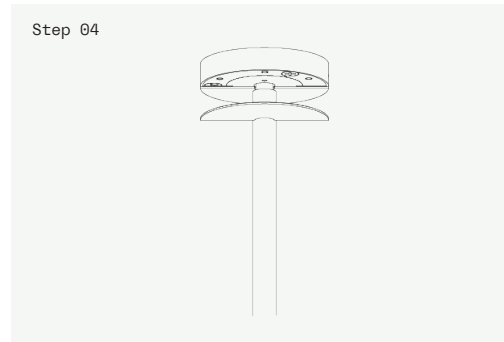
Align the ceiling plate to the access point to the ceiling void and wire the driver to the mount via the terminal blocks. Driver needs to be stored within ceiling void or within 8m of the light.



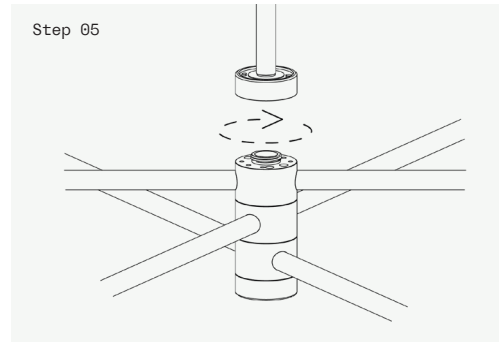
Fix the ceiling plate canopy to the ceiling using three 5mm wood screws. Fixings are not provided. Note: Be sure the screws sit within the counter sink.



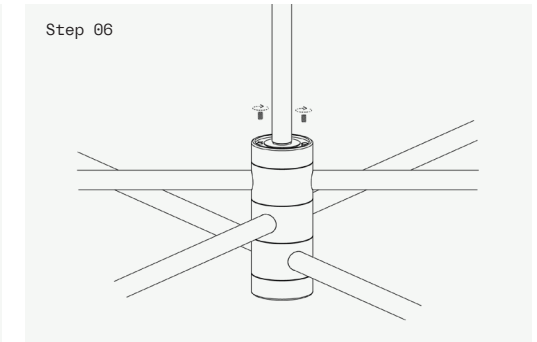
Attach the drop bar to the mount by screwing in the mount collet. Note: Use the tool provided to tighten the mount collet in place.



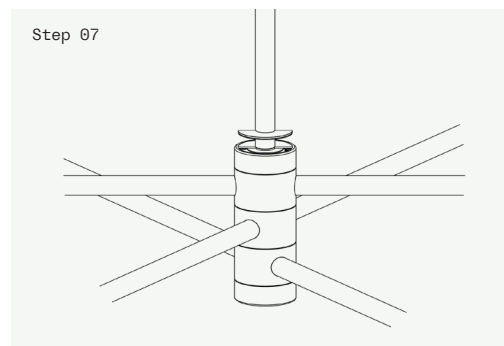
Cover the ceiling rose canopy with the two half's of the cover plates.



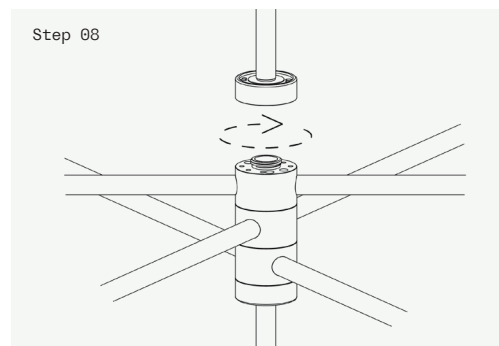
On the other end of the drop bar is the top of the Ball & Hoop collect, screw this on to the top of the Ball & Hoop tier.



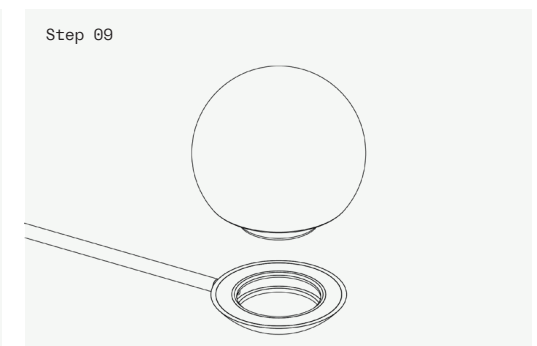
Once the top collect has been fixed to the tier fix it in two places with 3mm grub screws. Note: be careful not to over tighten the grub screws.



Add the two half's of the cover plates to the top of the collect.



If you are connecting multiple tiers repeat step 05-07.



Once all tiers have been connected place the ball diffusers in the hoops. Note: add balls in pairs to help counterweight the light.

# Empty State

## Installation Guide

### Ball & Hoop

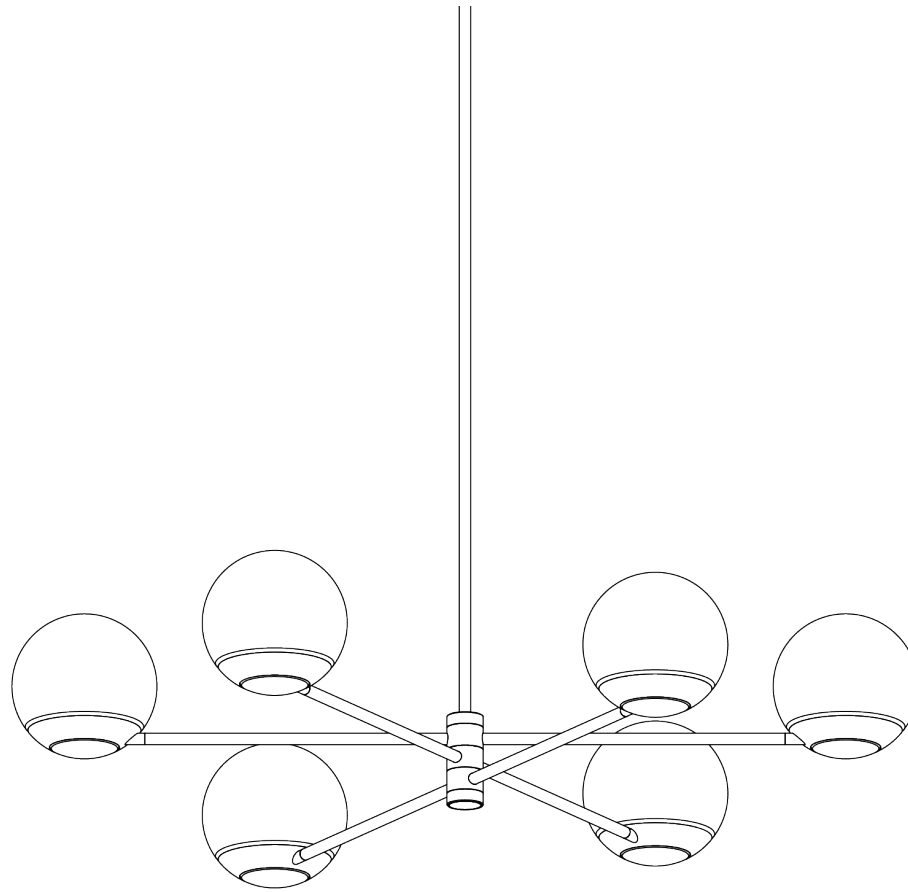
#### NOTES

Make sure the ceiling is capable of supporting the weight of the light. We recommend you seek the advice of a structural engineer or construction professional.

Fixings not supplied. The appropriate fixing will vary depending on the ceiling substrate, therefore fixings will not be supplied. Please use an appropriate fixing to suit your solution.

Installation should be carried out by a suitably qualified electrician. Access to ceiling void required.

Installation requires two people.





# Empty State

## Installation Guide

### Ball & Hoop - ES-CRL

#### NOTES

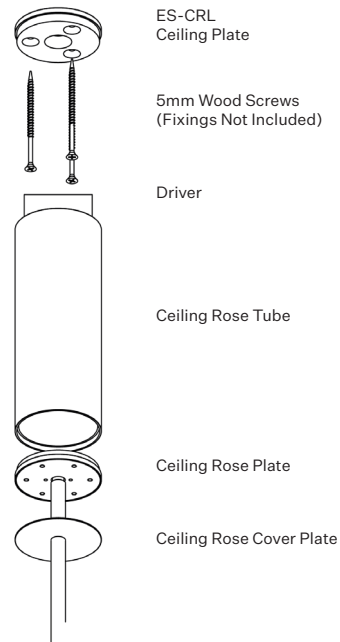
Make sure the ceiling is capable of supporting the weight of the light. We recommend you seek the advice of a structural engineer or construction professional.

Fixings not supplied. The appropriate fixing will vary depending on the ceiling substrate, therefore fixings will not be supplied. Please use an appropriate fixing to suit your solution.

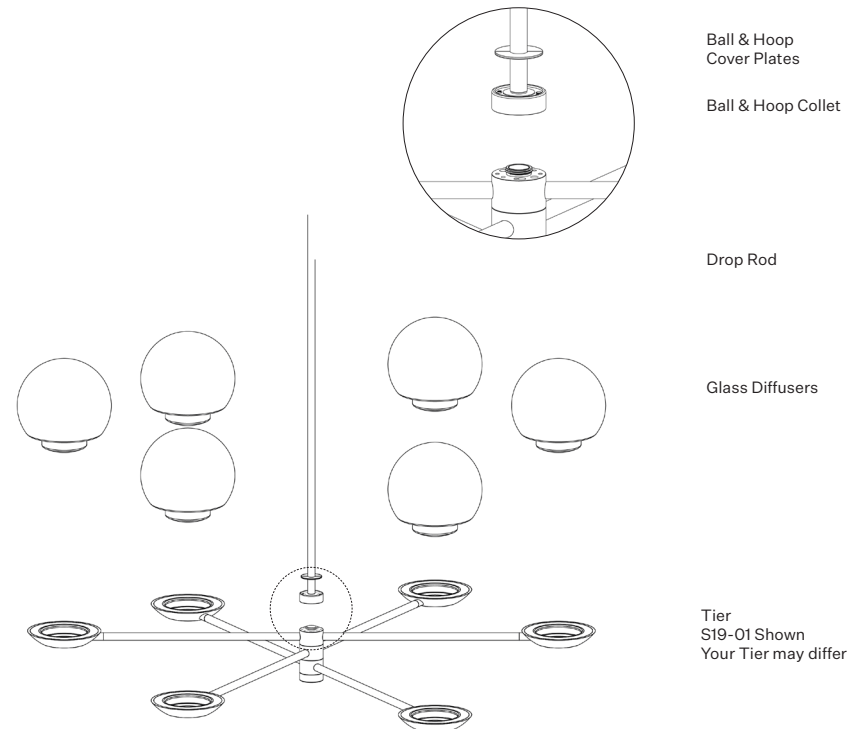
Installation should be carried out by a suitably qualified electrician. Access to ceiling void required.

Installation requires two people.

## Ceiling Rose



## Tier



# Empty State

## Installation Guide

### Ball & Hoop

- ES-CRL

## NOTES

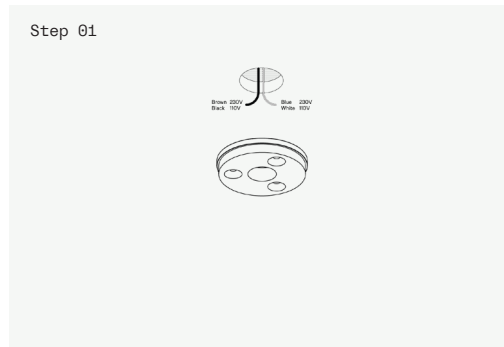
Make sure the ceiling is capable of supporting the weight of the light. We recommend you seek the advice of a structural engineer or construction professional.

Fixings not supplied. The appropriate fixing will vary depending on the ceiling substrate, therefore fixings will not be supplied. Please use an appropriate fixing to suit your solution.

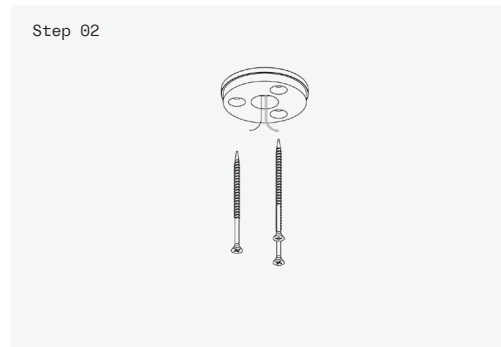
Installation should be carried out by a suitably qualified electrician. Access to ceiling void required.

Installation requires two people.

emptystate.com  
technical@emptystate.com



Align the ceiling plate to the access point to the ceiling void and feed the wires through the central hole.



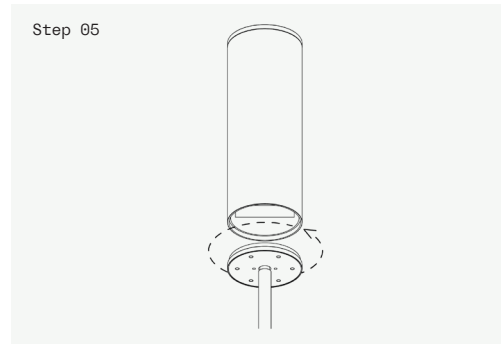
Fix the ceiling plate canopy to the ceiling using three 5mm wood screws. Fixings are not provided.  
Note: Be sure the screws sit within the counter sink



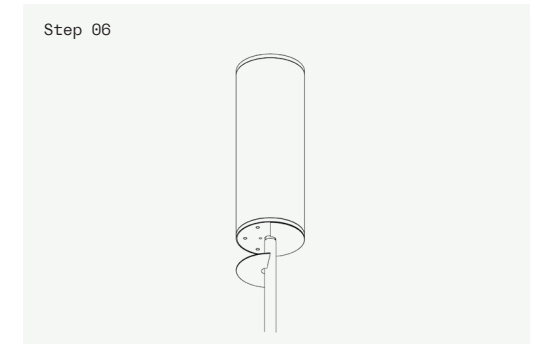
Wire the driver to the mains via the terminal blocks in the driver, making sure they connect to power in. Feed any excess cables back into the ceiling void.



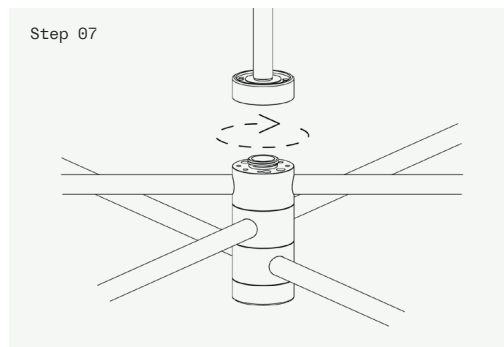
Screw the Ceiling Rose Tube to the ceiling plate.



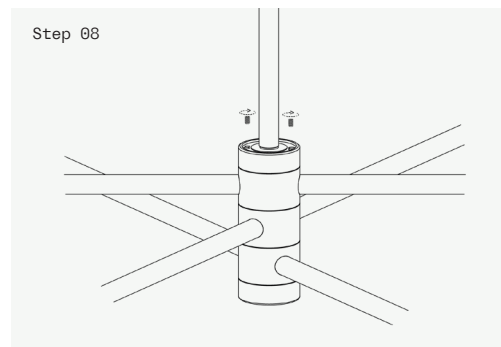
With the drop bar pre-connected, screw the Ceiling Rose Tube to the Ceiling Plate.  
Note: Use tool provided.



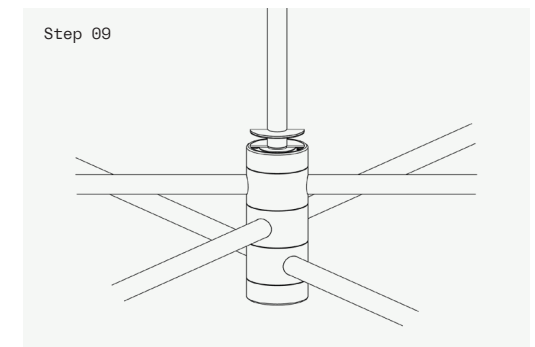
Cover the ceiling rose canopy with the two half's of the cover plates.



On the other end of the drop bar is the top of the Ball & Hoop collect, screw this on to the top of the Ball & Hoop tier.



Once the top collect has been fixed to the tier fix it in two places with 3mm grub screws.  
Note: be careful not to over tighten the grub screws



Add the two half's of the cover plates to the top of the collect.

# Empty State

## Installation Guide

### Ball & Hoop

- ES-CRL

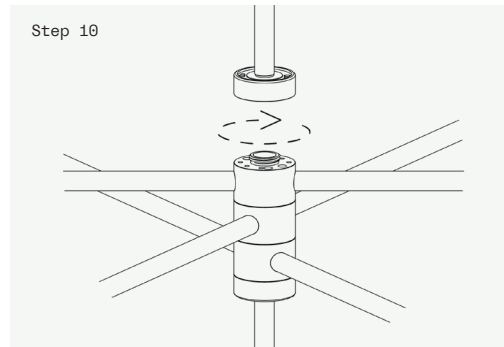
## NOTES

Make sure the ceiling is capable of supporting the weight of the light. We recommend you seek the advice of a structural engineer or construction professional.

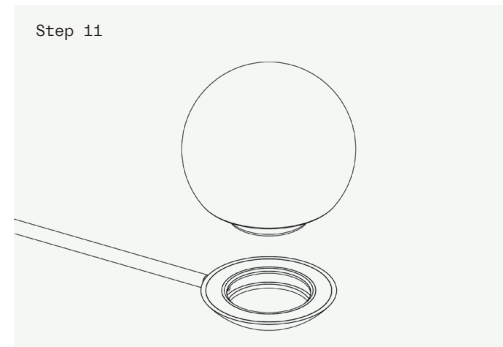
Fixings not supplied. The appropriate fixing will vary depending on the ceiling substrate, therefore fixings will not be supplied. Please use an appropriate fixing to suit your solution.

Installation should be carried out by a suitably qualified electrician. Access to ceiling void required.

Installation requires two people.



If you care connecting multiple tiers repeat step 05-07.



Once all tiers have been connected place the ball diffusers in the hoops.

Note: add balls in pairs to help counterweight the light.