



EL TORRENT IL·LUMINACIÓ S.L.

C/ Curreró 8, 17830  
Mieres (Girona) Spain

T. +34 972 680 291  
F. +34 972 680 011  
eltorrent@eltorrent.com

[www.eltorrent.com](http://www.eltorrent.com)

# KOORD

TUS.KD.001



**Assembly instructions**  
Instructions de montage

## U11598.

### ELECTRICAL INSTRUCTIONS FOR FLUSHMOUNTS, WALL SCONCES, AND PENDANTS.

Save these instructions. Min 90c supply conductors.

Caution risk of fire. Use stated watt or smaller. Caution risk of shock. Disconnect power before servicing.

To reduce the risk of a burn during replacing, allow to the bulb to cool down. Allowed for damp locations.

This product must be installed in accordance with the applicable installation code.

involved.

Warning: all wires and wire nuts used in the installation must be rated 195F(90C) for indoor use only these product must be installed by a qualified electrician.

## U18750.

### ELECTRICAL INSTRUCTIONS FOR LAMPS WITH LED TECHNOLOGI.

Save these instructions. Min 90c supply conductors.

Caution risk of fire. Use stated watt or smaller. Caution risk of shock. Disconnect power before servicing.

Isn't allowed to change or replace any of the components involved on this piece without the authorization and instructions from the manufacturer.

Allowed for damp locations. This product must be installed in accordance with the applicable installation code.

involved.

Warning: all wires and wire nuts used in the installation must be rated 195F(90C) for indoor use only these product must be installed by a qualified electrician.



Avant de monter/déconnecter le courant:  
Les ampoules de remplacement doivent être de même type et la puissance en watts que spécifié dans des instructions.  
Des surfaces métalliques, le verre ou d'autres parties peuvent être



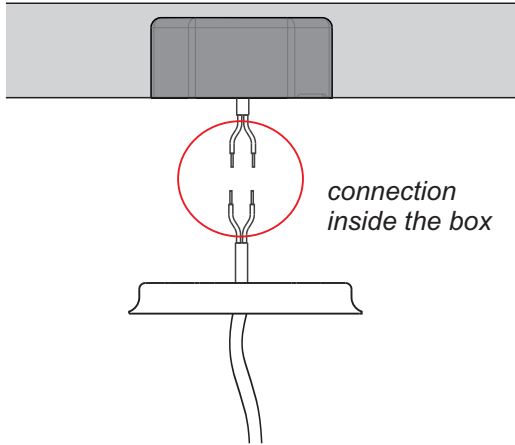
The safety of this fixture is only guaranteed if the following instructions have been observed.  
Always disconnect power before working on fixture.  
Replacement bulbs must be of same type and wattage as specified in instructions.  
Metal surfaces, glass or other parts of fixture may be cleaned with a



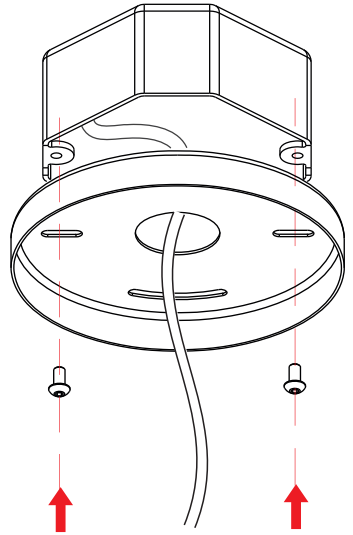
TUS.KD.001.01	1 x 26W / CFL / GU-24 Base
TUS.KD.001.02	1 x 43W / ECO Globe / Medium base 1 x 26W / C.F.Globe / Medium base 1 x 13W / LED / Medium base
TUS.KD.001.03	1 x 17W LED module / 120V 1000lm 2900K

**Light for indoor use only**  
**Seulement pour éclairage intérieur**  
**Tension d'entrée: 120V - 60Hz**  
**Input voltage: 120V - 60Hz**

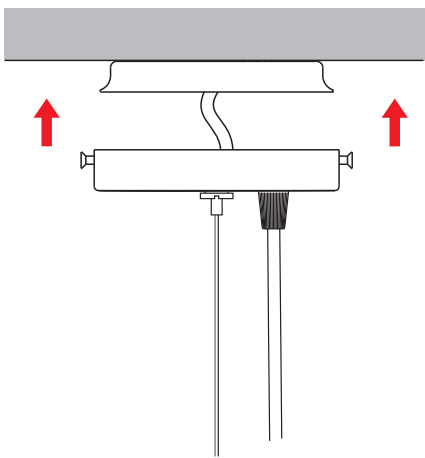
**1**



**2**



**3**



**4**

