

ORG US ph 1300

de Sebastian Summa

FICHE TECHNIQUE TECHNICAL SHEET

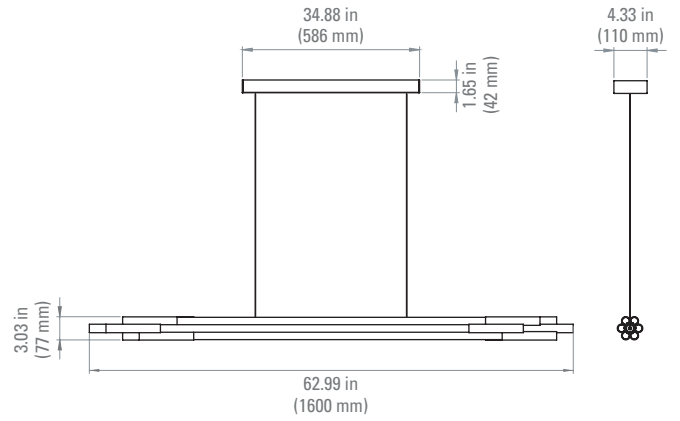


SUSPENSION

PENDANT LAMP

Matériaux Material	Aluminium, verre, acrylique Aluminum, glass, acrylic
Poids Weight	4 Kg
Emballage Packaging	1160 × 235 × 240 mm 45.66 × 9.25 × 9.44 in
IP IP	20

Tension Voltage	110V
Classe Class	1
Watt Watt	17W
Source Source	INTEGRATED LED 2700K
Lumens Lumens output	1700 lm (valeur installée) 1700 lm (installed value)
Driver Driver	Driver fourni (180 x 60 x 35 mm) Dimmable TRIAC 500 mA / 32-56V / 28W Driver supplied (7 x 2.4 x 1.4 in) TRIAC dimmable 500 mA / 32-56V / 28W
Câble Wire	Longueur : 3 m Length : 118 in
Interrupteur Switch	NA
Fiches Plug	NA



ORG US ph 1600

de Sebastian Summa

FICHE TECHNIQUE TECHNICAL SHEET



SUSPENSION

PENDANT LAMP

Matériaux Material	Aluminium, verre, acrylique Aluminum, glass, acrylic
Poids Weight	5 Kg
Emballage Packaging	1460 x 235 x 240 mm 57.48 x 9.25 x 9.44 in
IP IP	20

Tension Voltage	110V
Classe Class	1
Watt Watt	22W
Source Source	INTEGRATED LED 2700K
Lumens Lumens output	2200 lm (valeur installée) 2200 lm (installed value)
Driver Driver	Driver fourni (122 x 42,8 x 24 mm) Dimmable TRIAC 500 mA / 38-50V / 25W Driver supplied (5x2x0.9 in) TRIAC dimmable 500 mA / 38-50V / 25W
Câble Wire	Longueur : 3 m Length : 118 in
Interrupteur Switch	NA
Fiches Plug	NA