

IN THE SUN its pendant (us)

by Dominique Perrault
& Gaëlle Lauriot-Prévost

INSTRUCTION & USE SHEET

IN THE BOX



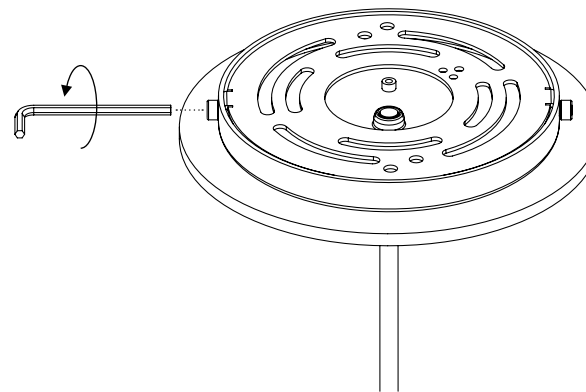
× 1

WARNING

The safety of this fixture is only guaranteed if the instructions have been observed. — Always disconnect power before working on fixture. — Fixture must not be installed in any position other than that shown in instructions. — Assembly and maintenance of fixture must be performed carefully so as not to damage components. — Replacement bulbs must be of same type and wattage as specified in instructions. — Metal surfaces, glass or other parts of fixture may be cleaned with a soft damp cloth and mild detergent.— DCW ÉDITIONS will replace merchandise with manufacturing defects only if it is returned to the retailer from which it was purchased. — If you are unsure about your wiring, please consult a qualified electrician. The damaged cables should be changed by manufacturer or distributor or qualified electrician.

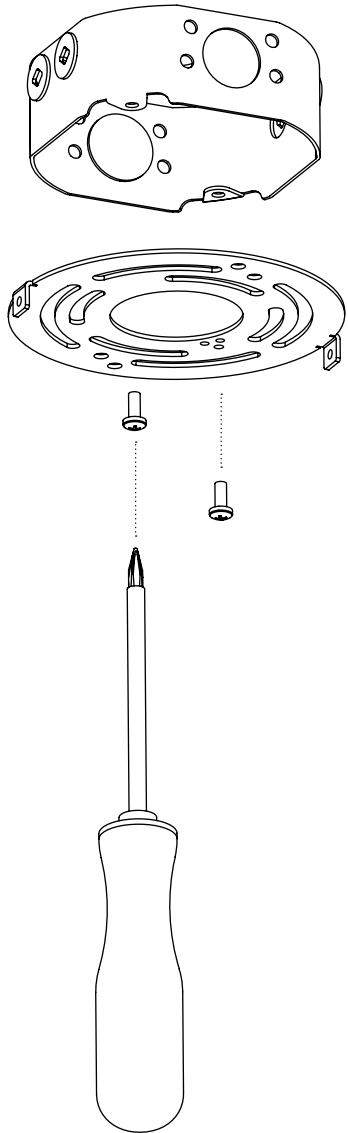
STEP 1

Disassemble the ceiling mount and cover



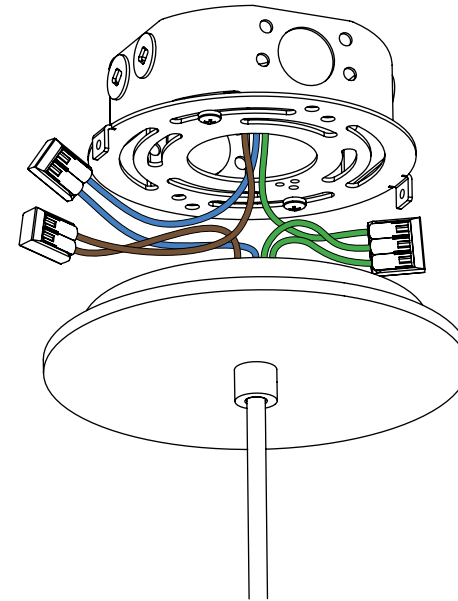
STEP 2

Fix the mount to the ceiling



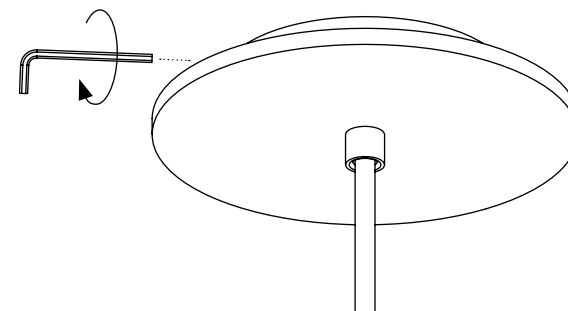
STEP 3

Adjust the length then connect the wires



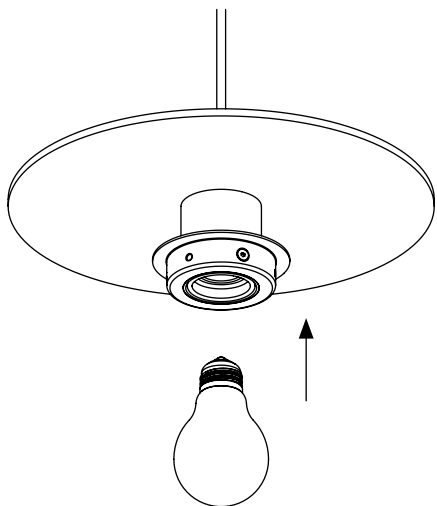
STEP 4

Fix the cover to the ceiling mount with provided screws



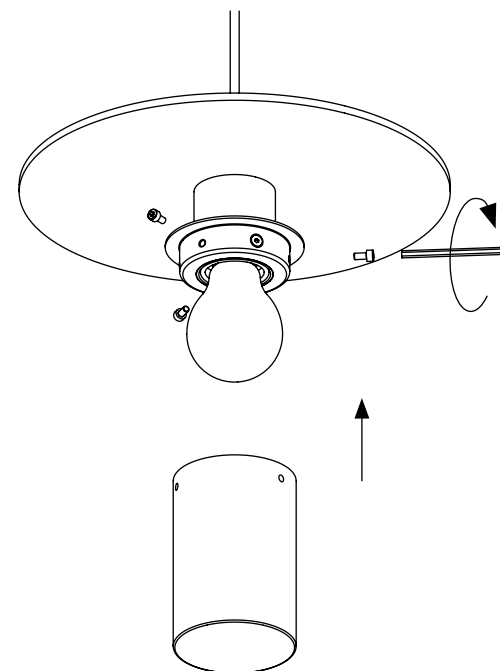
STEP 5

Place the appropriate bulb



STEP 6

Place the glass and fix it with screws



STEP 7

Place the mesh over the glass

