

BINY SPOT™

DCWéditions
PARIS



BULB

Wall lamp | *Applique*

Material : Steel | Aluminium
Matériaux : Acier | Aluminium

Net weight | Poids net : 0,510 kg

Packaging : 150 x 225 x 135 mm

**CLI - BULB GU10 - MAX 5W
240 V**

Bulb not included | *Ampoule non fournie*
Dimmable (with dimmable
bulb) | *Dimmable (avec ampoule
dimmable)*

Without or with stick | *Avec ou
sans stick*

IP20

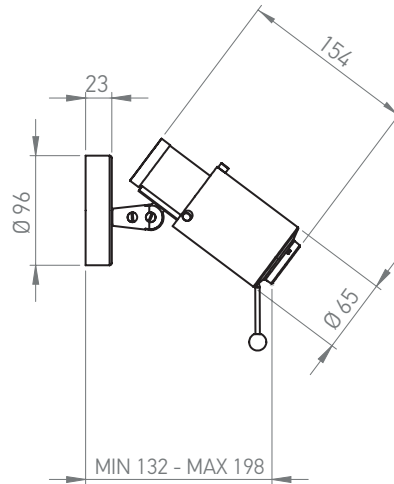
BL : Mat black | *Noir mat*
NK : Polished nickel | *Nickel poli*
GOL : Gold anodized | *Or anodisé*
NS : Non Stick | *Sans stick*

DCWéditions

71 rue de la Fontaine au Roi
75011 Paris - France
+33 (0)1 40 21 37 60
sales@dcwe.fr

TECHNICAL SHEET / FICHE TECHNIQUE

BINY SPOT



FINISHES / FINITIONS

**Mat black body
Corps Noir mat**

With stick
Avec stick



BINY SPOT
BULB-BL-BL



BINY SPOT
BULB-BL-NK



BINY SPOT
BULB-BL-GOL

**Mat black body
Corps Noir mat**

Without stick
Sans stick



BINY SPOT
BULB-BL-BL-NS



BINY SPOT
BULB-BL-NK-NS



BINY SPOT
BULB-BL-GOL-NS

**Polished nickel body
Corps nickel poli**

With stick
Avec stick



BINY SPOT
BULB-NK-BL



BINY SPOT
BULB-NK-NK



BINY SPOT
BULB-NK-GOL

**Polished nickel body
Corps nickel poli**

Without stick
Sans stick



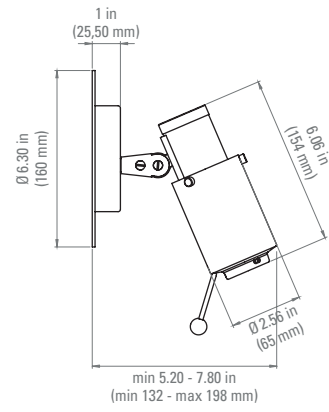
BINY SPOT
BULB-NK-BL-NS



BINY SPOT
BULB-NK-NK-NS



BINY SPOT
BULB-NK-GOL-NS

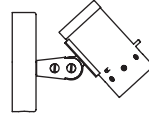


BINY SPOT US LED

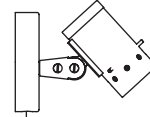
de Jacques Biny

BASE LED | LED BASE

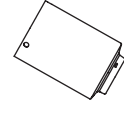
OPTIQUE | LENS



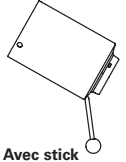
Sans interrupteur
without switch



Avec interrupteur
with switch (SW)



Sans stick
without stick (NS)



Avec stick
with stick

FICHE TECHNIQUE TECHNICAL SHEET



APPLIQUE

WALL LAMP

Matériaux Acier, aluminium
Material Steel, aluminium

Poids 1,2kg
Weight

Embase Ø 160 mm
Base Ø 6.30 in

Emballage 220 x 150 x 150 mm
Packaging 8.66 x 5.9 x 5.9 in

IP 20
IP

Tension 110V
Voltage

Classe 1
Class

Watt 6W
Watt

Source INTEGRATED LED 2700K
Source Non dimmable

Lumens 62,399 lm
Lumens output

Driver Driver fourni (62x33x17 mm)
500 mA / 3-10,5V / 1,5-5,2W
Driver supplied (2.4x1.3x0.7 in)
500 mA / 3-10,5V / 1,5-5,2W

Câble NA
Wire

Interrupteur Sur la base (option)
Switch On the base (option)

Fiches NA
Plug

BASE BASE



Black

BL



Polished Nickel

NK

TUBE TUBE



Black

BL



Polished Nickel

NK



Gold Anodized

GL

BINY SPOT US LED

de Jacques Biny

FICHE TECHNIQUE TECHNICAL SHEET

DONNÉES PHOTOMÉTRIQUES PHOTOMETRIC DATA

Flux 62,399lm
Tc 2918K
CRI 77,3

