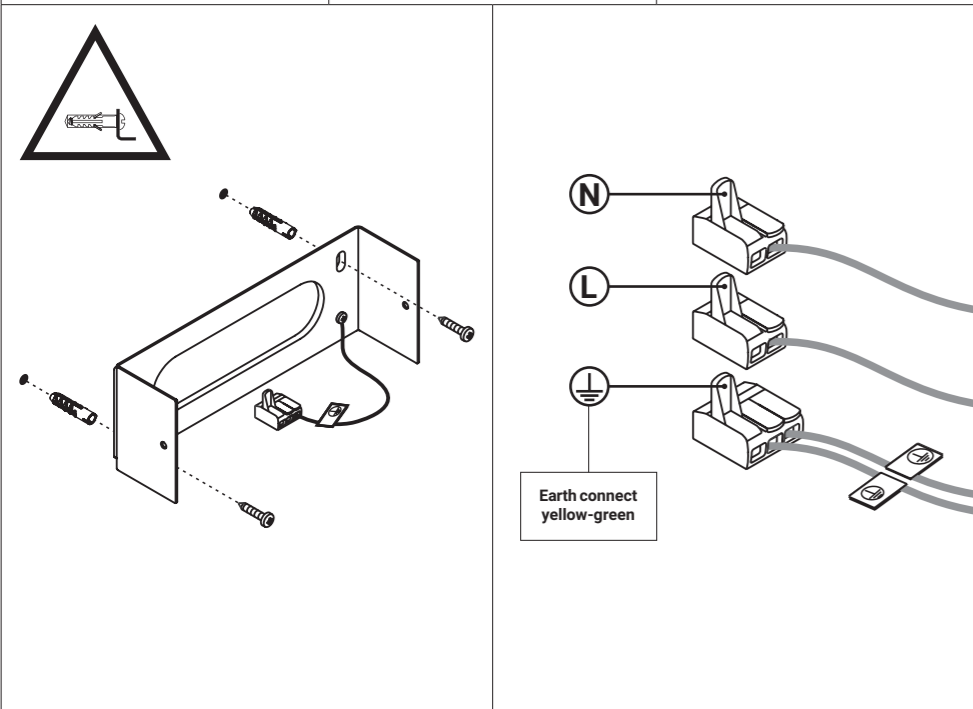
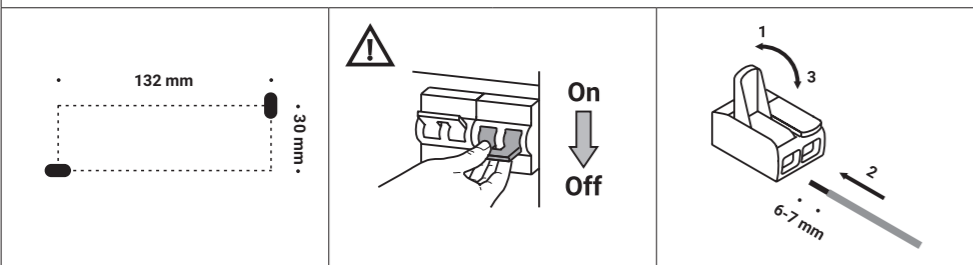
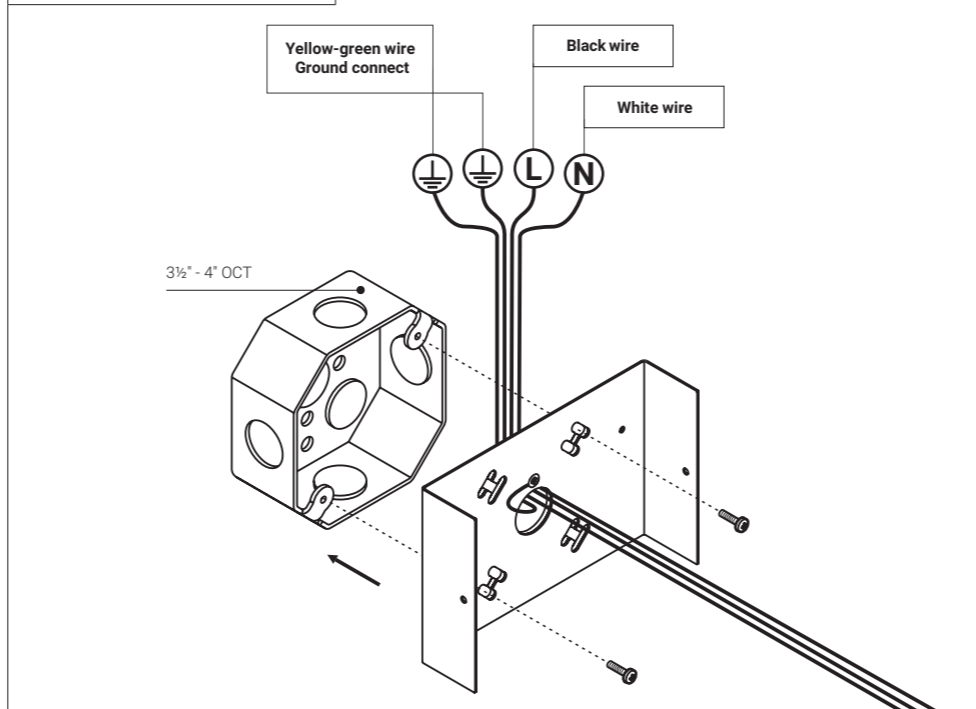
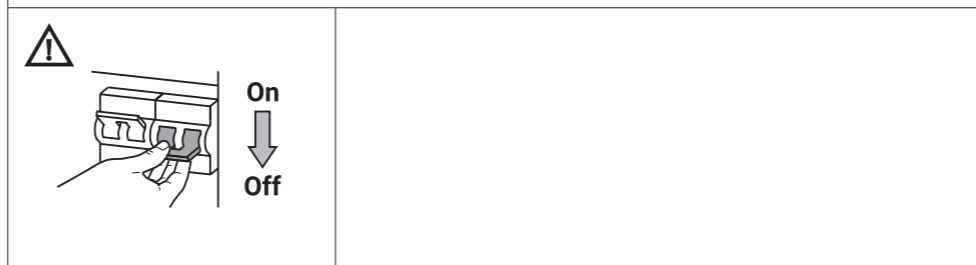




EU Version 1A



US Version 1B



Example connection (optional) for dimming 1-10V - PUSH 2

