

MODULO GRID PENDANT

Designed by Federico Peri for CTO Lighting, MODULO is a collection of chandelier, pendant and wall lights distinguished by its modular form, arranged in linear configurations, creating versatile lighting sculptures.

FINISH

satin brass with smoked kiln cast glass and matt opal glass shades
MODCH11SBSKMO

bronze with smoked kiln cast glass and matt opal glass shades
MODCH11BZSKMO

SUSPENSION

drop rod with ceiling box

please specify the required overall drop from the ceiling to the bottom of the fitting

BULBS

integrated LED - trailing edge dimmable - 49.5w - 2700k

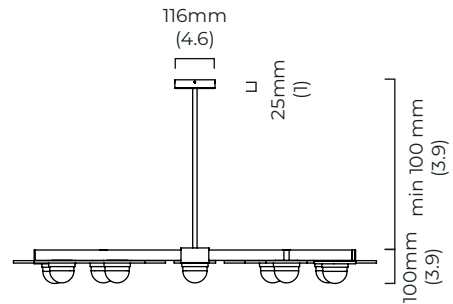
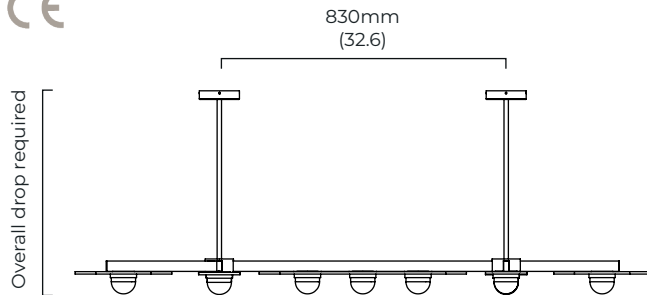
DESIGNER

Federico Peri

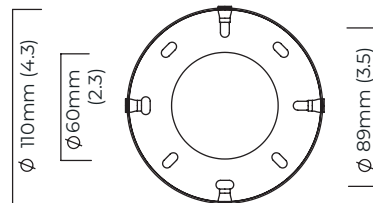
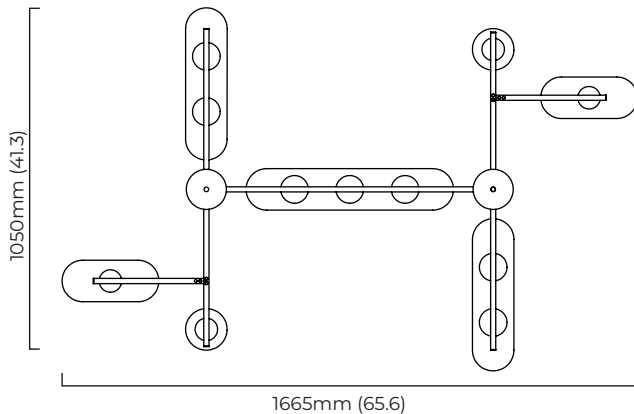
WEIGHT

18kg (39.7lbs)

CERTIFICATION



ceiling rose back plate



	Input Voltage	As Standard	On Request
Phase Cut (rotary dimmer)	230	✓	
0/1-10V230	230	✗	✗
DALi	230	✗	✓
Phase Cut (rotary dimmer)	120	✓	
0/1-10V120	120	✗	✗
DALi	120	✗	✗