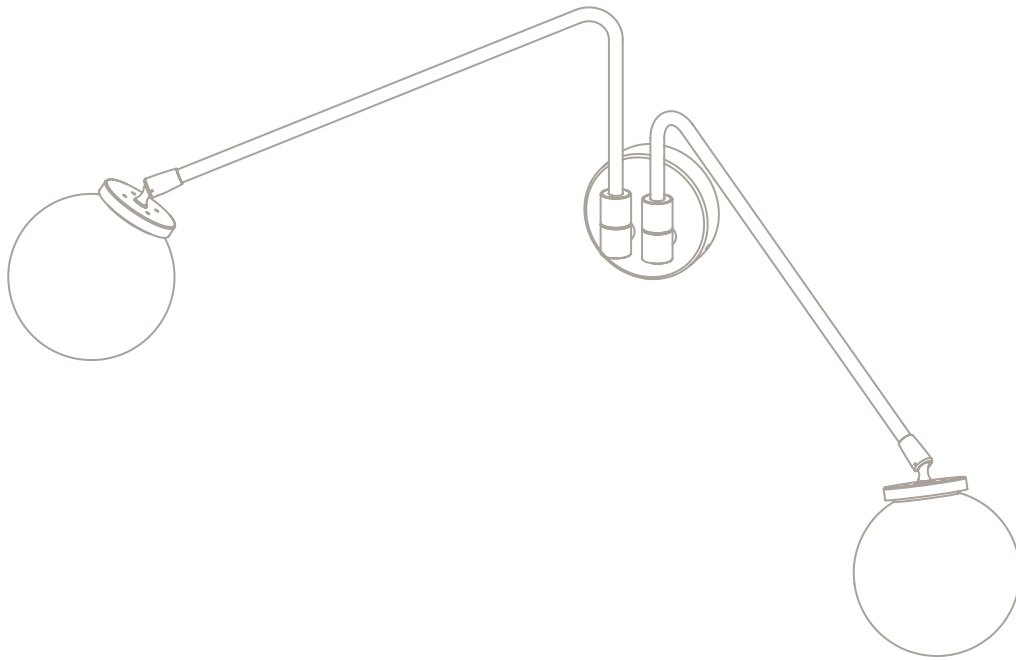


ARRAY TWIN OPAL WALL

Installation Guide



!

Please handle with care and wear gloves at all times during assembly and installation to avoid damaging components.

TECHNICAL

Bulb Holder
240v - 2 x G9
120v - 2 x G9
(bulbs not supplied)

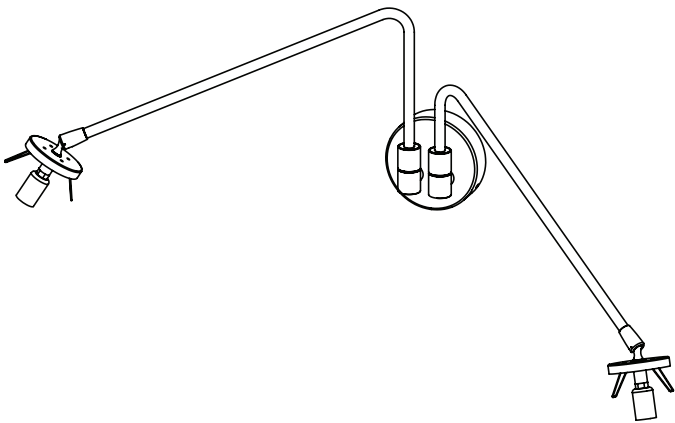
Wattage
25w max halogen
(or 2.3w LED 2700k)

Weight
3kg (6.6lbs)

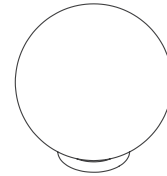
PARTS & COMPONENTS

- A. Array twin body with wall mounting plate
- B. 3 x Opal glass shades

A.



B.

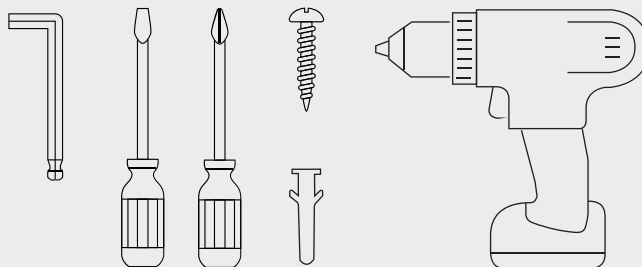


- All nuts and bolts required for the installation will be included in the delivery.



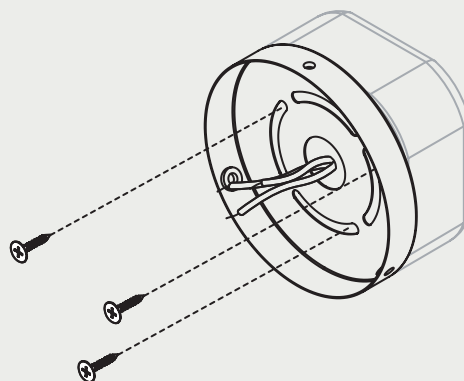
BEFORE INSTALLATION

- Check that you have all components before starting the installation.
 - Installation must be carried out by a qualified electrician.
 - A minimum of two people is required to install a pendant light.
- Check that the ceiling or wall fixings are suitable and strong enough to support the weight of the light fixture.
 - You will need the below specific tools for a successful installation.



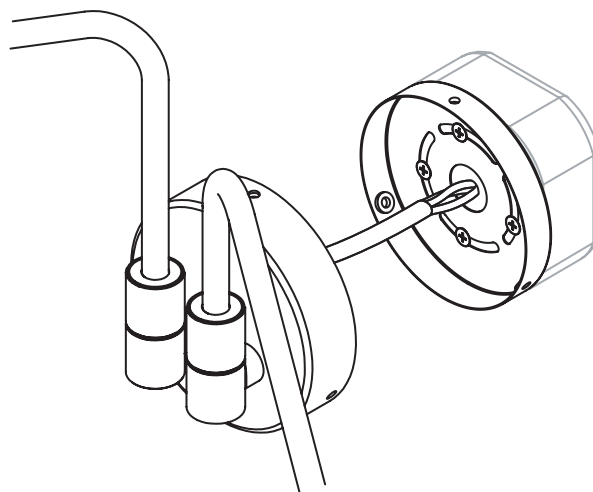
1. Remove the wall mounting plate from the Array body by removing the three screws on the top and sides of the fitting.

Attach the wall plate to the wall using screws suitable for the surface that you are mounting to (not supplied), ensuring that the electric cable is centred with the hole in the middle of the wall plate.

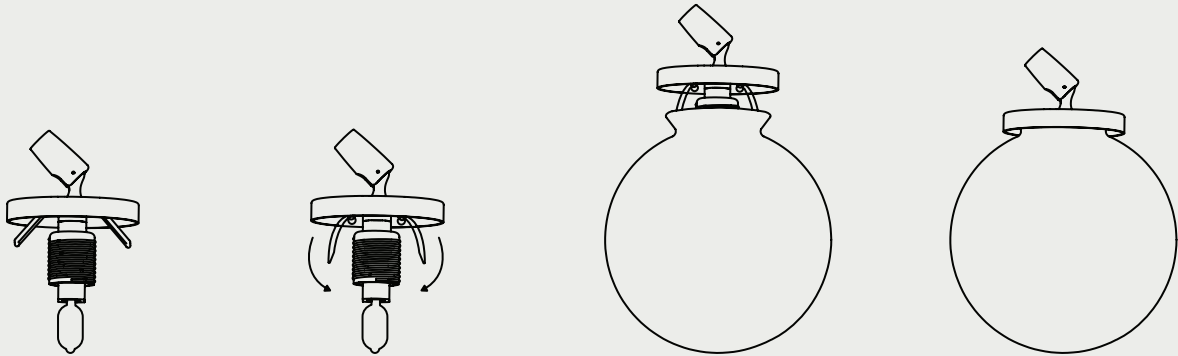


2. Raise the fitting towards the mounted wall plate and make the electrical connection.

Place the connected fitting over the mounted wall plate and secure with the previously removed screws on the top and sides.



3. Fit the bulbs and glass shades to the fitting. Pinch the sprung clips inwards and hold, slowly feeding the opal glass shade over the sprung clips. Do not release the opal glass shades too quickly.



MAINTENANCE

Cleaning

Dust using a dry lint-free cloth weekly or as required

Repairs

Contact
CTO Lighting

Warranty

Please visit
[www.ctolighting.co.uk/
pages/f-a-q](http://www.ctolighting.co.uk/pages/f-a-q)
for CTO warranty policy

Certification

CE cUL US
E492308