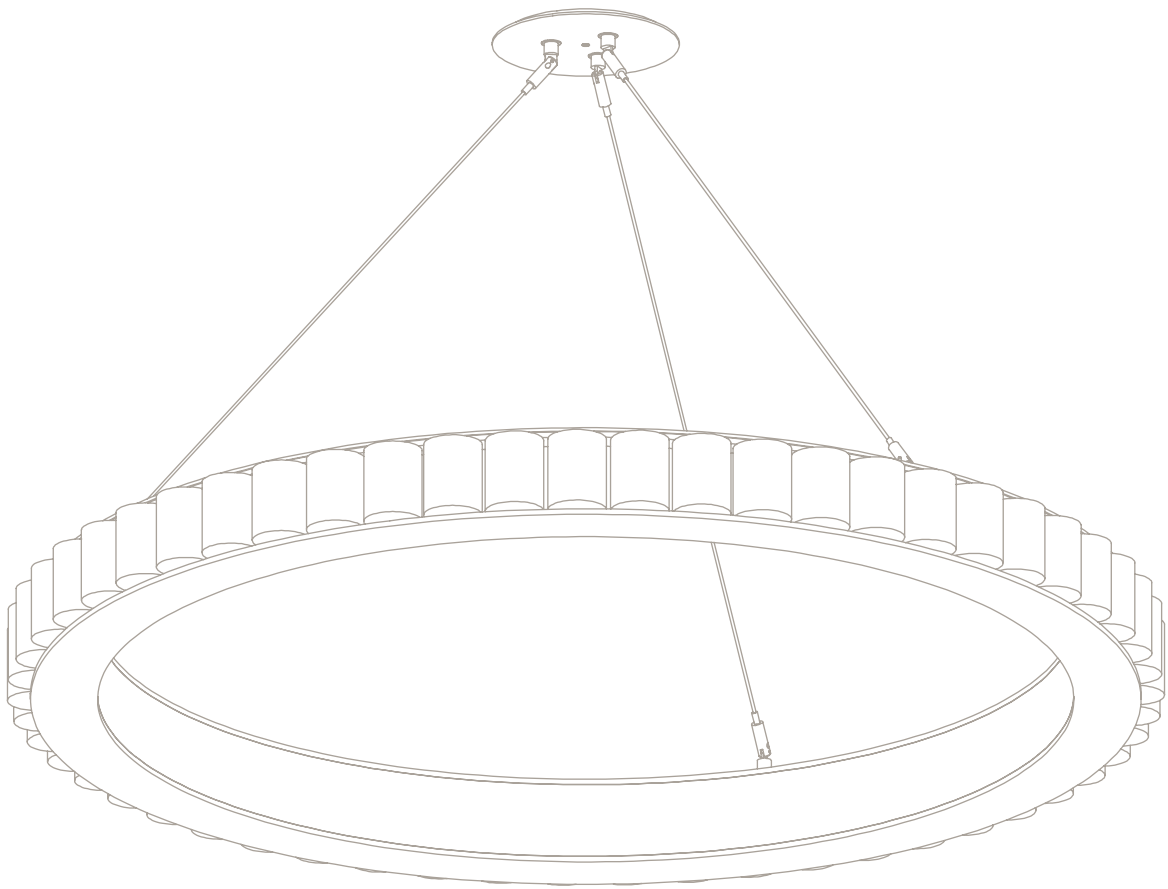


AVALON LARGE PENDANT

Installation Guide



!

Please handle with care and wear gloves at all times during Assembly and installation to avoid damaging components.

TECHNICAL

Bulb Holder
Integrated LED
dimnable

Wattage
67w (2700k)

Weight
30kg (66.1lbs)

PARTS & COMPONENTS

A - Flush ceiling plate installation

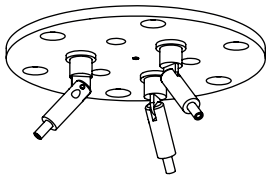
- A.1 - 1 x Ceiling mounting plate
- A.2 - 1 x Ceiling plate cover plate & 1 x fixing screw

B - Deep Ceiling rose installation

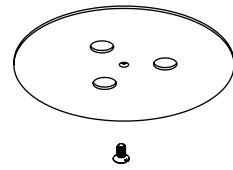
- B.1 - 1 x Ceiling mounting plate
- B.2 - 1 x Avalon ceiling rose & 6 x fixing screws

- C - 1 x Avalon large body & top cover plate
- D - 57 x Alabaster stones & fixing screws
- E - 1 x 24V LED driver
- F - 3 x Suspension cables

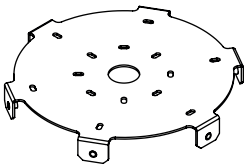
A.1



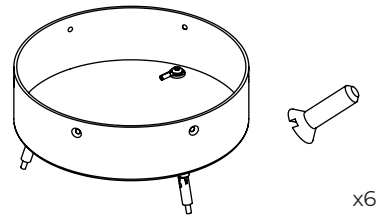
A.2



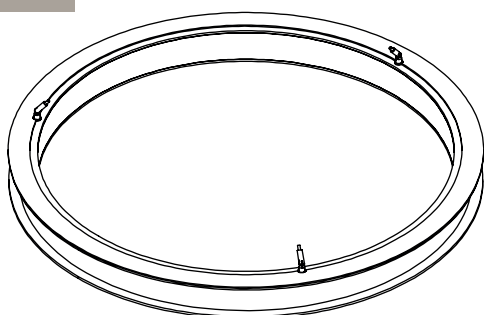
B.1



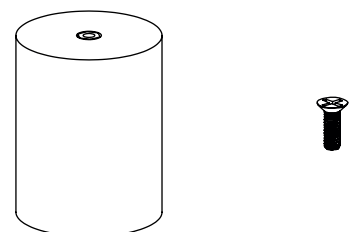
B.2



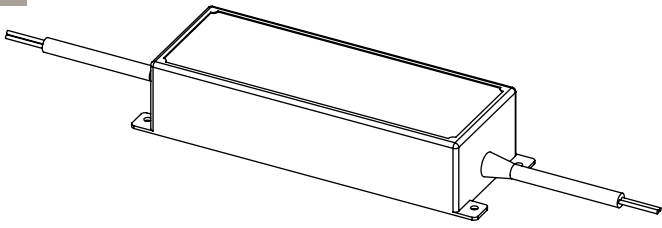
C.



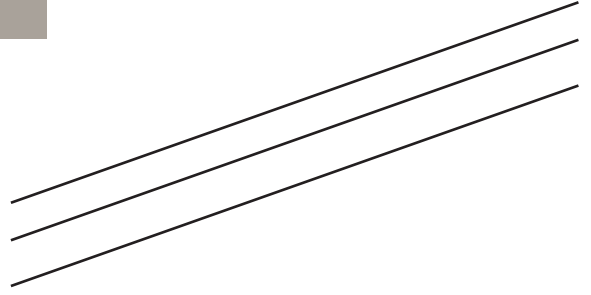
D.



E.



F.

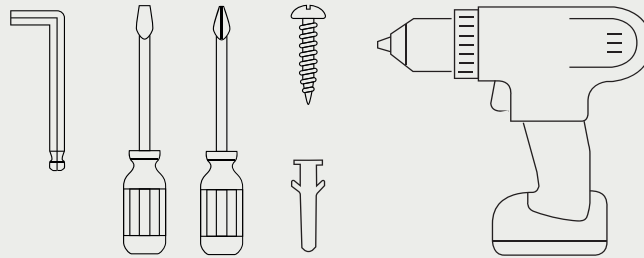


- All nuts and bolts required for assembling the light are included.
- Parts C,D,E & F are generic for both versions of the light fitting



BEFORE INSTALLATION

- Check that you have all components before starting the installation.
 - Installation must be carried out by a qualified electrician.
 - A minimum of two people is required to install a pendant light.
- Check that the ceiling or wall fixings are suitable and strong enough to support the weight of the light fixture.
 - You will need these specific tools for a successful installation.

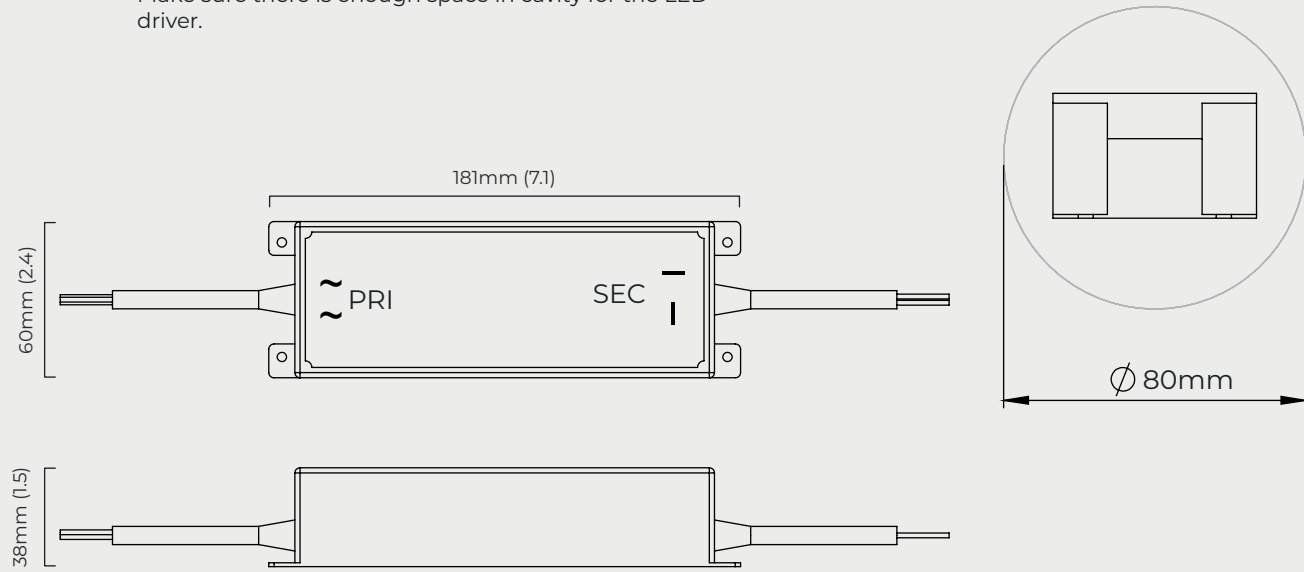


PLEASE NOTE

The pendant cannot be rotated once mounted to the ceiling.
Ensure that it is installed in the desired position.

A - Flush ceiling plate installation

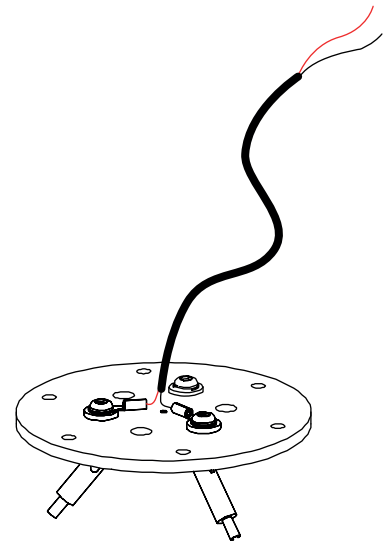
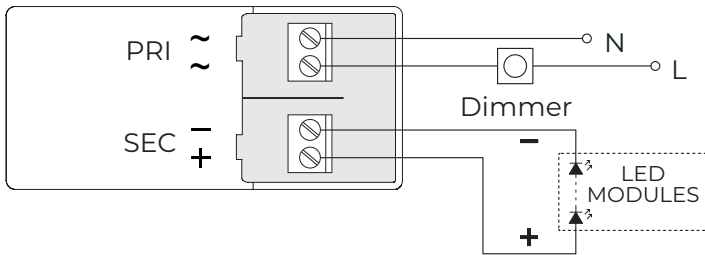
1. Cut 80mm hole for driver, in centre of fitting location. Make sure there is enough space in cavity for the LED driver.



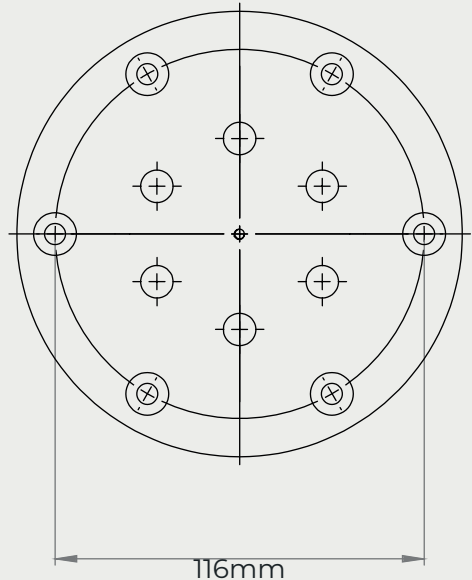
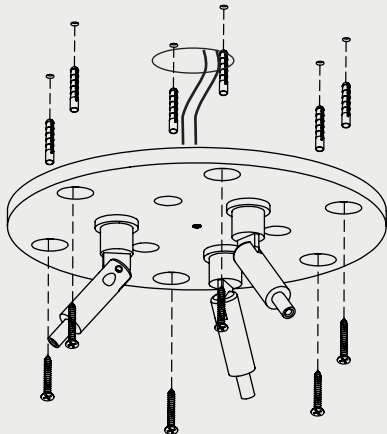
2. Connect LED driver to mains cable and to LED cables on the ceiling rose fixing plate.

Dimmer is optional. Please note, use trailing edge dimmer switch only.

RED = Positive (+)
Black = Negative (-)



3. 230V Mark out fixing hole, and use suitable fixings for the fittings weight. x6 (not supplied).



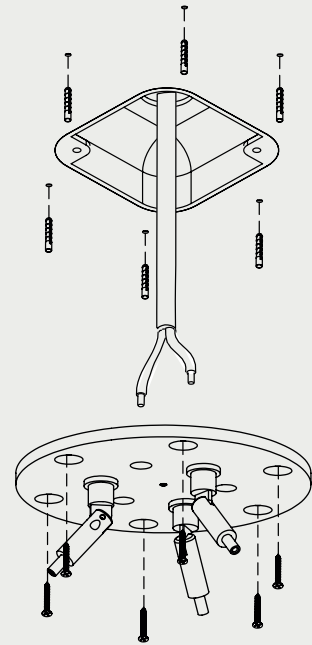
3. US

120V

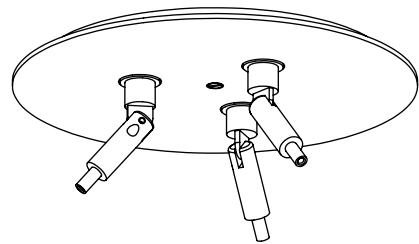
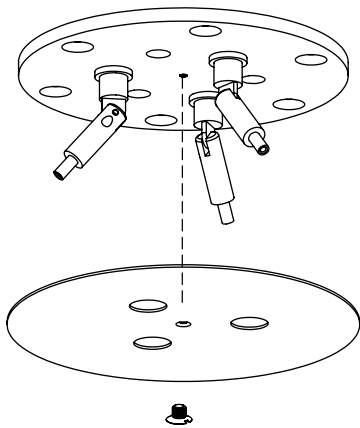
Fix the mounting plate over the junctionbox.

Ensure that suitable screws are being used for the surface you are mounting to x6 (not supplied).

Note: The drivers do not fit into the junction box. Please make sure you locate the drivers into the cavity.



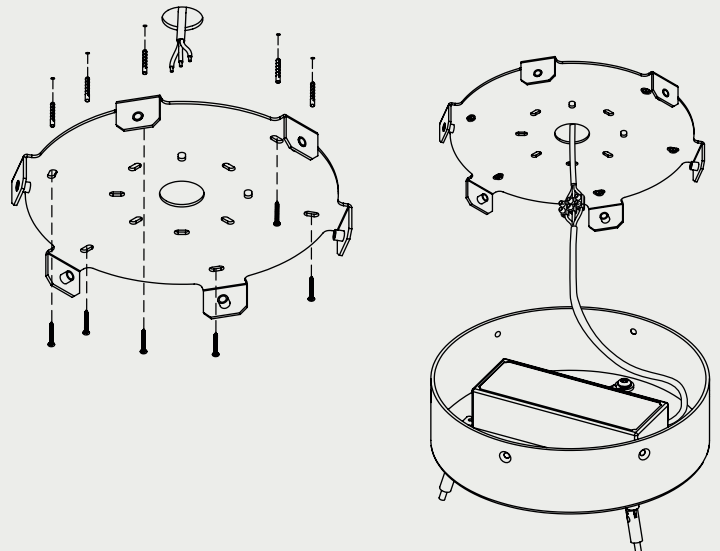
4. Attach to ceiling and install cover plate, with M3 screw.



B - Deep Ceiling rose installation

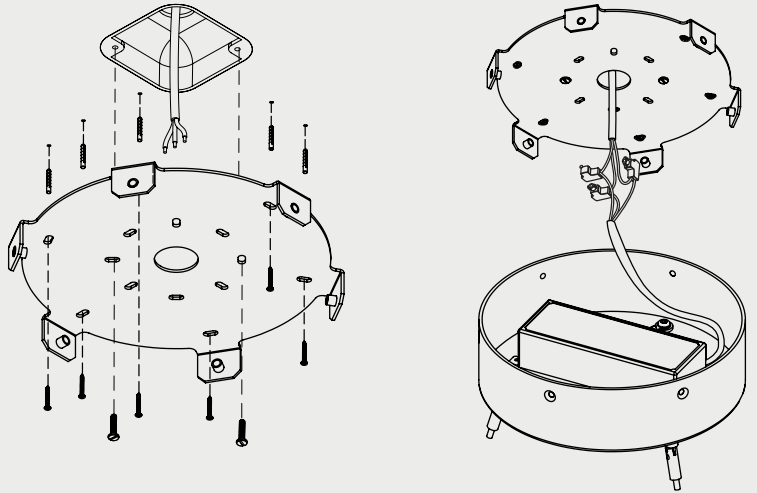
1. 240V

- A. Securely fix the mounting plate to the ceiling in the correct position using fixings suitable for the surface you are mounting to (not supplied).
- B. Raise the ceiling rose and make the electrical connections inside the ceiling rose cover ensuring all wires are colour matched.

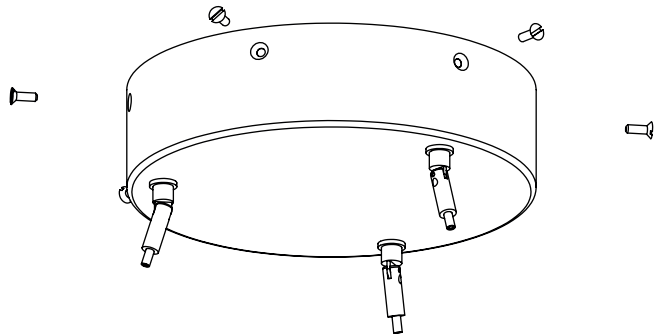


2. 120V

- US**
- Fix the mounting plate to the junction box using suitable screws (not supplied).
 - Raise the pendant and make the electrical connections inside the junction box ensuring all wires are colour matched and the pendant is earthed correctly.



- Bring the ceiling rose cover up to the mounted plate and secure with the six screws.

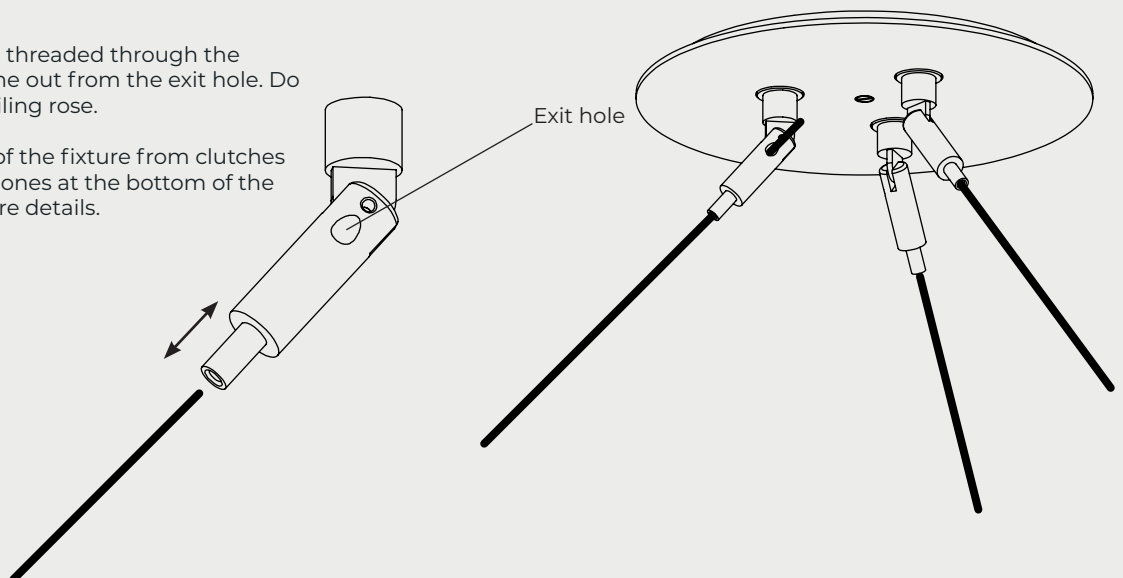


C - Light fixture installation

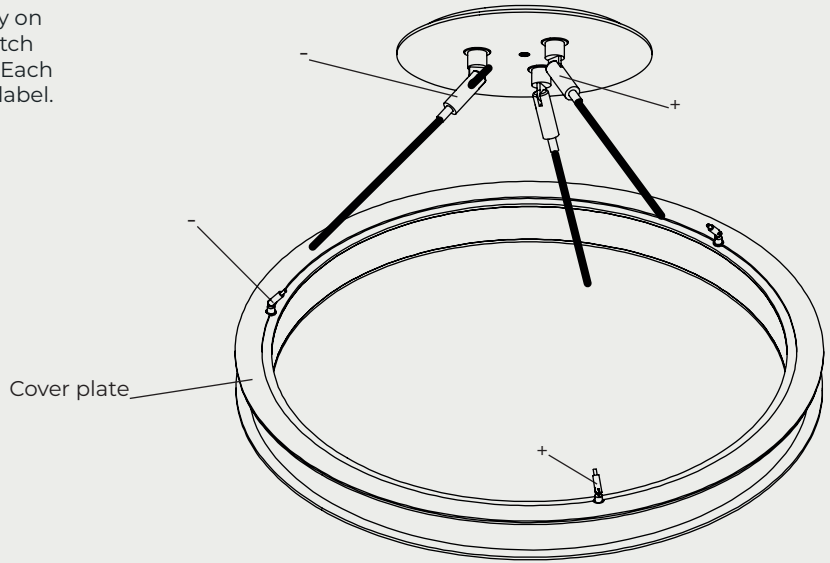
- Attached suspension cables to clutches. Press in top part of toggle to release.

Make sure cable has been threaded through the entire clutch, and has come out from the exit hole. Do not let cable touch the ceiling rose.

Do not adjust the height of the fixture from clutches on the top. Only from the ones at the bottom of the fitting. See stage 5 for more details.

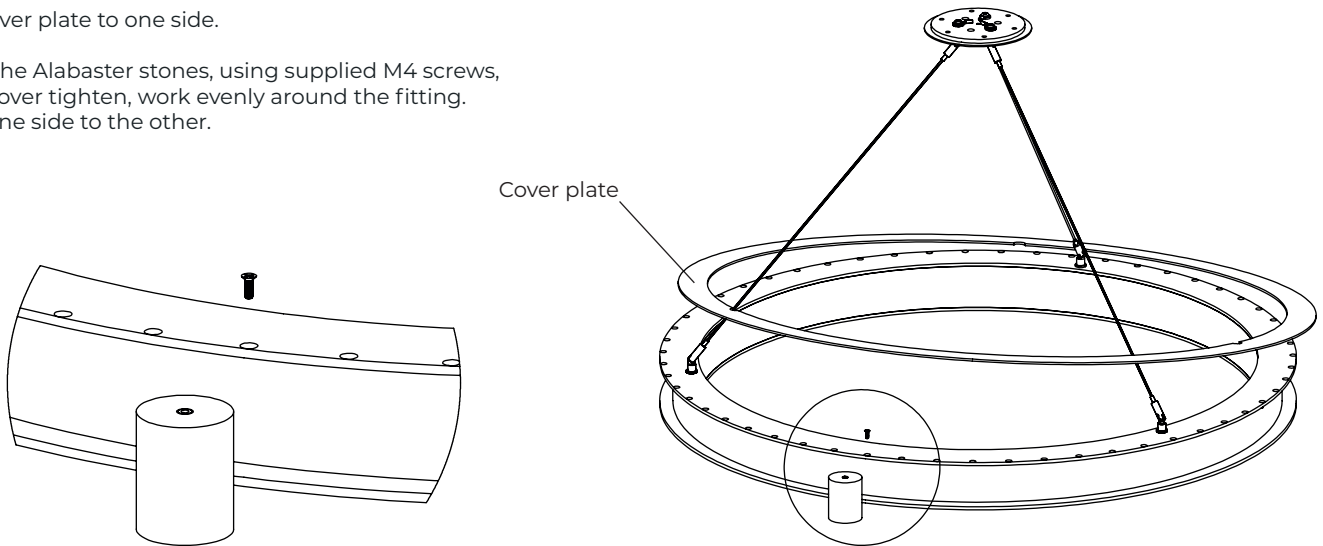


2. Install fitting body, with the cover plate already on top in place, make sure to align positive (+) clutch to positive clutch and negative (-) to negative. Each clutch will be marked with a small removable label.

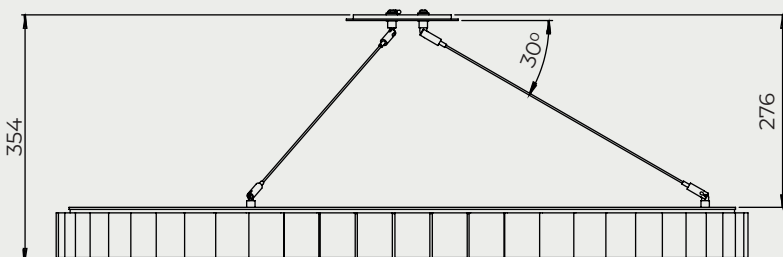
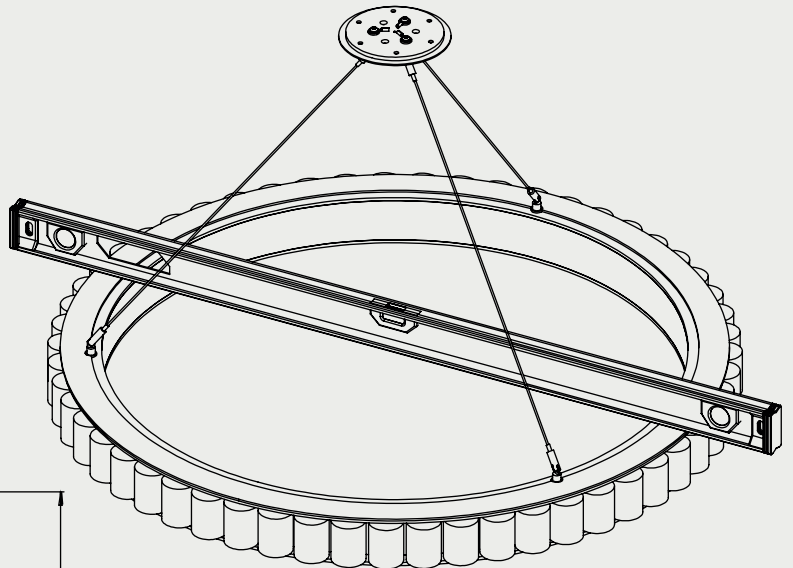


3. Rest cover plate to one side.

Install the Alabaster stones, using supplied M4 screws, do not over tighten, work evenly around the fitting. From one side to the other.



4. Set to correct desired height, make sure fitting is level using a spirit level. Critical, do not let fitting hang unbalanced. Make note of minimum height of fitting.

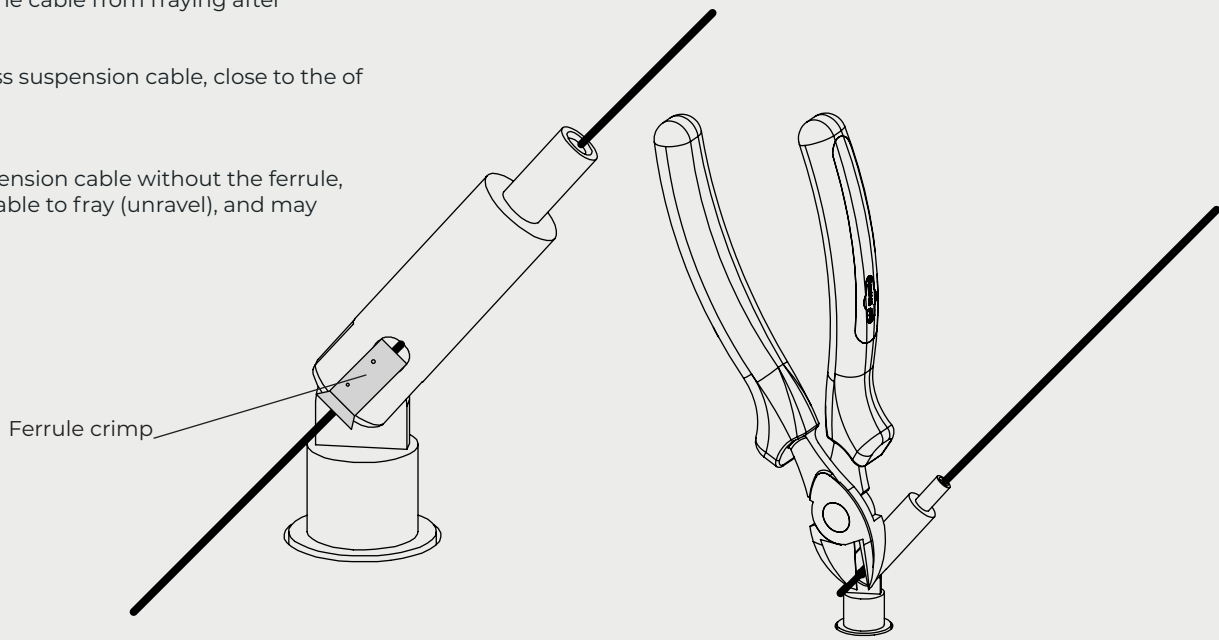


5. Once the height has been set. Place a Bootlace Ferrule crimp up too the bottom of the clutch cable exit. Crimp to stop the cable from fraying after cutting.

Snip away any excess suspension cable, close to the of the ferrule x 3.

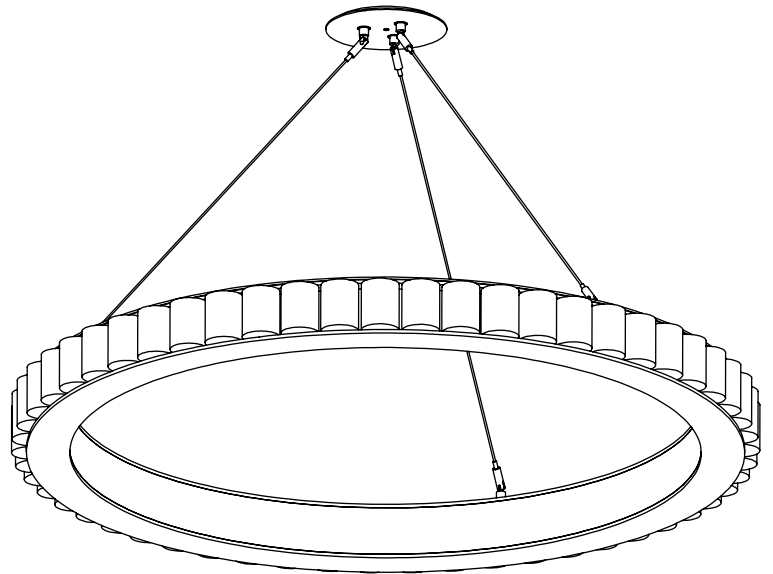
IMPORTANT

Do not cut the suspension cable without the ferrule, this will cause the cable to fray (unravel), and may cause a fault.



6. Install cover plate, and remove power marking stickers.

Restore power to the fitting.



MAINTENANCE

Cleaning

Use a soft dry cloth to clean. If any marks remain clean the area using a damp soft cloth and dry afterwards with a soft cloth

Repairs

Contact
CTO Lighting

Warranty

Please visit
www.ctolighting/warranty
for CTO warranty policy

Certification

