

# Ovale

Contardi Studio



TA SMALL



TA



FL



SPECIFICHE PRODOTTO / PRODUCT SPECIFICS

p.2

OVALE TA SMALL

p.3

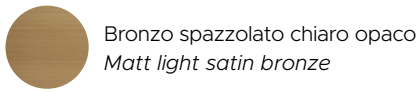
OVALE TA

p.4

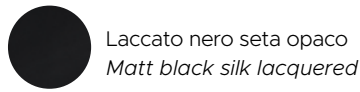
OVALE FL

p.5

**STRUTTURA / FRAME**



Bronzo spazzolato chiaro opaco  
Matt light satin bronze

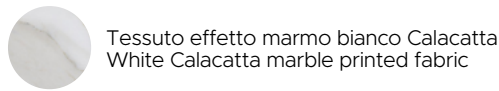


Laccato nero seta opaco  
Matt black silk lacquered

**PARALUME / SHADE**



Cotone bianco  
White cotton



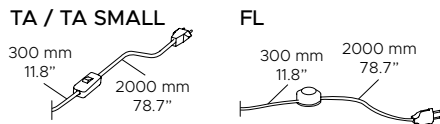
Tessuto effetto marmo bianco Calacatta  
White Calacatta marble printed fabric

**CAVO - INTERRUTTORE / CABLE - SWITCH**

Tessuto nero  
Black fabric

**TA / TA SMALL / FL**  
Interruttore On-Off  
On-Off switch

L: 300 + 2000 mm  
L: 11.8 + 78.7"

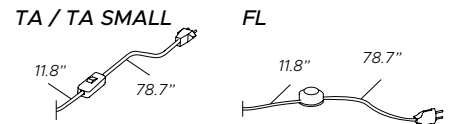


**USA / CABLE - SWITCH**

Black fabric

**TA / TA SMALL / FL**  
On-Off switch

L: 11.8 + 78.7"



**FONTE LUMINOSA / LIGHT SOURCE**

**220-240V**



**E27 LED**  
Utilizzabili lampadine LED fino alla massima potenza disponibile sul mercato

You can use LED light bulbs of the highest available wattage

1 X E27  
Lampadina LED  
LED light bulb

**DIMMERABILE / DIMMABLE**

Disponibile versione dimmerabile con dimmer per LED su cavo compatibile solo con lampadine LED dimmerabili  
Available, on demand, dimmer switch on the cable (to use dimmable LED light bulbs only)



Ovale

**110V**



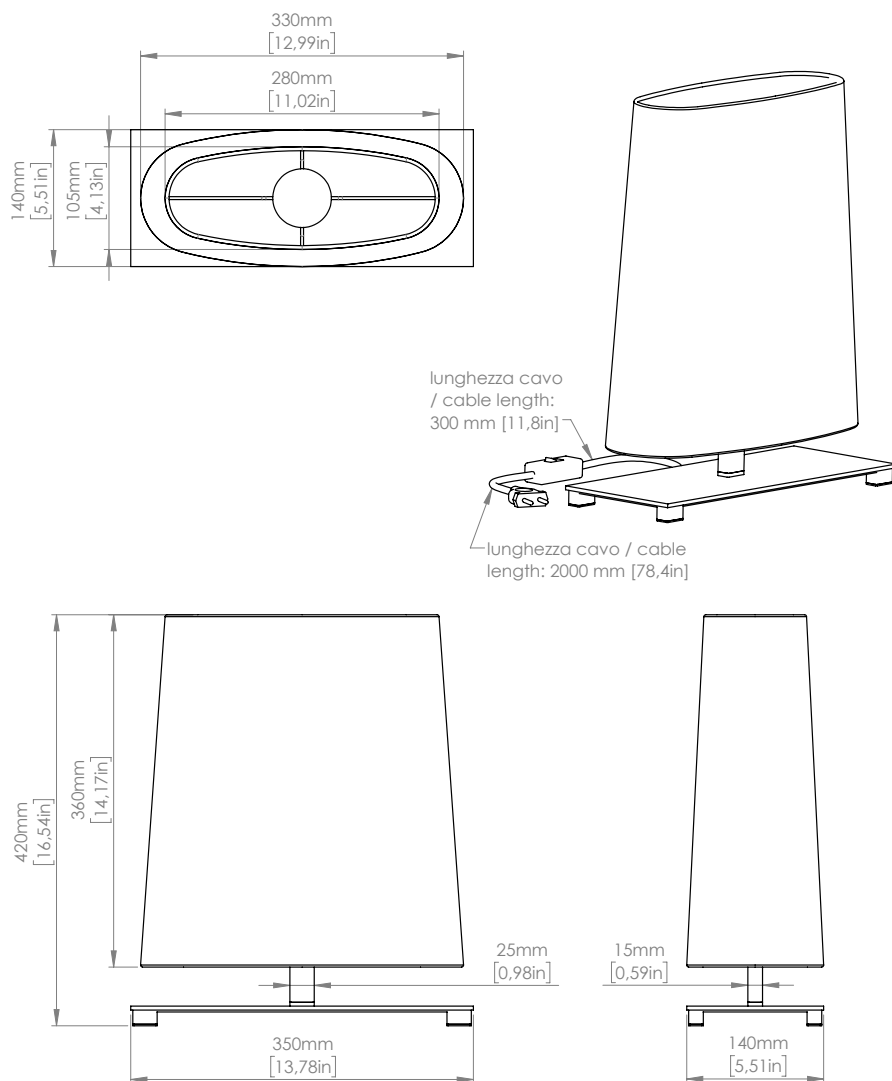
**E26 LED**  
You can use LED light bulbs of the highest available wattage

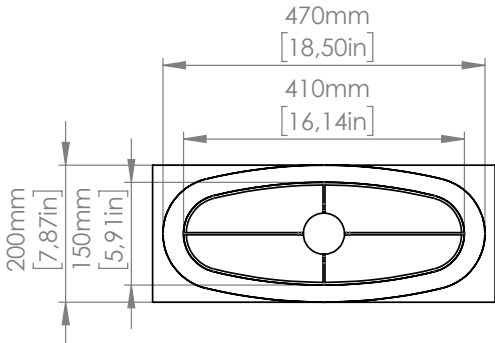
1 X E26 LED  
LED light bulb

**DIMMABLE**

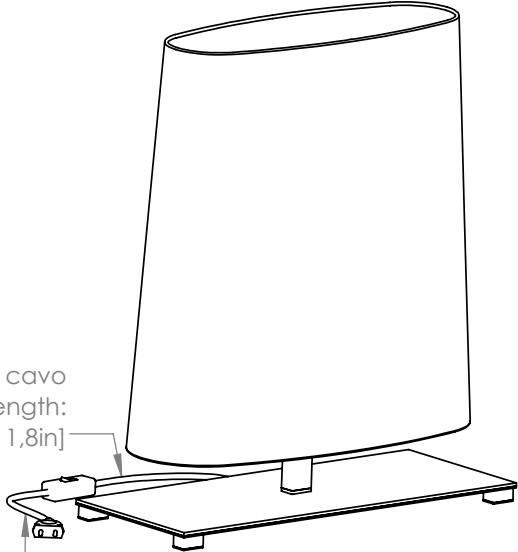
Available, on demand, dimmer switch on the cable (to use dimmable LED light bulbs only)



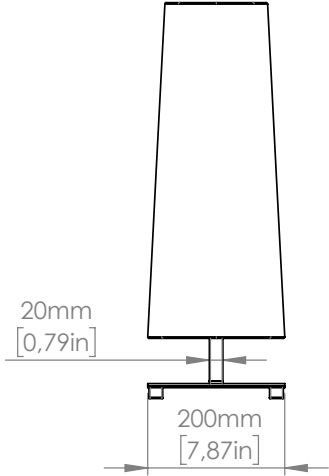
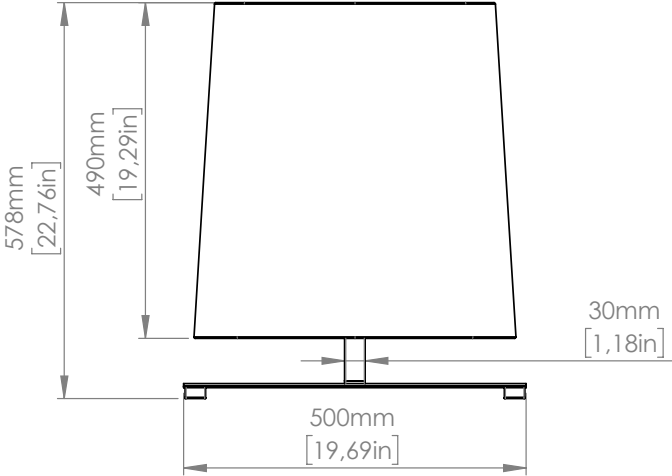


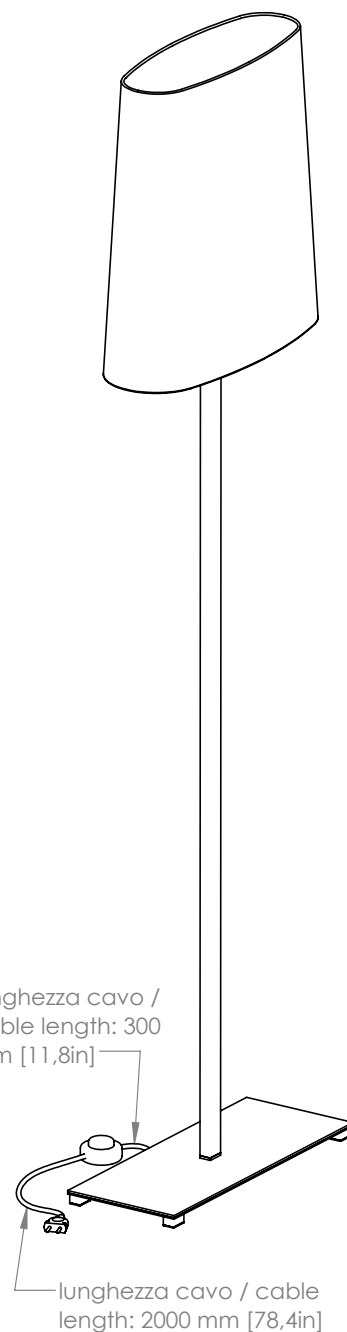
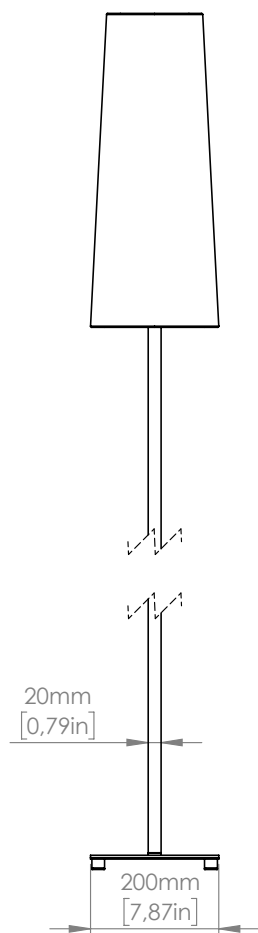
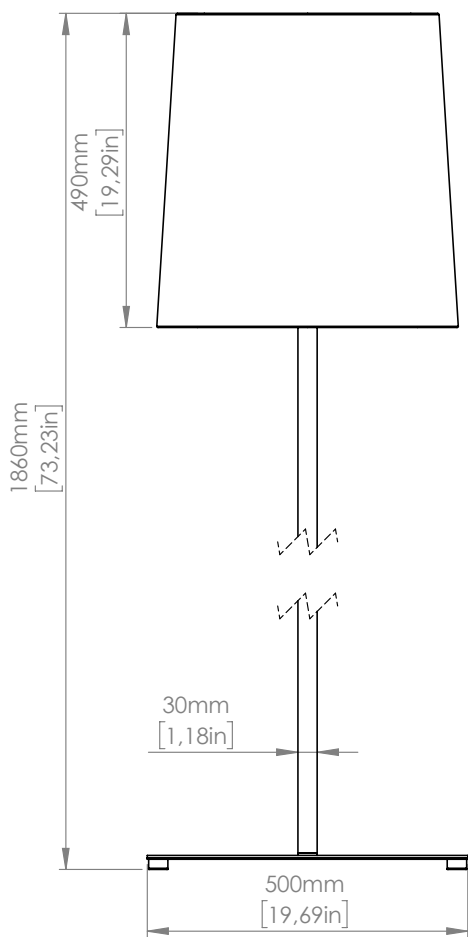
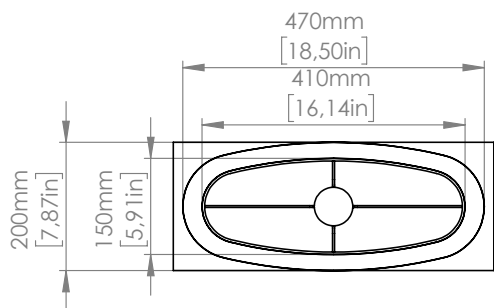


lunghezza cavo / cable length: 300 mm [11,8in]



lunghezza cavo / cable length: 2000 mm [78,4in]





Copyright and/or design rights subsist in this drawing. No part of this drawing may be reproduced in any material form (including photocopying or storing in any medium electronic means, whether or not intentionally and whether or not as part or a larger publication) without the express permission of the copyright owner, Contardi Lighting S.r.l.. Further and without prejudice to the above, this drawing and all information relating thereto is confidential, and shall not be communicated to a third party without the consent of Contardi lighting srl. Contardi lighting srl asserts all rights to be identified as the author of the work and otherwise.

WARNING: The doing of any unauthorised act in relation to a copyright work may result in both a civil claim for damages and criminal prosecution.

---

**CONTARDI LIGHTING Srl**

ITALY HEADQUARTERS

[www.contardi-italia.com](http://www.contardi-italia.com) / [sales@contardi-italia.it](mailto:sales@contardi-italia.it)

**CONTARDI USA Inc**

USA BRANCH

[www.contardi-usa.com](http://www.contardi-usa.com) / [sales@contardi-usa.com](mailto:sales@contardi-usa.com)

