

MIKADO

Massimiliano Raggi



Lantern da appoggio in due dimensioni. La struttura esterna in materiale composito viene finita in bronzo, attraverso le nuove tecniche di verniciatura con polveri di metallo: risulta impossibile dire se è metallo o un altro materiale, l'effetto è quello del bronzo spazzolato. La parte interna della lanterna è in metallo laccato oro, che crea un elegante contrasto. Il vetro rigato da cui esce la luce arricchisce il prodotto.

Collection of "jewel" lamps characterised by the combination of rectangular brass tubes and parallelepipeds in engraved crystal, with two types of workmanship. The apparently random combinations (hence the name Mikado) instead follow a precise and balanced scheme. The LED sources, inserted in the tubes in such a way as to illuminate enhancing the preciousness of the crystal, make Mikado a high-performance decorative product compatible with home automation systems.

SPECIFICHE PRODOTTO / PRODUCT SPECIFICS

MIKADO AP
MIKADO AP SOLO

p2

MIKADO SO
MIKADO SO DOUBLE
MIKADO SO SOLO

p4

p5

p6

p7

p8

MIKADO FL
MIKADO TA
MIKADO TA SOLO

p9

p10

p11



STRUTTURA / FRAME



Ottone satinato vintage
Vintage satin brass

DIFFUSORE / DIFFUSER

Cristallo trasparente
Transparent crystal



Finitura inciso
Engraved finish



Finitura prismatic
Prismatic finish



**CAVO - INTERRUOTTORE/ CABLE - SWITCH**

Tessuto nero

*Black fabric***TA / TA SOLO**

Pulsante a tre intensità sulla base

Three step push switch on the base

L: 200 cm

L: 78.7"

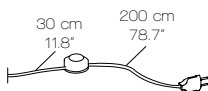
FL

Pulsante dimmerabile a piede

Foot dimmer switch

L: 30 + 200 cm

L: 11.8" + 78.7"

**FRONTE LUMINOSA / LIGHT SOURCE**

Custom LED

AP

4 X 5W

Lumen: 2.240

3.000 K; CRI: >90

AP SOLO / SO SOLO

2 X 5W

Lumen: 1.120

3.000 K; CRI: >90

SO / FL

10 X 5W

Lumen: 5.600

3.000 K; CRI: >90

SO DOUBLE

20 X 5W

Lumen: 11.200

3.000 K; CRI: >90

TA

6 X 5W

Lumen: 3.360

3.000 K; CRI: >90

TA SMALL

1 X 5W

Lumen: 500

3.000 K; CRI: >90

DIMMERABILE / DIMMABLE**TA / TA SOLO**

Dimmerabile a tre livelli di intensità (100 - 70 - 30%)

*Dimmable with three intensity levels (100 - 70 - 30%)***FL**

Dimmerabile a piede

*Dimmable with foot control***AP / SO**

Compatibili con sistemi di controllo remoto

Compatible with remote control systems

Mikado FL, TA e TA SOLO

USA / CABLE - SWITCH

Black cable

TA / TA SOLO

Three step push switch on the base

L: 78.7"

FL

Foot dimmer switch

L: 11.8" + 78.7"

**USA / LIGHT SOURCE**

Custom LED

AP

4 X 5W

Lumen: 2.240

3.000 K; CRI: >90

AP SOLO / SO SOLO

2 X 5W

Lumen: 1.120

3.000 K; CRI: >90

SO / FL

10 X 5W

Lumen: 5.600

3.000 K; CRI: >90

SO DOUBLE

20 X 5W

Lumen: 11.200

3.000 K; CRI: >90

TA

6 X 5W

Lumen: 3.360

3.000 K; CRI: >90

TA SMALL

1 X 5W

Lumen: 500

3.000 K; CRI: >90

DIMMABLE**TA / TA SOLO**

Dimmable with three intensity levels (100 - 70 - 30%)

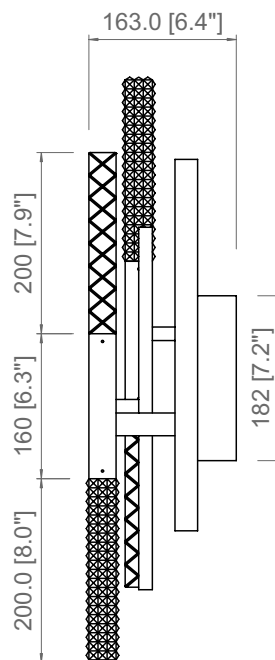
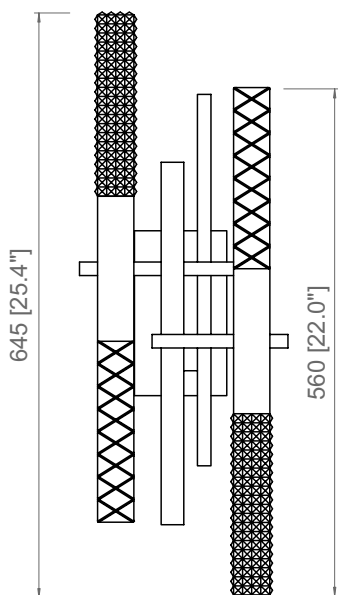
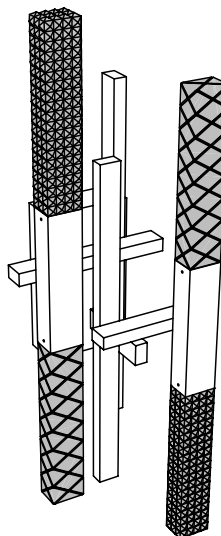
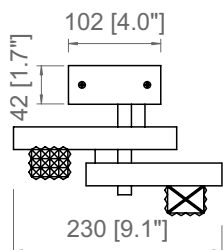
FL

Dimmable with foot control

AP / SO

Compatible with remote control systems





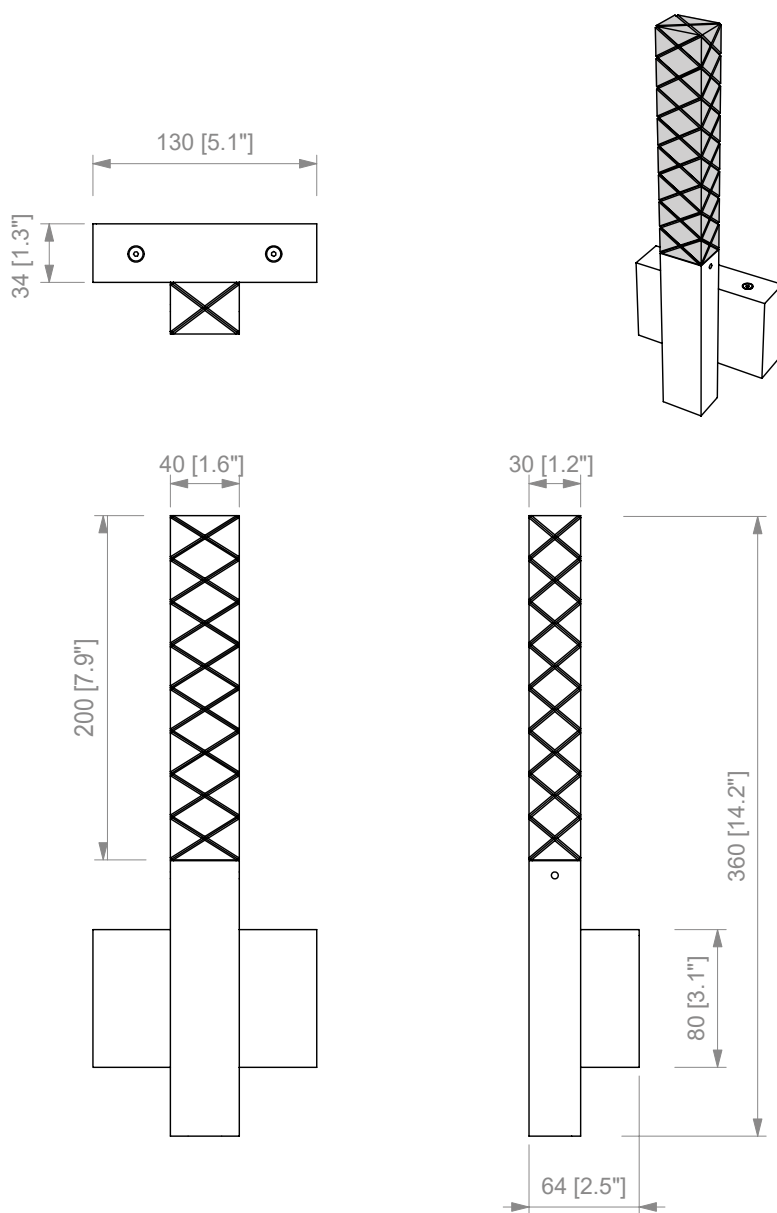
PRODOTTO / PRODUCT

BOX 1

PESO / WEIGHT
4 kg / 8.8 lbs

L: 52 cm / 20.4"
W: 52 cm / 20.4"
H: 32 cm / 12.6"

PESO / WEIGHT
5 kg / 11 lbs



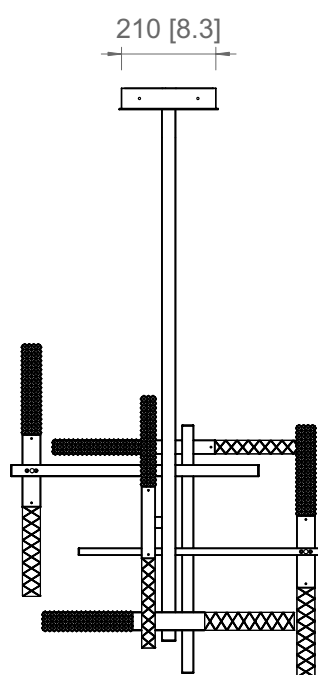
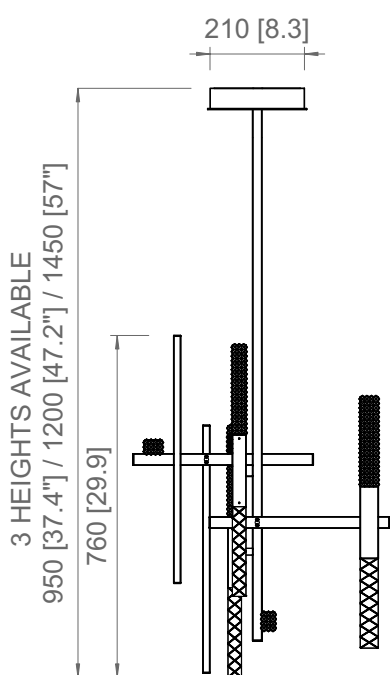
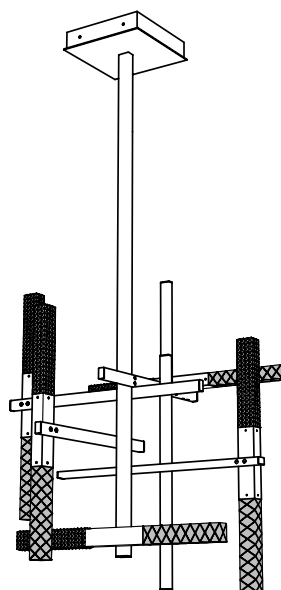
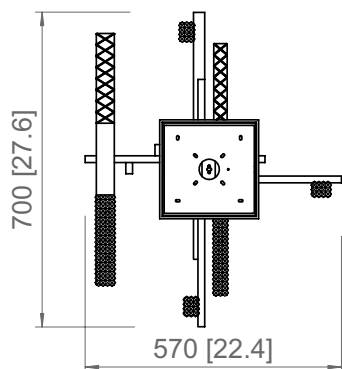
PRODOTTO / PRODUCT

BOX 1

PESO / WEIGHT
2 kg / 4.4 lbs

L: 32 cm / 12.6"
W: 22 cm / 8.6"
H: 13 cm / 5.1"

PESO / WEIGHT
3 kg / 6.6 lbs



PRODOTTO / PRODUCT

PESO / WEIGHT
14 kg / 30.8 lbs

BOX 1

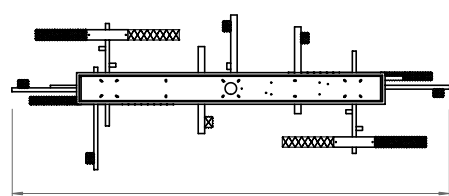
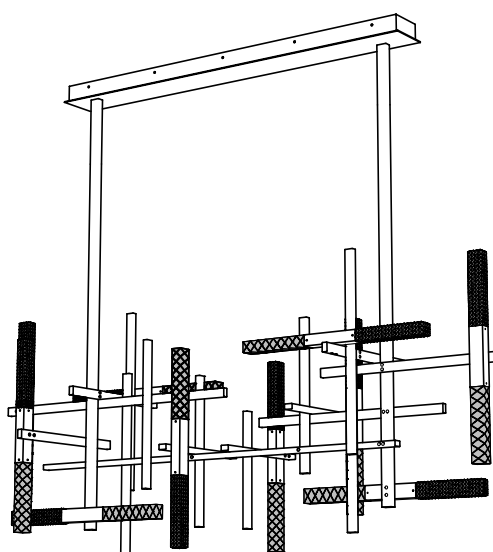
L: 81 cm / 31.8"
W: 67 cm / 26.3"
H: 102 cm / 40.1"

PESO / WEIGHT
12 kg / 26.4 lbs

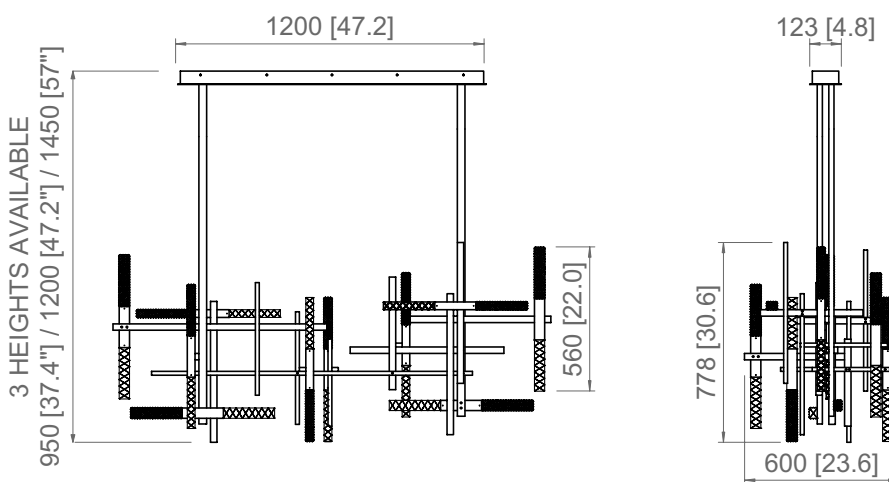
BOX 2

L: 43 cm / 16.9"
W: 43 cm / 16.9"
H: 17 cm / 6.7"

PESO / WEIGHT
4 kg / 8.8 lbs



1700 [66.9]



3 HEIGHTS AVAILABLE

950 [37.4] / 1200 [47.2] / 1450 [57"]

1200 [47.2]

560 [22.0]

123 [4.8]

778 [30.6]

600 [23.6]

PRODOTTO / PRODUCT

PESO / WEIGHT
39 kg / 85.9 lbs

BOX 1

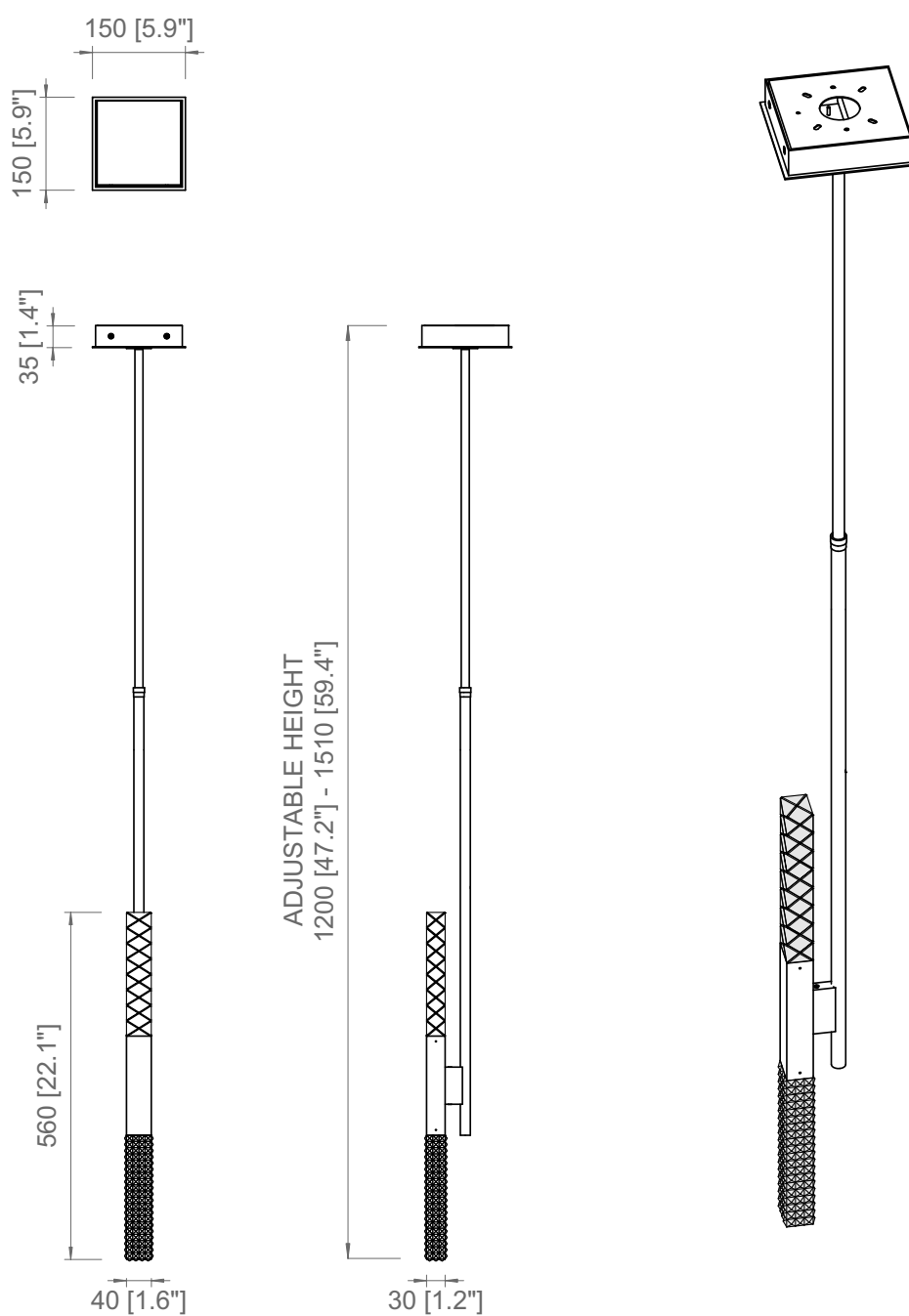
L: 180 cm / 70.8"
W: 72 cm / 28.3"
H: 150 cm / 59"

PESO / WEIGHT
36 kg / 79.3 lbs

BOX 2

L: 52 cm / 20.4"
W: 52 cm / 20.4"
H: 32 cm / 12.5"

PESO / WEIGHT
8,5 kg / 18.7 lbs



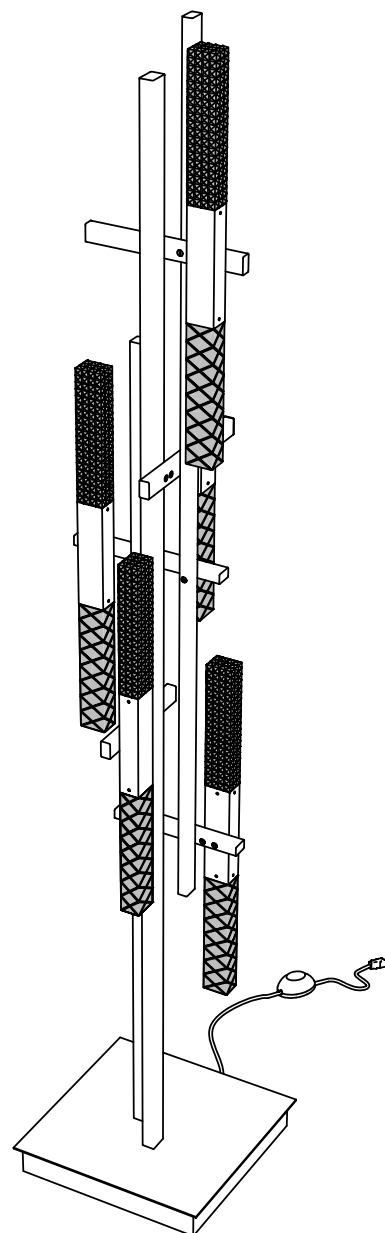
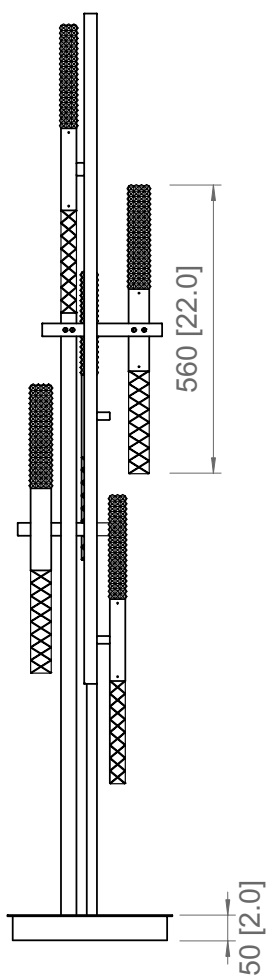
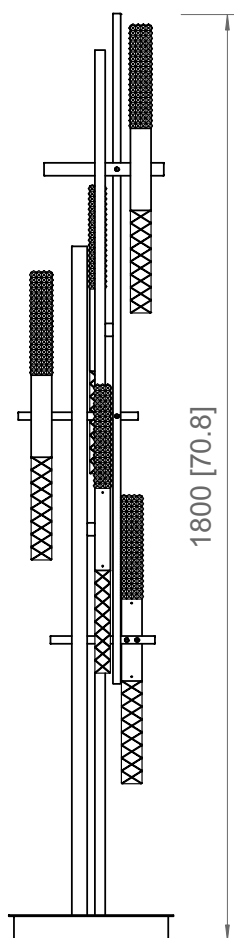
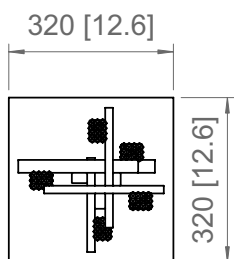
PRODOTTO / PRODUCT

PESO / WEIGHT
4 kg / 8.8 lbs

BOX 1

L: 22 cm / 8.6"
W: 22 cm / 8.6"
H: 125 cm / 49.2"

PESO / WEIGHT
5 kg / 11 lbs



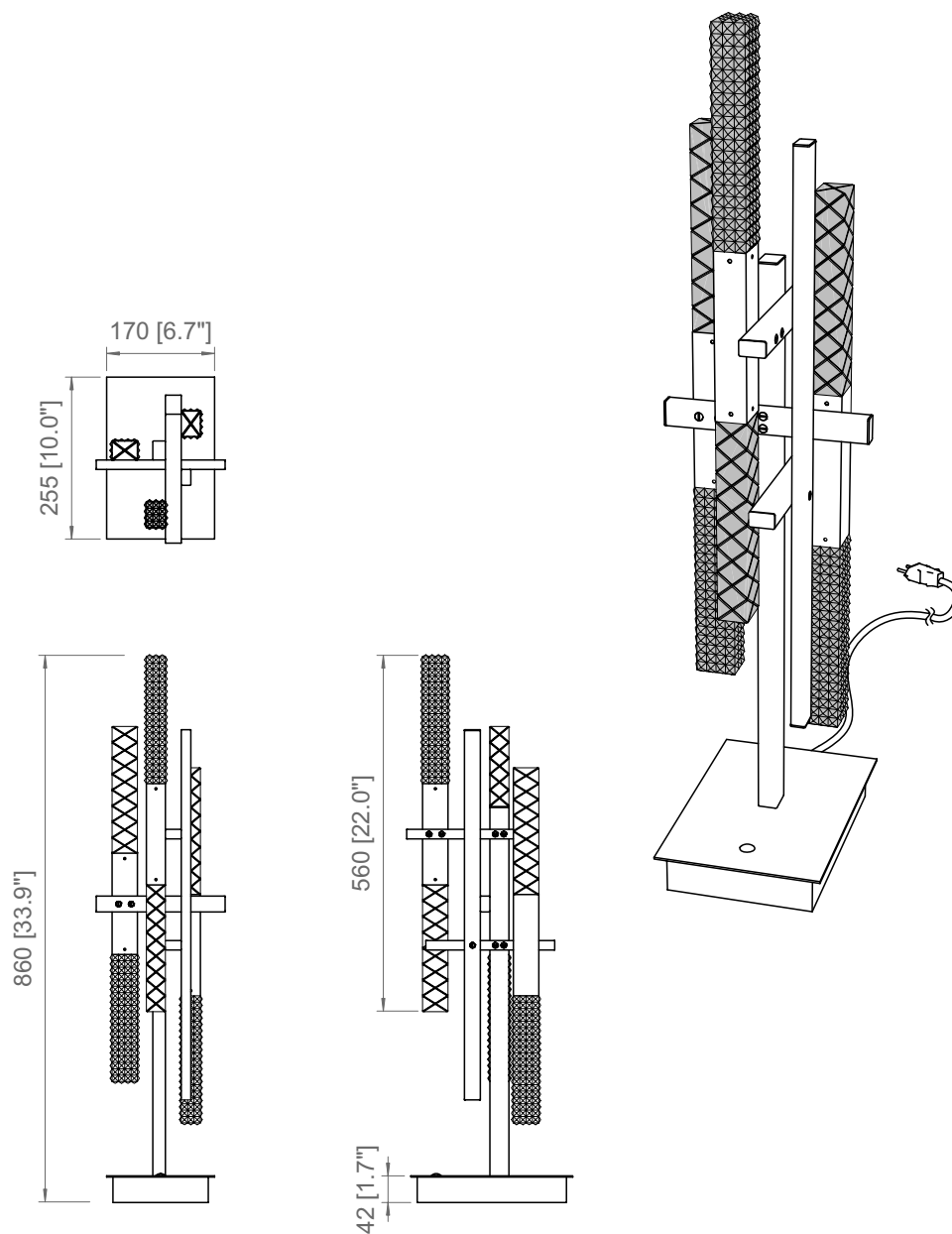
PRODOTTO / PRODUCT

PESO / WEIGHT
23 kg / 50.7 lbs

BOX 1

L: 45 cm / 17.7"
W: 45 cm / 17.7"
H: 192 cm / 75.6"

PESO / WEIGHT
25 kg / 55.1 lbs



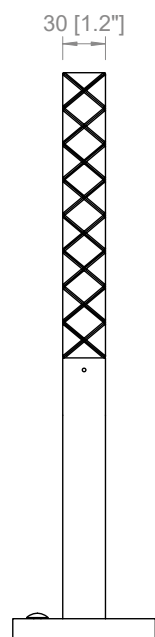
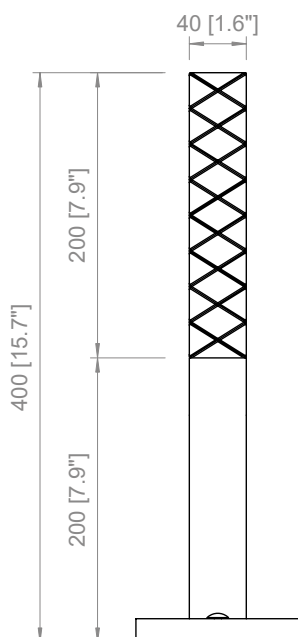
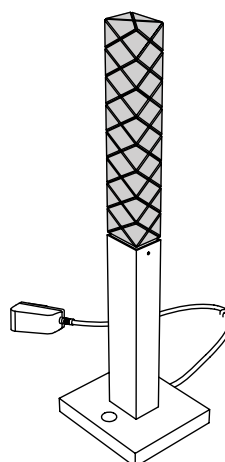
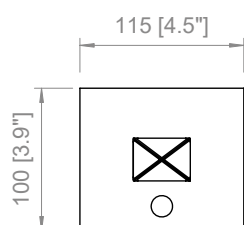
PRODOTTO / PRODUCT

PESO / WEIGHT
11 kg / 24.2 lbs

BOX 1

L: 36 cm / 14.1"
W: 36 cm / 14.1"
H: 89 cm / 35"

PESO / WEIGHT
12 kg / 26.4 lbs



PRODOTTO / PRODUCT

BOX 1

PESO / WEIGHT
2 kg / 4.4 lbs

L: 27 cm / 10.6"
W: 27 cm / 10.6"
H: 30 cm / 11.8"

PESO / WEIGHT
3 kg / 6.6 lbs



Copyright and/or design rights subsist in this drawing. No part of this drawing may be reproduced in any material form (including photocopying or storing in any medium electronic means, whether or not intentionally and whether or not as part or a larger publication) without the express permission of the copyright owner, Contardi Lighting S.r.l.. Further and without prejudice to the above, this drawing and all information relating thereto is confidential, and shall not be communicated to a third party without the consent of Contardi lighting srl. Contardi lighting srl asserts all rights to be identified as the author of the work and otherwise.

WARNING: The doing of any unauthorised act in relation to a copyright work may result in both a civil claim for damages and criminal prosecution.

CONTARDI LIGHTING Srl

ITALY HEADQUARTERS

www.contardi-italia.com / sales@contardi-italia.it

CONTARDI USA Inc

USA BRANCH

www.contardi-usa.com / sales@contardi-usa.com

