



MEDIUM - SMALL - LARGE



Lago, la nuova collezione di lampade outdoor disegnata da Servomuto. Lo stile elegante e ricercato, più affine ad un arredo domestico, trasferito all'esterno ne restituisce un uso quasi decontestualizzato.

La collezione trae ispirazione dal rigore e dalla semplicità della Typha, pianta tipica delle zone paludose che caratterizza gli argini di fiumi e laghi. Grazie alla sua forma elegante, negli anni 70 era un decoro molto tipico degli interni domestici. Come la pianta, anche la collezione Lago presenta tre altezze differenti - small, medium e large - con struttura in laccato nero opaco e dettagli in rame, che permettono alle lampade di vivere in gruppo creando una sorta di "foresta luminosa".

Oltre alla versione con base, è disponibile anche l'opzione a picchetto, direttamente piantata nel terreno, richiamando la forma della Typha e integrandosi meglio con l'ambiente esterno.

Come di consueto nei progetti di Servomuto, i paralumi dalla forma lineare ed essenziale sono rivestiti in tessuto Pierre Frey, disponibile in tre differenti finiture, Noumea Goyave, Bayamo Mimosa e Dominica Caraibes.

Lago, the new collection of outdoor lamps designed by Servomuto. The lamp's elegant and refined style, more familiar in a domestic setting, is here transferred to the outdoors, giving it an almost decontextualised use.

The collection is inspired by the vertical lines and simplicity of the Typha plant, typically found in marshy areas on the banks of rivers and lakes.

Thanks to its graceful shape, in the 1970s it was a very characteristic decoration of domestic interiors. Like the plant, the Lago collection also has three different sizes – small, medium and large – with a matt-black lacquered structure and copper details, which allow the lamps to be grouped together, creating the impression of a "luminous forest".

In addition to the version with base, a fence-mounted option is also available. Directly planted in the ground, this recalls the shape of the Typha plant and integrates better with the external environment.

As usual with Servomuto's projects, the lampshades have a linear and minimalist form, and are covered in Pierre Frey fabric. They are offered in three different finishes: Noumea Goyave, Bayamo Mimosa and Dominica Caraibes.

SPECIFICHE PRODOTTO / PRODUCT SPECIFICS

LAGO SMALL

LAGO SMALL - VERSIONE A PICCHETTO / PICKET VERSION

LAGO MEDIUM

LAGO LARGE

p.2

p.3

p.4

p.5

p.6

STRUTTURA / FRAME



Laccato nero opaco
Matt black lacquered



Laccato rame
Copper lacquered

PARALUME / SHADE



Tessuto Noumea Goyave
(Pierre Frey)
*Noumea Goyave
(Pierre Frey)*



Tessuto Dominica Caraibes
(Pierre Frey)
*Dominica Caraibes
(Pierre Frey)*



Tessuto Bayamo Mimosa
(Pierre Frey)
*Bayamo Mimosa
(Pierre Frey)*

NOTE:

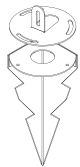
1. Fornita solo con connettore IP68. In caso di collegamento con spina, il grado di protezione passa da IP65 a IP44.

NOTES:

1. Supplied only with IP68 connector. In case of connection with a plug, the degree of protection changes from IP65 to IP44.

ANCORAGGIO A TERRENO / GROUND ANCHORING

Ancoraggio a terreno
Ground anchoring



CAVO / CABLE

Cavo nero
Connettore IP68 per esterni
Black cable
IP68 outdoor connector



L: 2000 mm
L: 78.7"

FONTE LUMINOSA / LIGHT SOURCE

220-240V

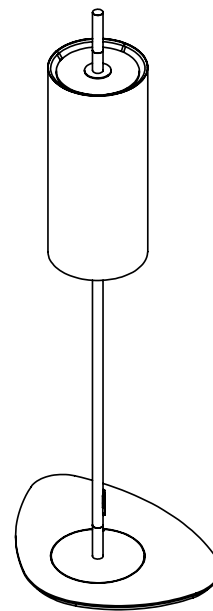
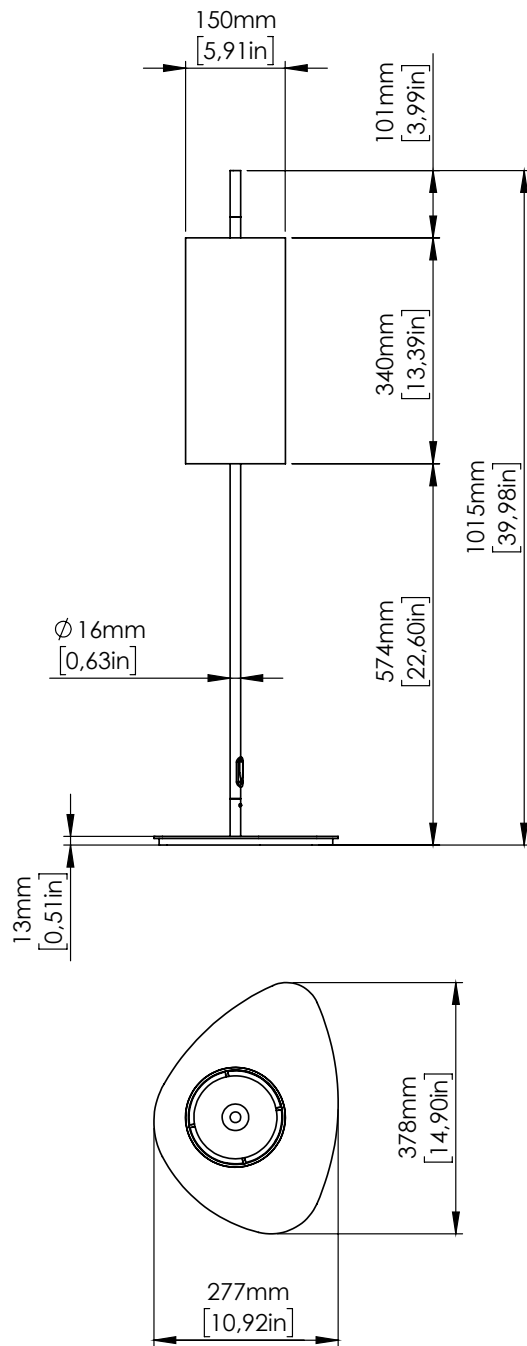
1 x 9W E27 T8 Tubular LED
IP65

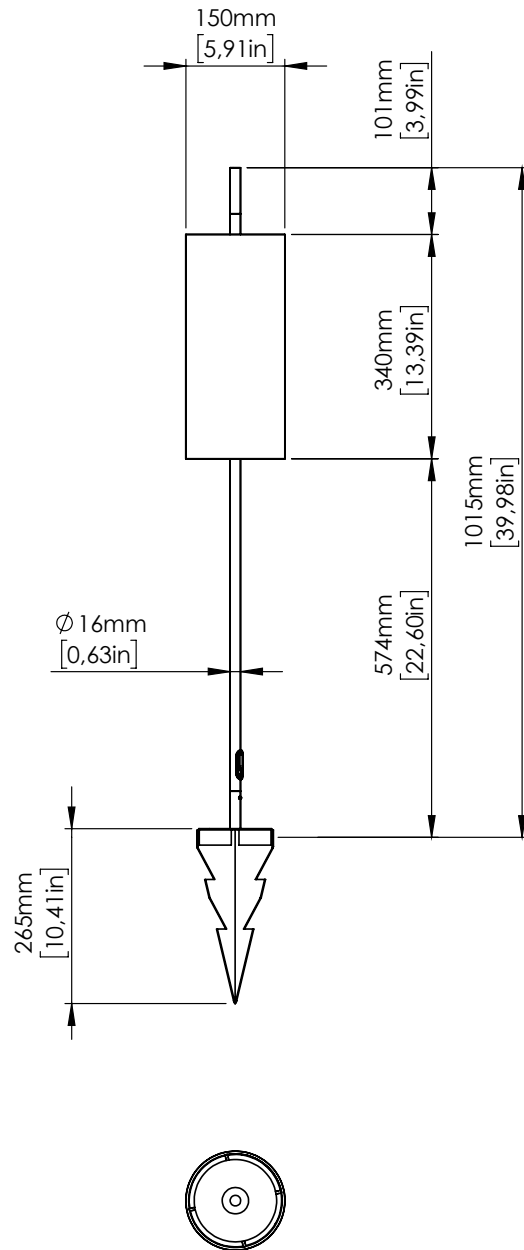


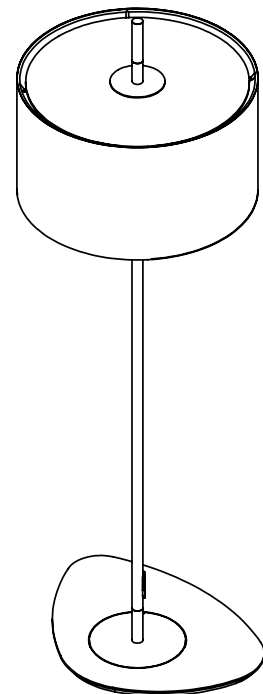
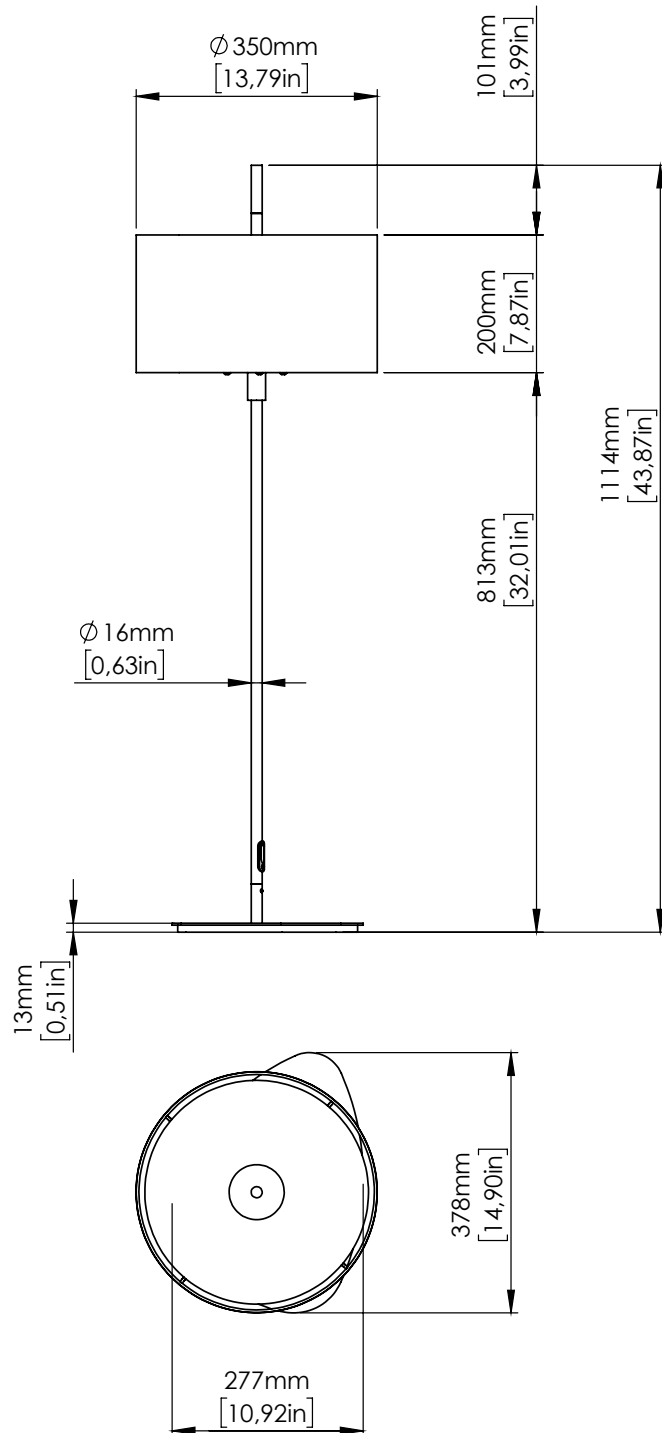
110V

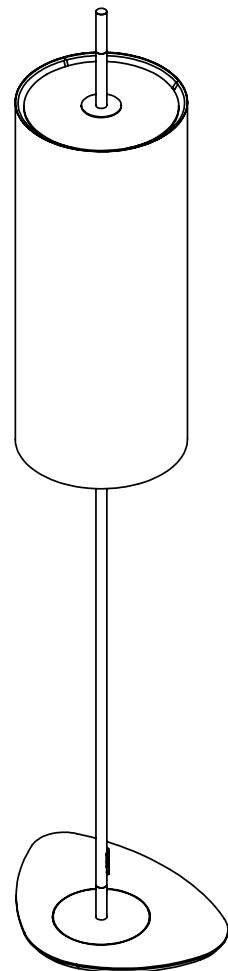
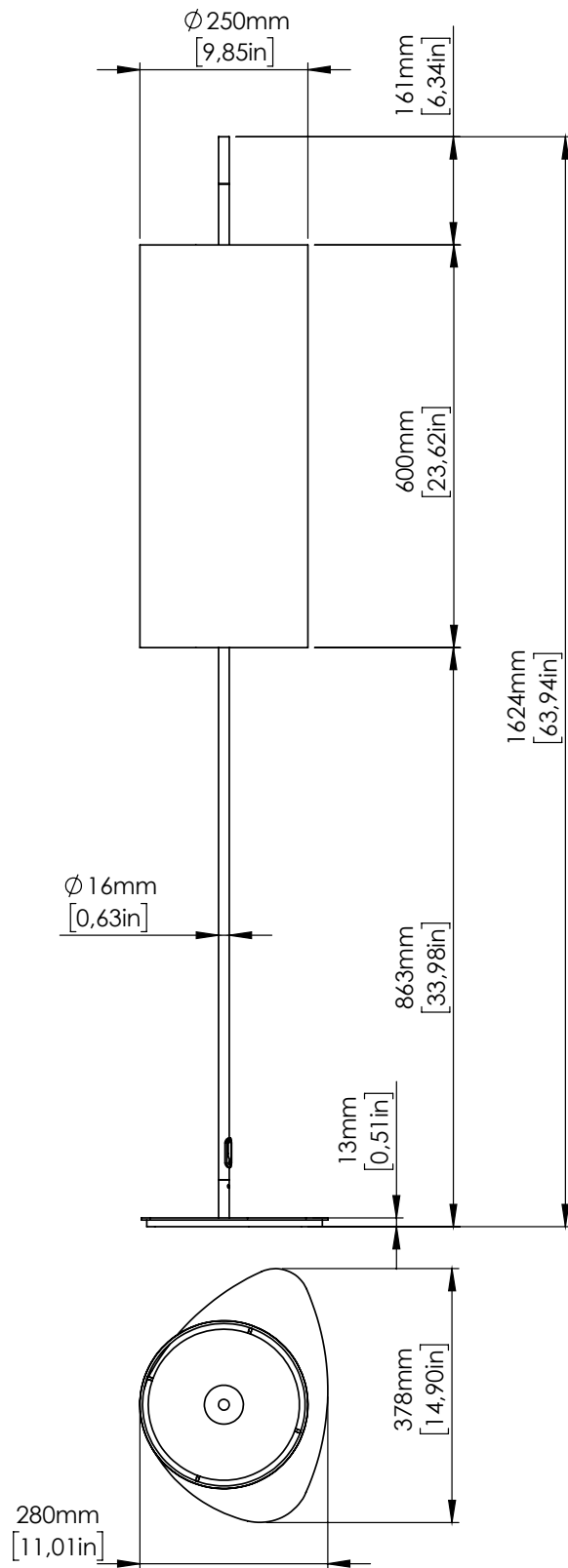
1 x 9W E27 T8 Tubular LED
IP65











Copyright and/or design rights subsist in this drawing. No part of this drawing may be reproduced in any material form (including photocopying or storing in any medium electronic means, whether or not intentionally and whether or not as part or a larger publication) without the express permission of the copyright owner, Contardi Lighting S.r.l.. Further and without prejudice to the above, this drawing and all information relating thereto is confidential, and shall not be communicated to a third party without the consent of Contardi lighting srl. Contardi lighting srl asserts all rights to be identified as the author of the work and otherwise.

WARNING: The doing of any unauthorised act in relation to a copyright work may result in both a civil claim for damages and criminal prosecution.

CONTARDI LIGHTING Srl

ITALY HEADQUARTERS

www.contardi-italia.com / sales@contardi-italia.it

CONTARDI USA Inc

USA BRANCH

www.contardi-usa.com / sales@contardi-usa.com

