

# Emma

Contardi Studio



TA



AP



PL



SPECIFICHE PRODOTTO / PRODUCT SPECIFICS

EMMA TA

p.2

EMMA AP

p.3

EMMA PL

p.4

p.5

**STRUTTURA / FRAME**



Marmo verde Guatemala  
*Green Guatemala marble*



Marmo bianco Calacatta  
*White Calacatta marble*

**STRUTTURA / FRAME**



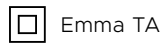
Sfera bianco opale  
*White opal globe*

**FONTE LUMINOSA / LIGHT SOURCE**

**220-240V**

1 x G9 LED  
IP20

**DIMMERABILE / DIMMABLE**

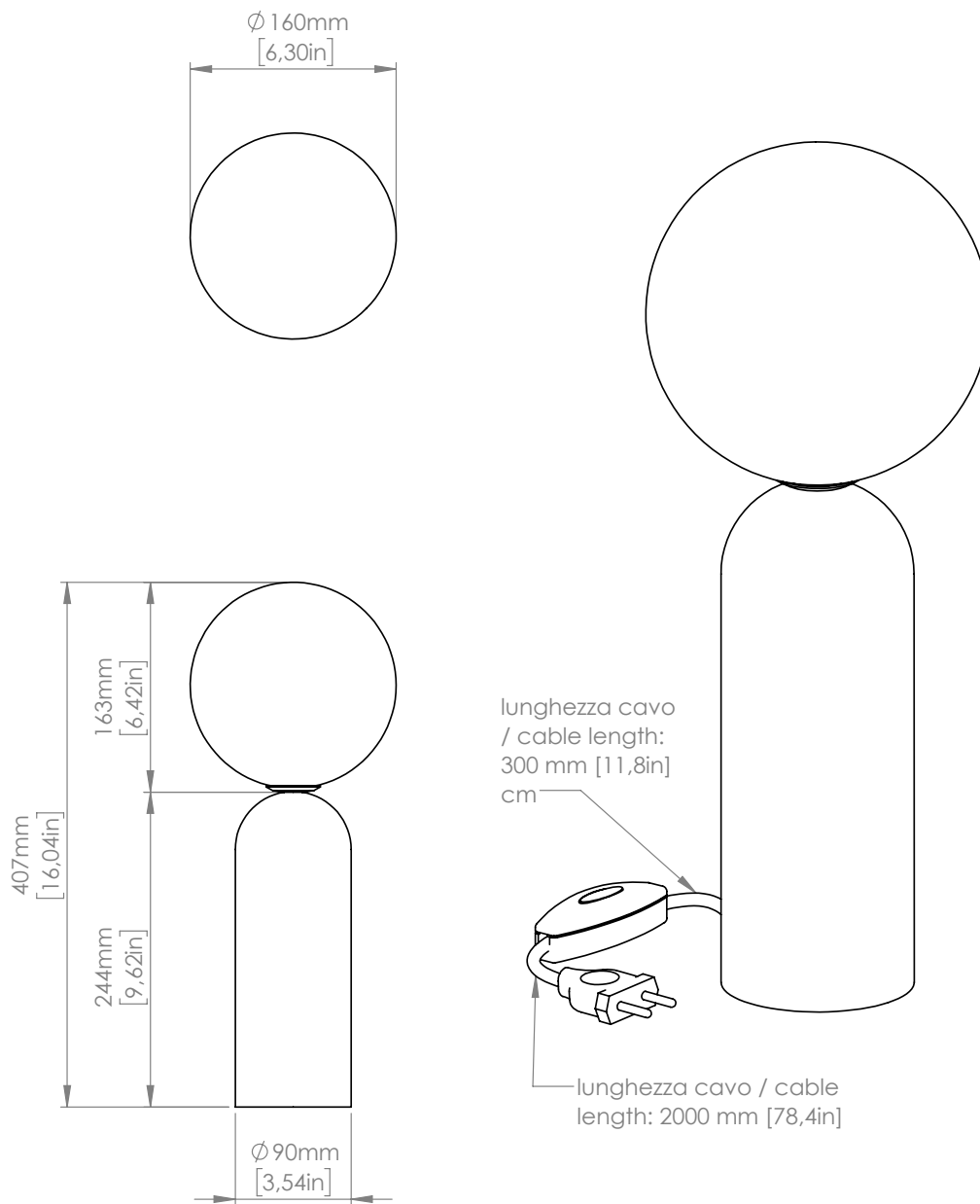


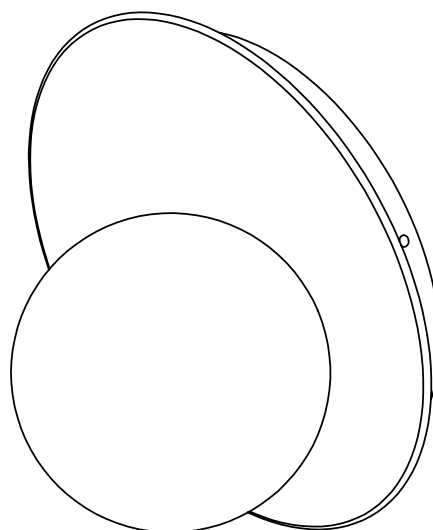
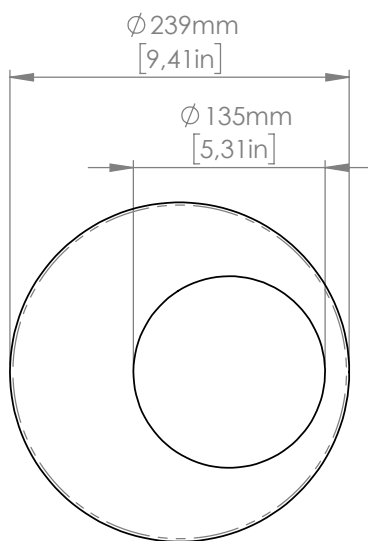
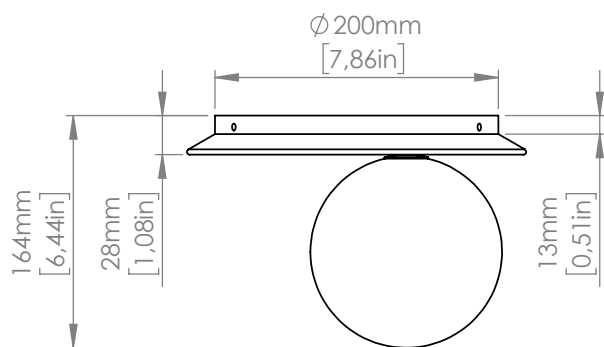
**110V**

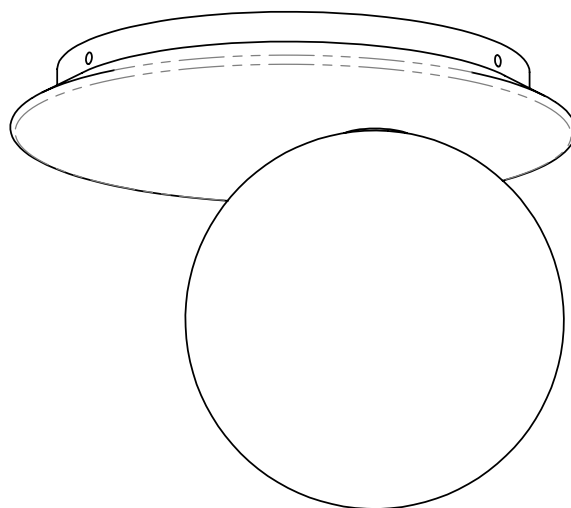
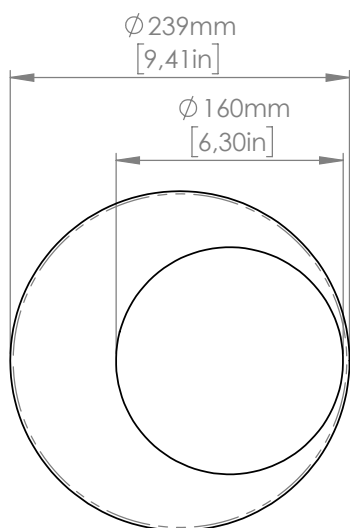
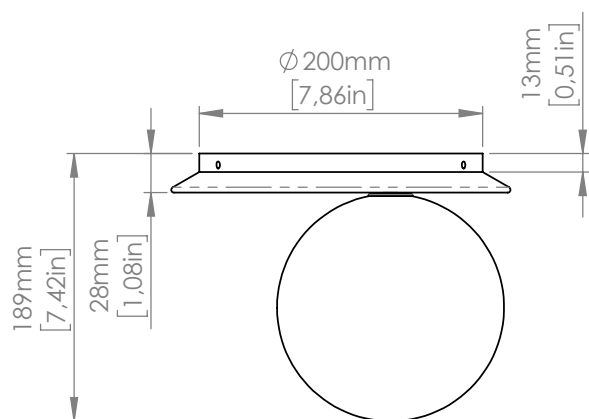
1 x G9 LED  
IP20

**DIMMABLE**









Copyright and/or design rights subsist in this drawing. No part of this drawing may be reproduced in any material form (including photocopying or storing in any medium electronic means, whether or not intentionally and whether or not as part or a larger publication) without the express permission of the copyright owner, Contardi Lighting S.r.l.. Further and without prejudice to the above, this drawing and all information relating thereto is confidential, and shall not be communicated to a third party without the consent of Contardi lighting srl. Contardi lighting srl asserts all rights to be identified as the author of the work and otherwise.

WARNING: The doing of any unauthorised act in relation to a copyright work may result in both a civil claim for damages and criminal prosecution.

---

**CONTARDI LIGHTING Srl**

ITALY HEADQUARTERS

[www.contardi-italia.com](http://www.contardi-italia.com) / [sales@contardi-italia.it](mailto:sales@contardi-italia.it)

**CONTARDI USA Inc**

USA BRANCH

[www.contardi-usa.com](http://www.contardi-usa.com) / [sales@contardi-usa.com](mailto:sales@contardi-usa.com)

