

CALYPSO MARTINIQUE (USA)

TECHNICAL SHEET

LOCATION : indoor

IP CODE : IP20

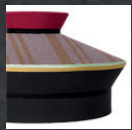
TPOLOGY : Suspended lamp

FINISHES and MATERIALS :

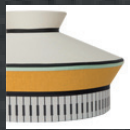
Satin brass body

Transparent glass diffuser

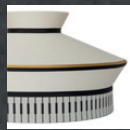
SHADE :



BLACK



YELLOW



BUILDING



WHITE

CABLE

MATERIAL :

Moss green braided silk

LENGTH OF THE CABLE :

63 inc

LIGHT SOURCE

LIGHT SOURCE *not included* :

1 x E26 Compact fluorescent bulb

POWER : max 23 W

Suitable for LED or compact fluorescent bulbs (CFL)

BOX SIZES

Box 1:

WIDTH : 21.7 inc

DEPTH : 9.5 inc

HIGHT : 11.8 inc

WEIGHT : 7.8 lb

Box 2:

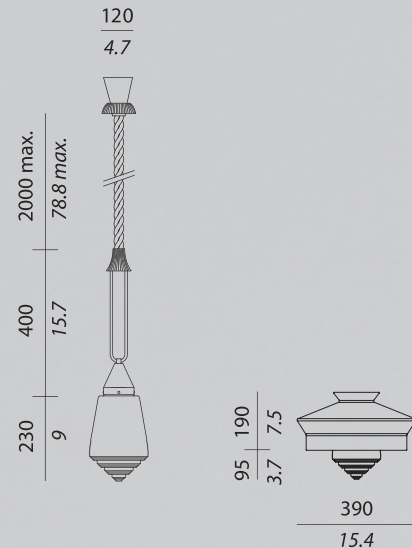
WIDTH : 17 inc

DEPTH : 17 inc

HIGHT : 10.3 inc

WEIGHT : 3.3 lb

TECHNICAL DRAWINGS



CERTIFICATION

