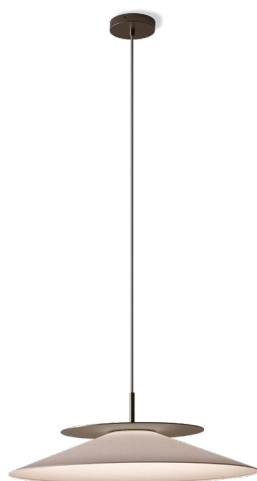


Asia

Federico Peri



AP/PL



SO



TA



SPECIFICHE PRODOTTO / PRODUCT SPECIFICS

ASIA AP/PL SMALL
ASIA AP/PL MEDIUM
ASIA AP/PL LARGE

p.2

ASIA SO MEDIUM
ASIA SO LARGE

p.3

p.4

p.5

ASIA TA SMALL
ASIA TA MEDIUM

p.6

p.7

p.8

p.9

STRUTTURA / FRAME



Nickel "dorato" satinato
"Golden" nickel finish



Bronzo-nickel spazzolato
Brushed bronze-nickel

PARALUME / SHADES



Cotone bianco
White cotton

DIFFUSORE / DIFFUSER



Vetro bianco opale
White opal glass

FONTE LUMINOSA / LIGHT SOURCE

220-224V



AP / PL / SO

1 x COB LED 60W max
~ 5500 Lm @ 1A nominali / nominal
2700 °K; CRI>90
IP20



TA

1 X Strip LED 20W
2300 Lm nominali / nominal
2700 °K; CRI>90
IP20

DIMMERABILE / DIMMABLE



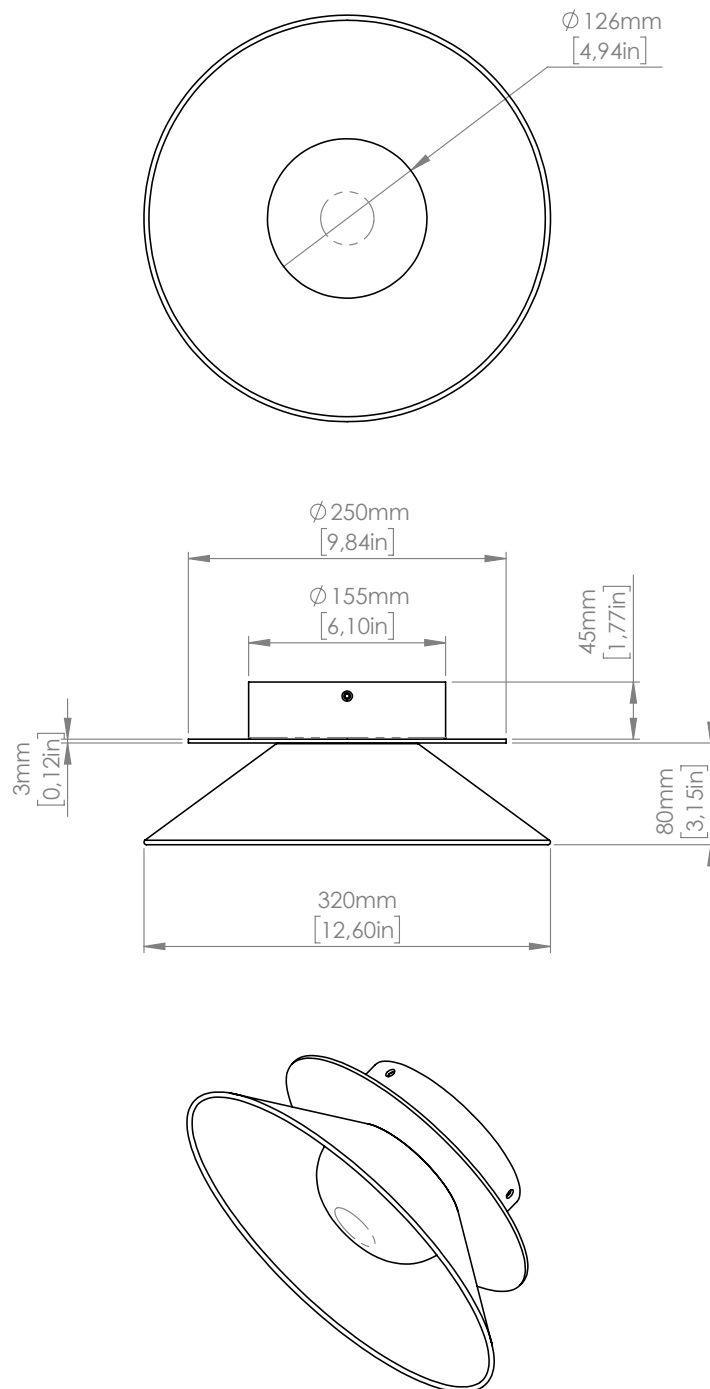
Asia TA e SO

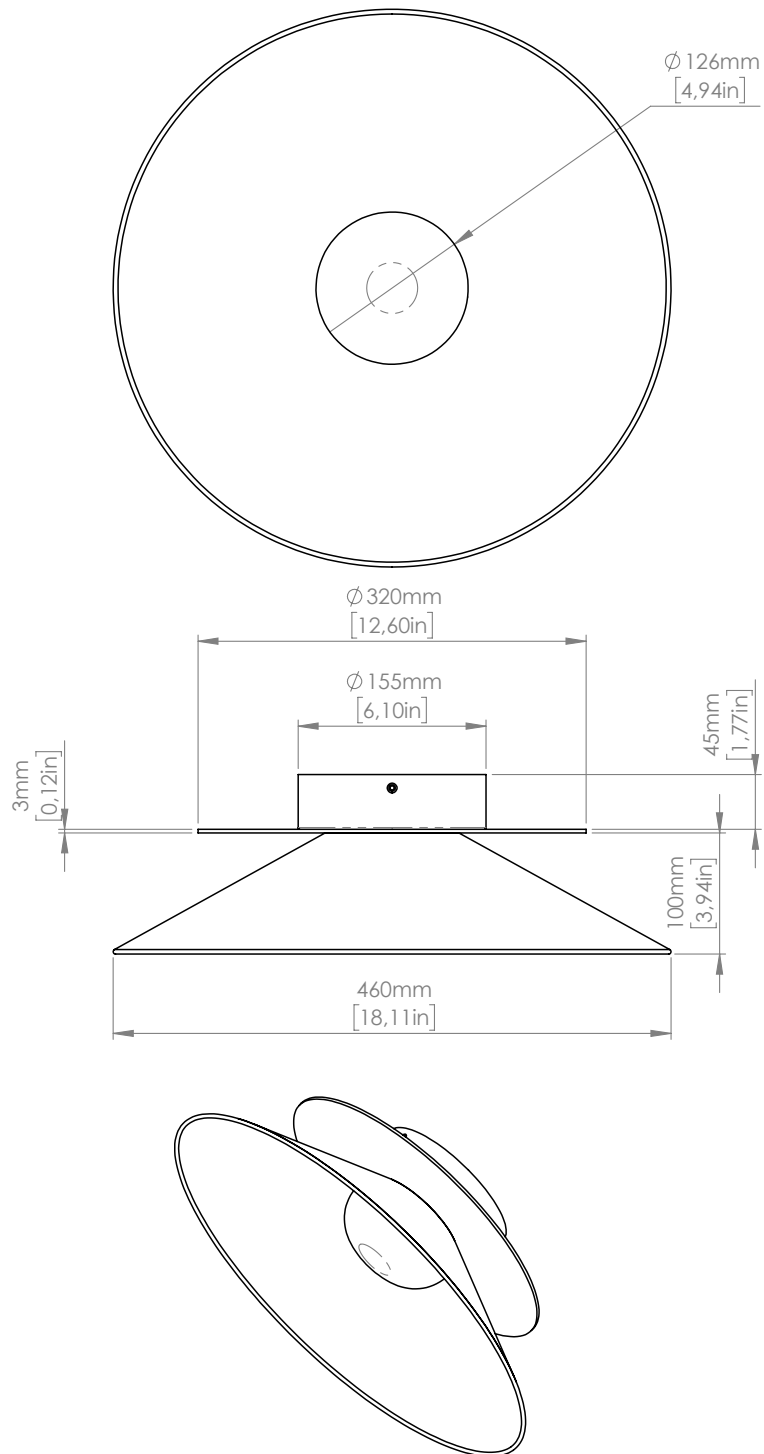
110V

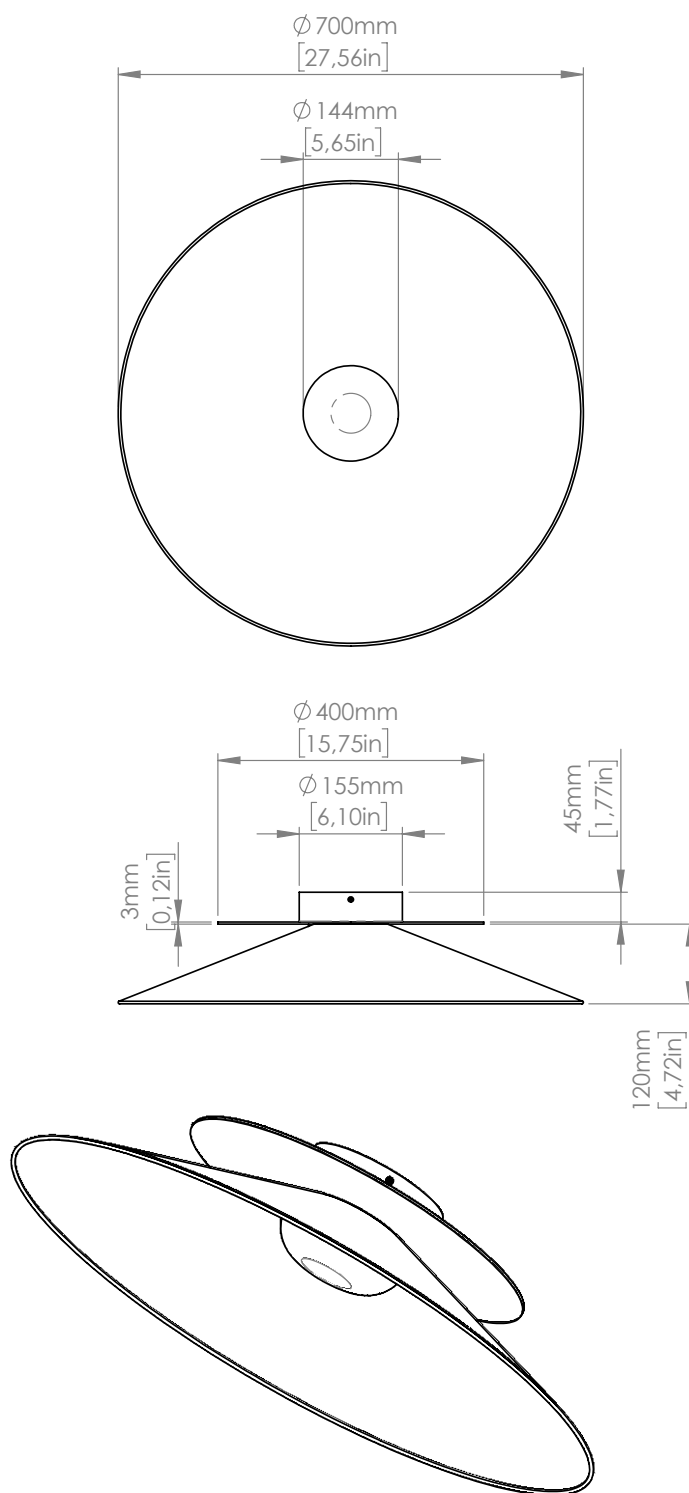


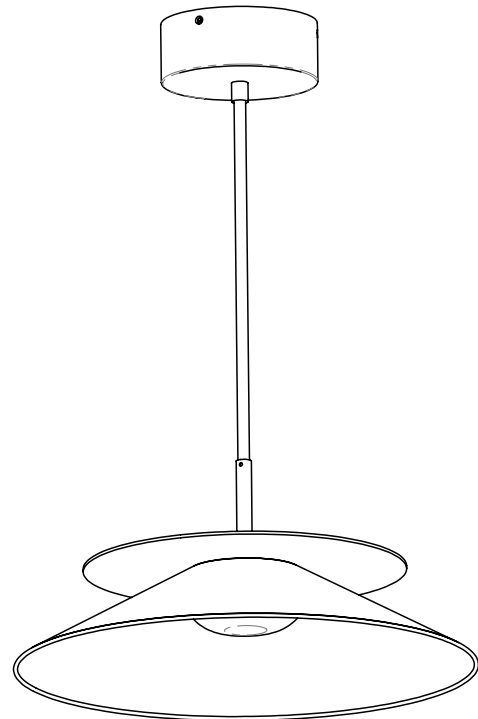
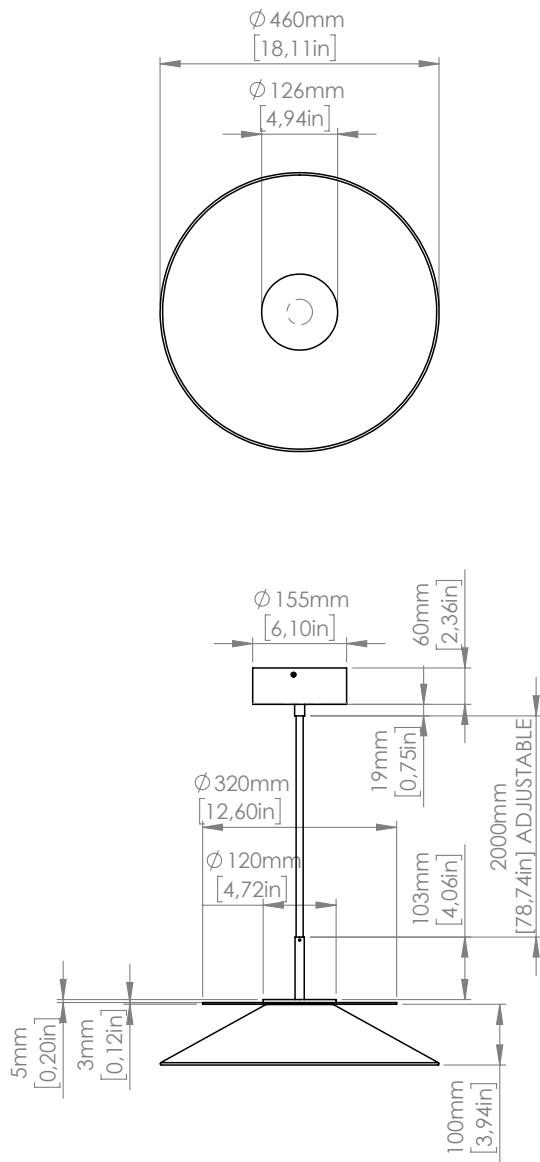
AP / PL / SO

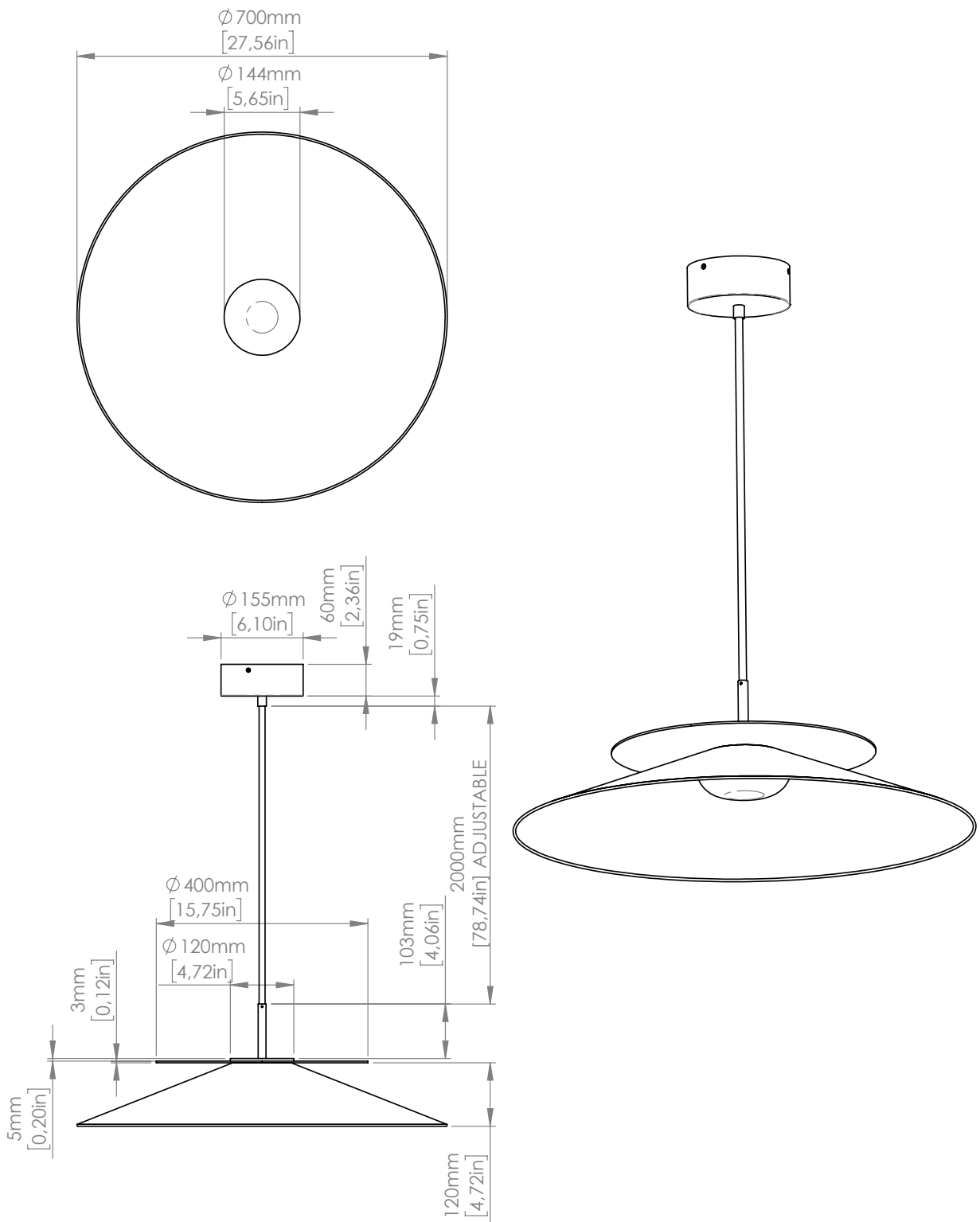
1 x COB LED 60W max
~ 5500 Lm @ 1A nominal
2700 °K; CRI>90
IP20

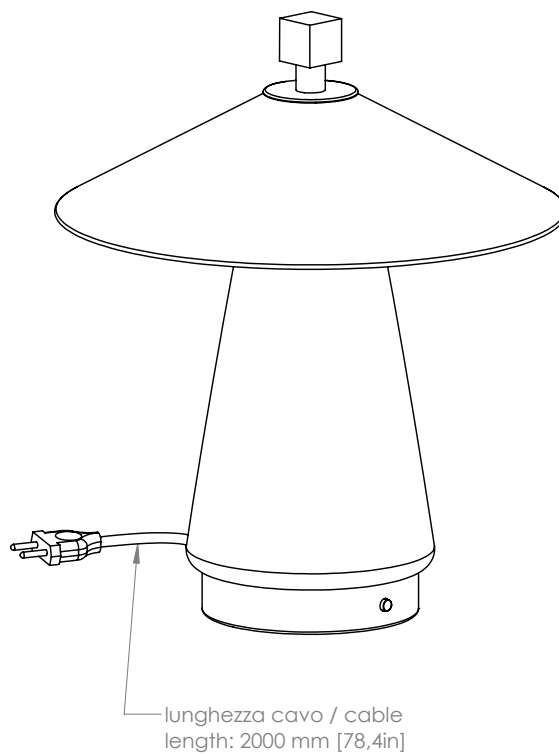
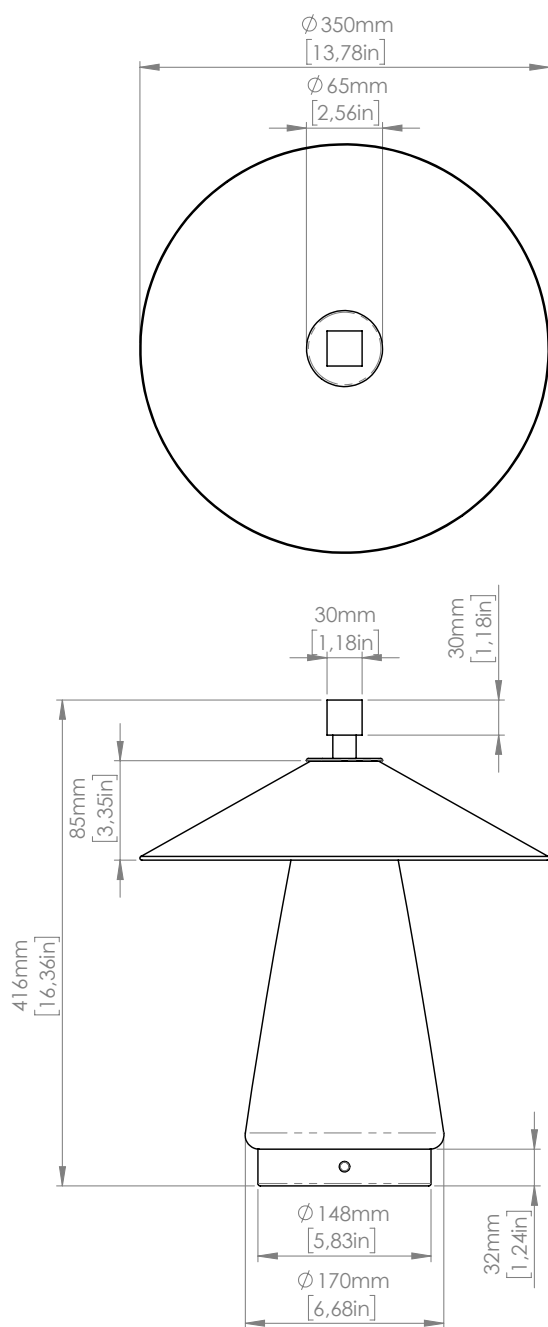


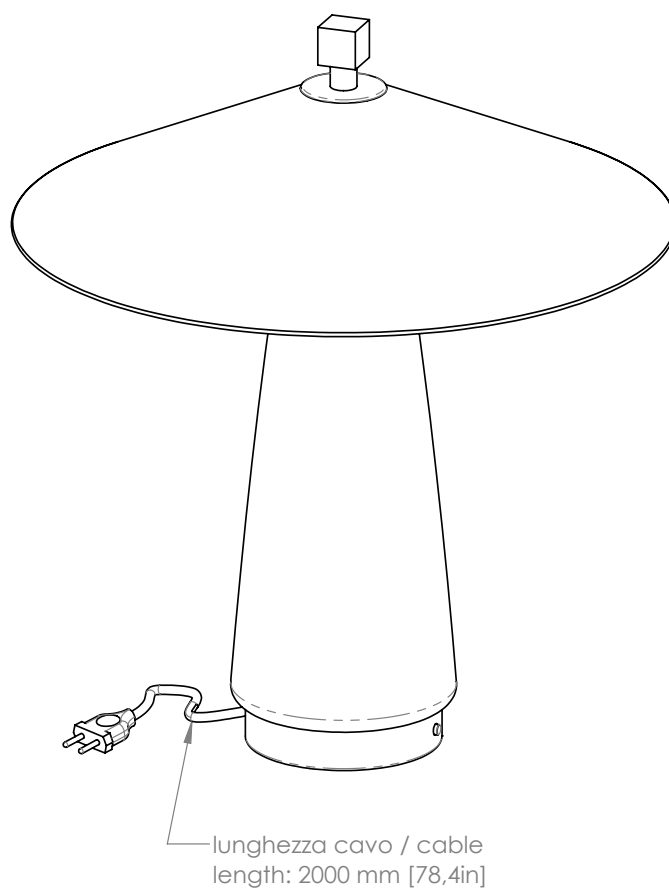
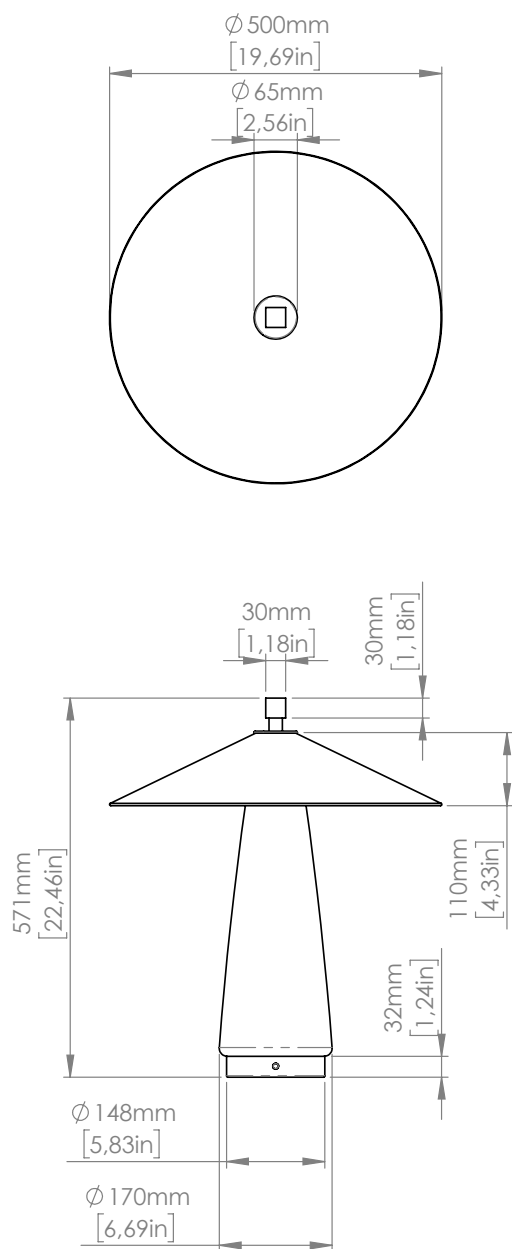












Copyright and/or design rights subsist in this drawing. No part of this drawing may be reproduced in any material form (including photocopying or storing in any medium electronic means, whether or not intentionally and whether or not as part or a larger publication) without the express permission of the copyright owner, Contardi Lighting S.r.l.. Further and without prejudice to the above, this drawing and all information relating thereto is confidential, and shall not be communicated to a third party without the consent of Contardi lighting srl. Contardi lighting srl asserts all rights to be identified as the author of the work and otherwise.

WARNING: The doing of any unauthorised act in relation to a copyright work may result in both a civil claim for damages and criminal prosecution.

CONTARDI LIGHTING Srl

ITALY HEADQUARTERS

www.contardi-italia.com / sales@contardi-italia.it

CONTARDI USA Inc

USA BRANCH

www.contardi-usa.com / sales@contardi-usa.com

