

# Calle, perennial *elegance.*

design Draw  
terzani.com



## Product Name

Calle  
pendant light

## Materials

clear crystal (24% lead)

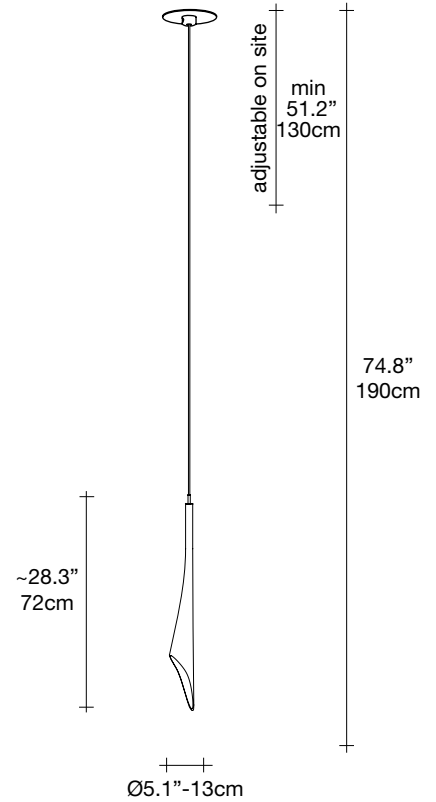
## Finishes | Code



white disc/clear  
OT01S E8 A9 KK

## Body

NO DRIVER INCLUDED



## Recommended Light

12V ~ 50/60Hz



XENON BI-PIN T3  
20W G4 12V

or



LED  
2W G4 12V

dimnable drivers available



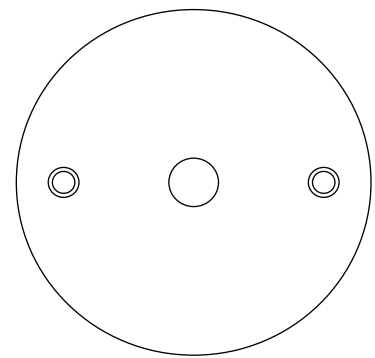
IGBT  
TRIAC

## Disc

0.6"  
1,4cm



Ø2.9"  
7,5cm



At Terzani, we spend countless days searching the globe for talented new designers, but sometimes they find us. Such is the case with the young designers Luca Martorano and Mattia Albicini who approached us with the design for Calle, a fantastic new light we instantly fell in love with. It showcases our skill at crafting crystal to take the material to an exciting, modern place. Luca and Mattia worked with our craftsmen to create a slender inverted flute of 24% lead crystal that, like the calla lily it mimics, can be grouped into stunning bouquets of light. Design Luca Martorano and Mattia Albicini.

lbs 3.3  
kg 1,5

lbs 6.6  
kg 3

32.7" x 9.8" x 10.2"  
83 x 25 x 26 cm

# Calle, perennial *elegance.*

design Draw  
terzani.com



### Product Name

Calle  
pendant light

### Materials

clear crystal (24% lead)

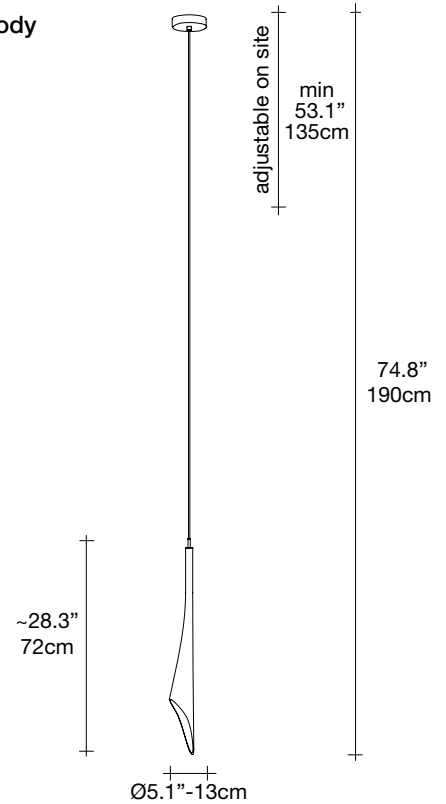


### Finishes | Code



clear  
OT01S E8 A9

### Body



### Recommended Light

120V ~ 50/60Hz



XENON BI-PIN T3  
20W G4 12V

or



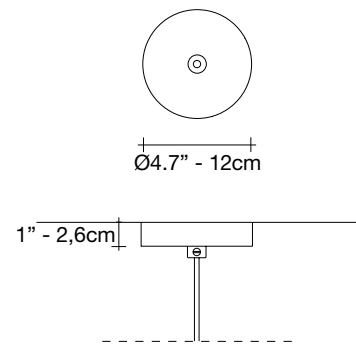
LED  
2W G4 12V

dimmable with



IGBT  
TRIAC

### Canopy | white



At Terzani, we spend countless days searching the globe for talented new designers, but sometimes they find us. Such is the case with the young designers Luca Martorano and Mattia Albicini who approached us with the design for Calle, a fantastic new light we instantly fell in love with. It showcases our skill at crafting crystal to take the material to an exciting, modern place. Luca and Mattia worked with our craftsmen to create a slender inverted flute of 24% lead crystal that, like the calla lily it mimics, can be grouped into stunning bouquets of light. Design Luca Martorano and Mattia Albicini.



lbs 3.3  
kg 1,5



lbs 6.6  
kg 3



32.7" x 9.8" x 10.2"  
83 x 25 x 26 cm

# Calle, perennial *elegance.*

design Draw  
terzani.com




**Product Name**  
Calle  
3 round multi light pendant

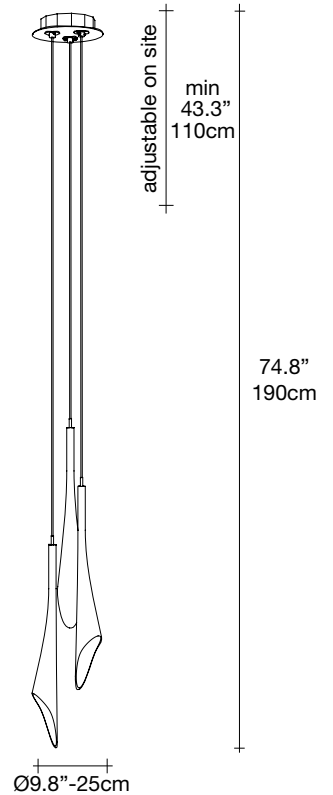
**Materials**  
clear crystal (24% lead)



**Finishes | Code**

 clear  
OT03S E8 A9

**Body**




**Recommended Light**

120V ~ 50/60Hz

 XENON BI-PIN T3  
3 x 20W G4 12V

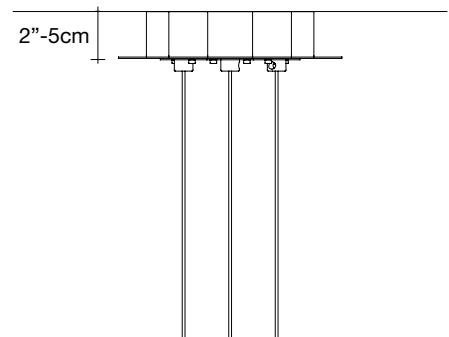
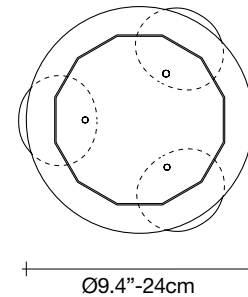
or

 LED  
3 x 2W G4 12V

**dimnable with**

 IGBT  
TRIAC

**Canopy | white**



At Terzani, we spend countless days searching the globe for talented new designers, but sometimes they find us. Such is the case with the young designers Luca Martorano and Mattia Albicini who approached us with the design for Calle, a fantastic new light we instantly fell in love with. It showcases our skill at crafting crystal to take the material to an exciting, modern place. Luca and Mattia worked with our craftsmen to create a slender inverted flute of 24% lead crystal that, like the calla lily it mimics, can be grouped into stunning bouquets of light. Design Luca Martorano and Mattia Albicini.

# Calle, perennial *elegance.*

design Draw  
terzani.com




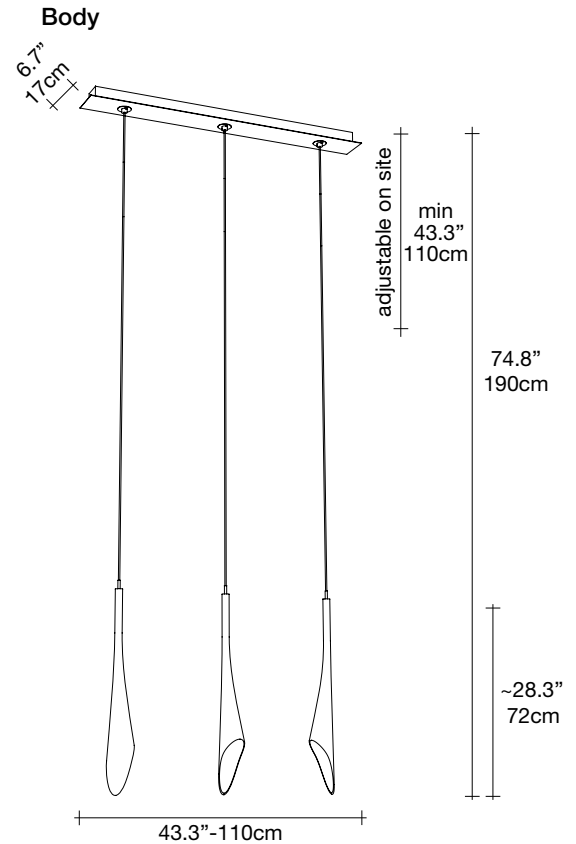
**Product Name**  
Calle  
3 linear multi light pendant

**Materials**  
clear crystal (24% lead)

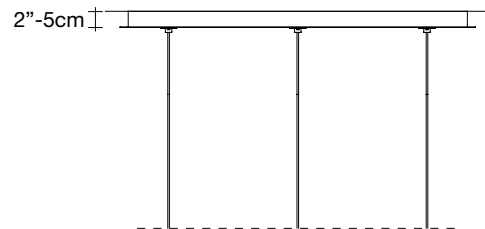
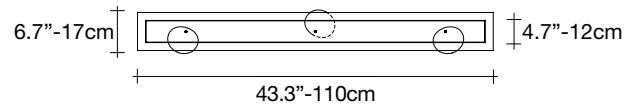


**Finishes | Code**

 clear  
OT03S E8 A9 R



**Canopy | white**



**Recommended Light**  
120V ~ 50/60Hz

 XENON BI-PIN T3  
3 x 20W G4 12V





or

 LED  
3 x 2W G4 12V

**dimmable with**

 IGBT  
TRIAC

At Terzani, we spend countless days searching the globe for talented new designers, but sometimes they find us. Such is the case with the young designers Luca Martorano and Mattia Albicini who approached us with the design for Calle, a fantastic new light we instantly fell in love with. It showcases our skill at crafting crystal to take the material to an exciting, modern place. Luca and Mattia worked with our craftsmen to create a slender inverted flute of 24% lead crystal that, like the calla lily it mimics, can be grouped into stunning bouquets of light. Design Luca Martorano and Mattia Albicini.

 lbs 19.8	 lbs 1x 14.3	 1x 46" x 11.4" x 6.3"
kg 9	1x 15.4	1x 31.1" x 15" x 19.3"
	 kg 1x 6,5	1x 117 x 29 x 16 cm
	1x 7	1x 79 x 38 x 49 cm

# Calle, perennial *elegance.*

design Draw  
terzani.com




**Product Name**  
Calle  
5 round multi light pendant

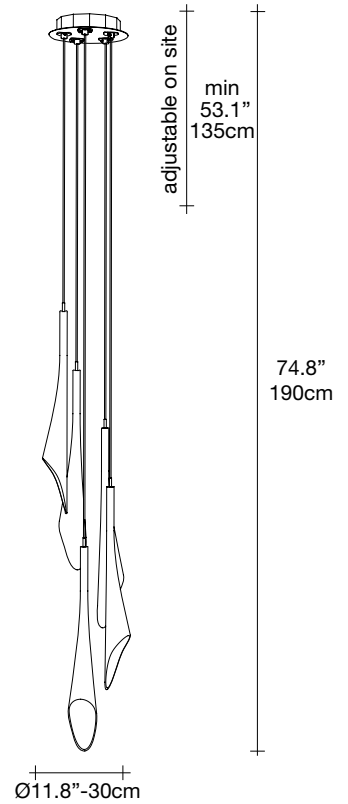
**Materials**  
clear crystal (24% lead)



**Finishes | Code**

 clear  
OT05S E8 A9

**Body**



**Recommended Light**

120V ~ 50/60Hz

 XENON BI-PIN T3  
5 x 20W G4 12V

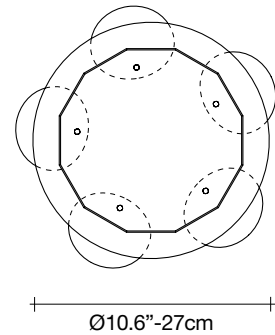
or

 LED  
5 x 2W G4 12V

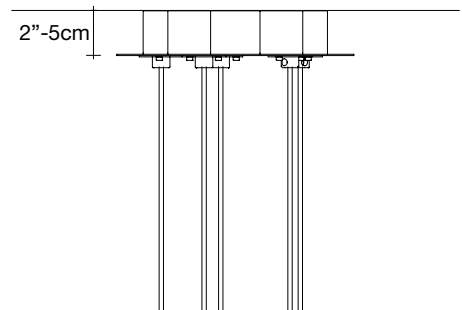
dimmable with

 IGBT  
TRIAC

**Canopy | white**



At Terzani, we spend countless days searching the globe for talented new designers, but sometimes they find us. Such is the case with the young designers Luca Martorano and Mattia Albicini who approached us with the design for Calle, a fantastic new light we instantly fell in love with. It showcases our skill at crafting crystal to take the material to an exciting, modern place. Luca and Mattia worked with our craftsmen to create a slender inverted flute of 24% lead crystal that, like the calla lily it mimics, can be grouped into stunning bouquets of light. Design Luca Martorano and Mattia Albicini.



# Calle, perennial *elegance.*

design Draw  
terzani.com



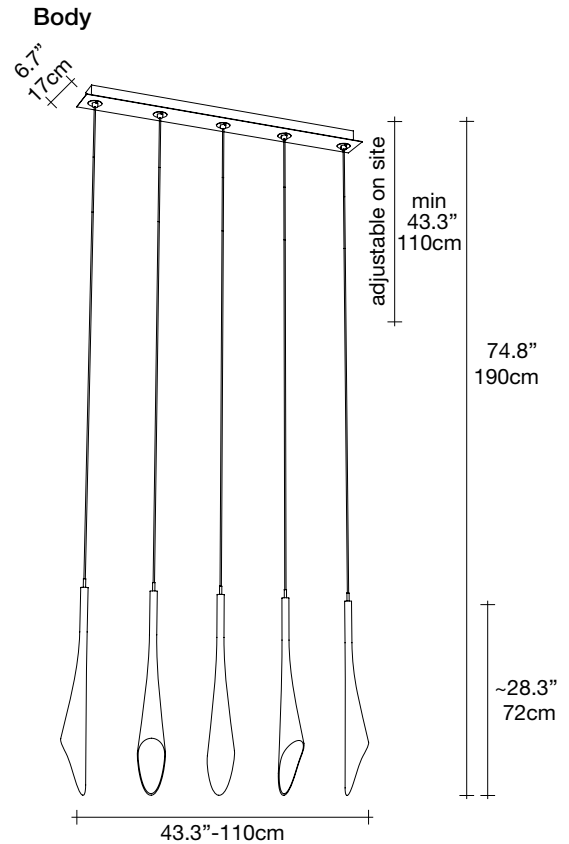
**Product Name**  
Calle  
5 linear multi light pendant

**Materials**  
clear crystal (24% lead)

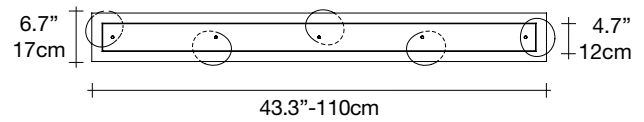


**Finishes | Code**

 clear  
OT05S E8 A9 R



**Canopy | white**



**Recommended Light**  
120V ~ 50/60Hz

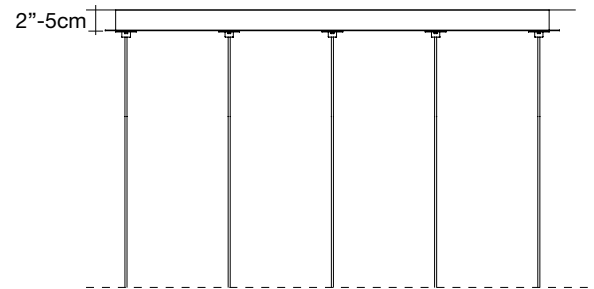
 XENON BI-PIN T3  
5 x 20W G4 12V

or





 LED  
5 x 2W G4 12V

**dimmable with**

 IGBT  
TRIAC



At Terzani, we spend countless days searching the globe for talented new designers, but sometimes they find us. Such is the case with the young designers Luca Martorano and Mattia Albicini who approached us with the design for Calle, a fantastic new light we instantly fell in love with. It showcases our skill at crafting crystal to take the material to an exciting, modern place. Luca and Mattia worked with our craftsmen to create a slender inverted flute of 24% lead crystal that, like the calla lily it mimics, can be grouped into stunning bouquets of light. Design Luca Martorano and Mattia Albicini.

 lbs 27.5	 lbs 1x 14.3	 1x 46" x 11.4" x 6.3"
kg 12,5	1x 25,3	1x 30.3" x 30.3" x 11.8"
	 kg 1x 6,5	1x 117 x 29 x 16 cm
	1x 11,5	1x 77 x 77 x 30 cm